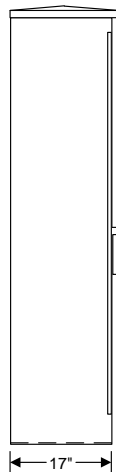
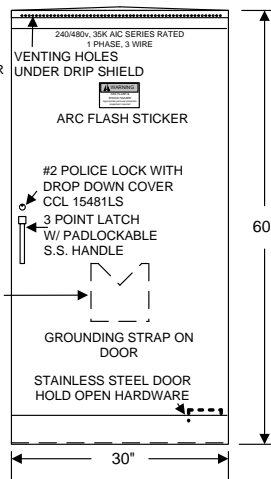


**WISDOT 240/480 30"W  
LIGHTING CABINET**

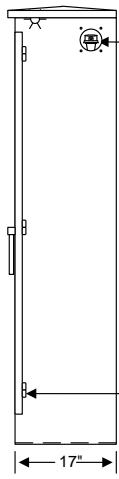
**LEFT SIDE VIEW**



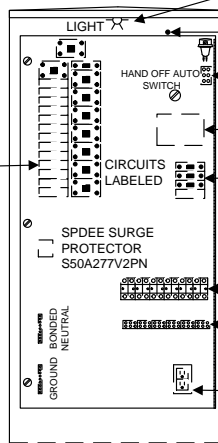
**FRONT VIEW**



**RIGHT SIDE VIEW**

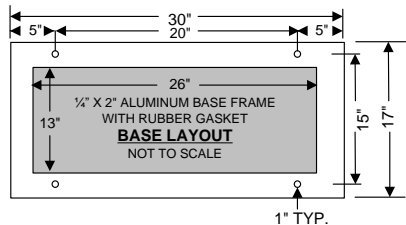
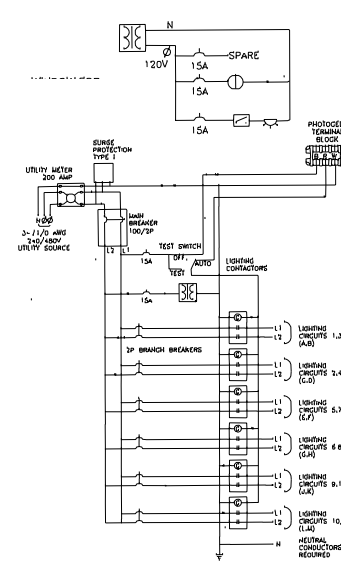


**INTERIOR COMPONENTS**



- LED CEILING MOUNT LIGHT PENTAIR LEDA1S35
- 1.5KVA TRANSFORMER
- BUTTON TYPE LIGHT SWITCH TO TURN LIGHT ON WHEN DOOR IS OPEN
- PHOTOCELL TERMINAL BLOCK
- 1.5KVA TRANSFORMER GE 9T58K2933 OR EQUAL 240/480 PRIMARY 120/240 SECONDARY
- 15A/1P 120V BREAKERS (1) GFCI (1) LIGHT (1) SPARE
- 6-30A/2P CONTACTORS
- LIGHTING TERMINAL BLOCKS TO HANDLE 10 THRU #2 WIRE
- 15A GFCI CONVENIENCE RECEPTACLE

**WIRING DIAGRAM**



**BOX CONSTRUCTION:**

- NEMA3R
- 1/8" ALUMINUM 5052-H32
- NEOPRENE GASKET ON DOORS
- STAINLESS STEEL HARDWARE (UNLESS OTHERWISE NOTED)
- ANODIZED 30MIN CLEAR
- ETL LISTED IN ACCORDANCE W/ UL508A

<b>Povolny Specialties</b>		DBE, SBE, WBE, WBENC & Wisconsin DBE CERTIFIED	PHONE: 651-452-7335 FAX: 651-452-7336 www.povolnyspecialties.com
7350 COURTHOUSE BLVD. INVER GROVE HGTS., MN 55077			
SCALE: N.T.S.	APPROVED BY:	DRAWN BY: DDM	
DATE:	QUANTITY:	REVISED:	
CUSTOMER:			
PROJECT:			DRAWING NUMBER <b>POVWDL30-240/480</b>
THIS DRAWING IS THE PROPERTY OF POVOLNY SPECIALTIES, INC. PERMISSION TO USE GRANTED ONLY TO THE CONTRACTOR AND PROJECT NOTED ABOVE.			