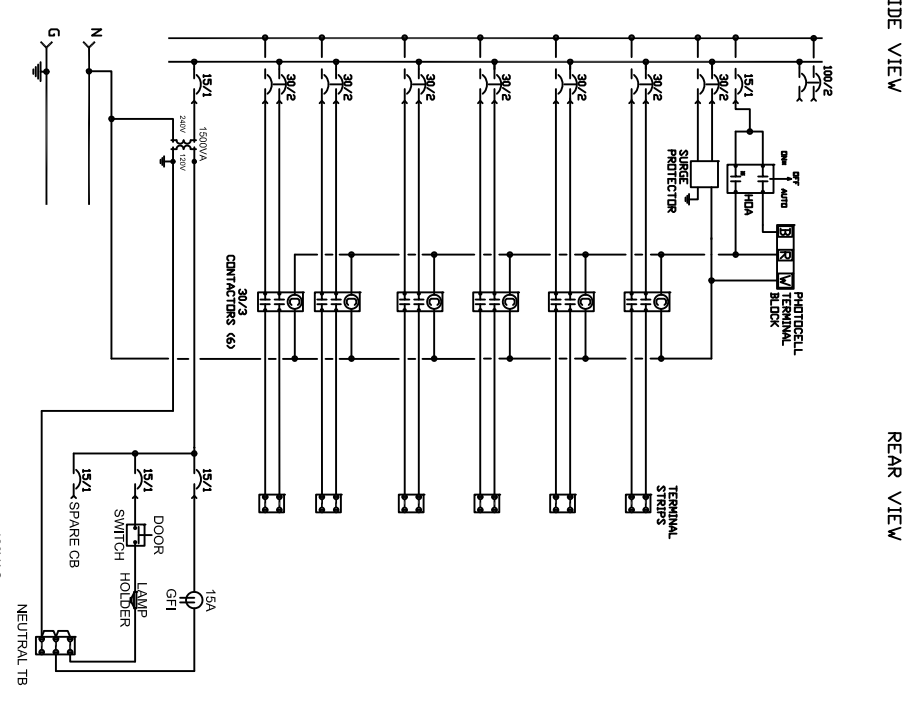
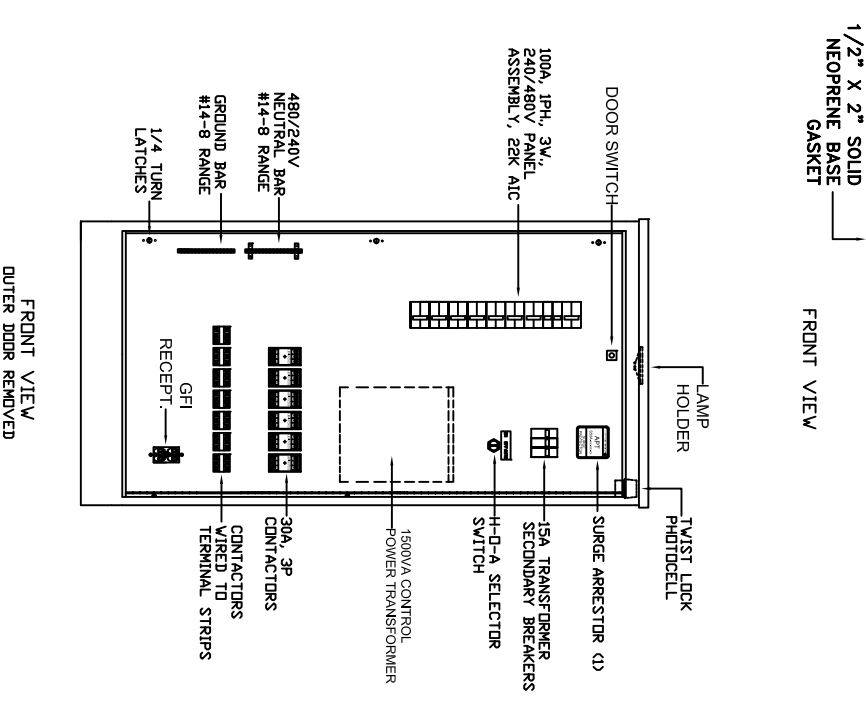
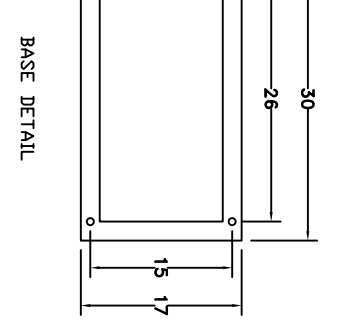


CONSTRUCTION NOTES:
 CABINET TO BE TYPE 3R CONSTRUCTION PER UL 50 REQUIREMENTS.
 CABINET TO BE FABRICATED FROM FORMED AND WELDED 12S" ALUMINUM.
 CABINET TO BE SILVER WITH WHITE INTERIOR POWDER COAT PAINT
 ALL CABINET EXTERIOR HARDWARE TO BE STAINLESS STEEL.
 EXTERIOR DOOR HELD CLOSED WITH A VAULT TYPE HANDLE AND #2 UTILITY LOCK.
 EXTERIOR DOOR SHALL BE SEALED WITH CLOSED CELL 3/16" X 1" NEOPRENE GASKETING
 EXTERIOR DOOR SHALL HAVE A WIND LATCH
 HINGED INNER DEAD FRONT TO BE HELD CAPTIVE WITH 1/4 TURN LATCHES.
 8" X 10" PRINT POCKET ON REAR OF OUTER DOOR.
 THE COMPLETED ASSEMBLY TO BE UL 508A LISTED, 22K AIC SHORT CIRCUIT RATING.



WIRING DIAGRAM



BASE DETAIL

MISCELLANEOUS NOTES
 1. CAN BE SERVICE ENTRANCE RATED

REV.#	DATE	BY	REVISION DESCRIPTION
-	-	-	-

CONSTRUCTION NOTES	
VOLTAGE	480/240
PHASE	1PH
WIRE	3W
FREQUENCY	60HZ
S.C. RATING	22KAIC
PHASE BUS	-
NEUTRAL BUS	-
BUS MATERIAL	-
GND. BUS	-

CERTIFICATION	
ENCL. TYPE	UL 508A
ENCL. MATERIAL	NEMA 3R
ENCL. PAINT	12S" ALUMINUM
CONTROL WIRE TYPE	ANODIZE TYPE 2 CLEAR COAT
CONTROL WIRE SIZE	-
WIRE LABELS	-
EXT. LABELS	-

DRAWN DATE	DRAWN BY	CHECK BY	JOB NAME
06/04/15	DK	BS	WISDOT SUBMITAL

ENGINEER	CONTRACTOR	SHEET TITLE
-	-	240/480, 1PH, 3W, 100A ELEVATION DRAWING

ORDER NUMBER	DRAWING TYPE SHEET	SCALE
-	EL	01



THIS DOCUMENT IS THE PROPERTY OF STATES MANUFACTURING. IT IS TO BE USED ONLY FOR THE PROJECT AND SPECIFICATIONS FOR WHICH IT WAS PREPARED. IT IS NOT TO BE REPRODUCED, COPIED, OR DISCLOSED OTHER THAN AS EXPRESSLY AUTHORIZED BY STATES MANUFACTURING. (SEARCH IN NUMBER OR NUMBERING)

PART NUMBER
 WISDOT L30 240/480V