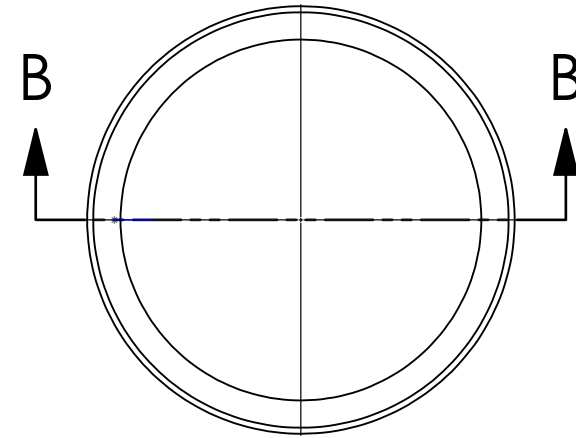
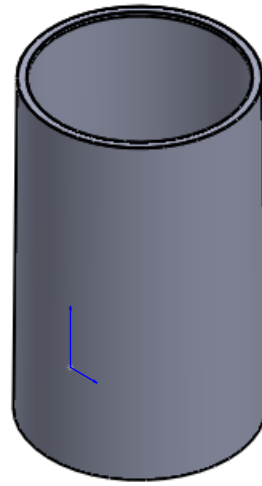
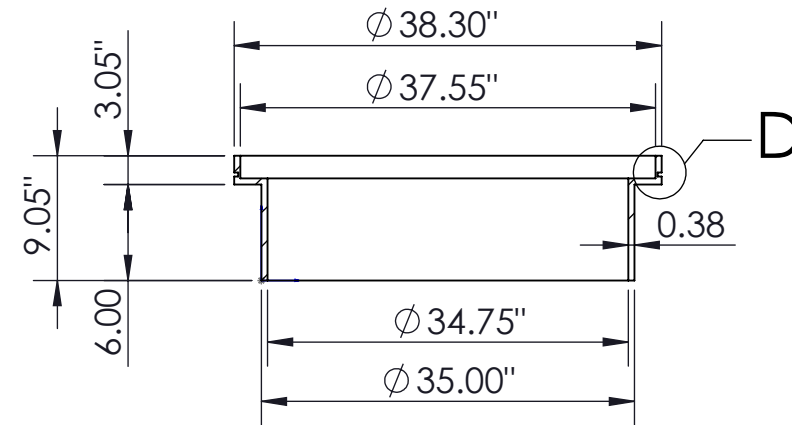
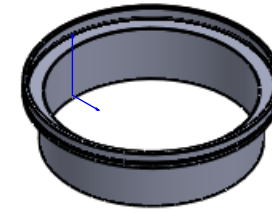


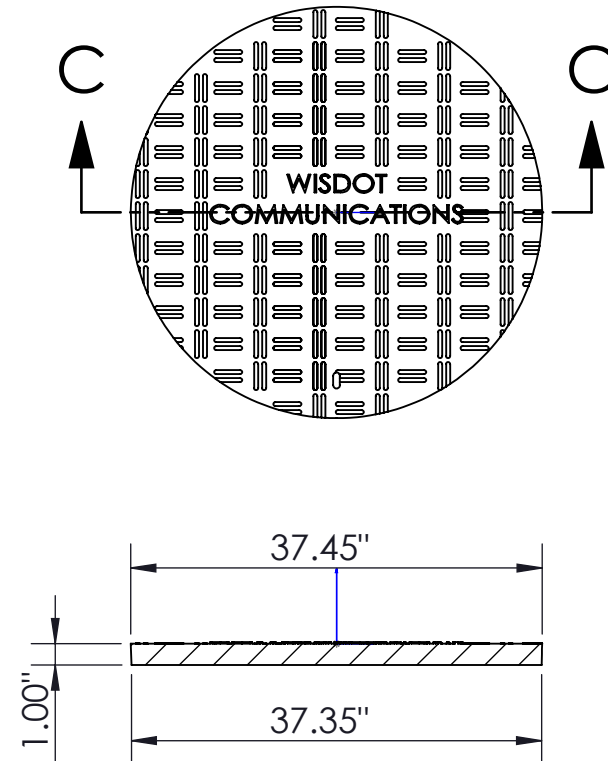
**A - LD 36" X 42" HANDHOLE  
(3642HD5)**



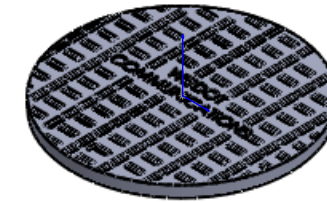
**B - FRAME  
(38-FRM-PE)**



DETAIL D  
SCALE 1 : 6



**C-COVER/LID  
(ESS37.5NC)**



IDEX	PART NO.	DESCRIPTION	QTY
1	3642HD5	LD 36" X 42" HDPE HANDHOLE	
2	38-FRM-PE	38" POLY FRAME	
3	ESS38NC	37.45" X 1" COVER/LID	
		WISDOT COMMUNICATIONS	

PHONE (763) 478-2027
   
 FAX (763) 478-8868

---

**JOB:** 36X42 WISDOT COMMUNICATIONS  
**LOCATION:** ELECTRICAL  
**CONTRACTOR:** ESS BROTHERS  
**ESS JOB NO:** \_\_\_\_\_

---

**DRAWN BY:** DM **CHECKED BY:** NGN  
**REVISION DESCRIPTION:** \_\_\_\_\_  
**DATE:** 12/31/1799  
**DATE DRAWN:** 3/10/2017

---

**SHEET NO. 1 OF 1**