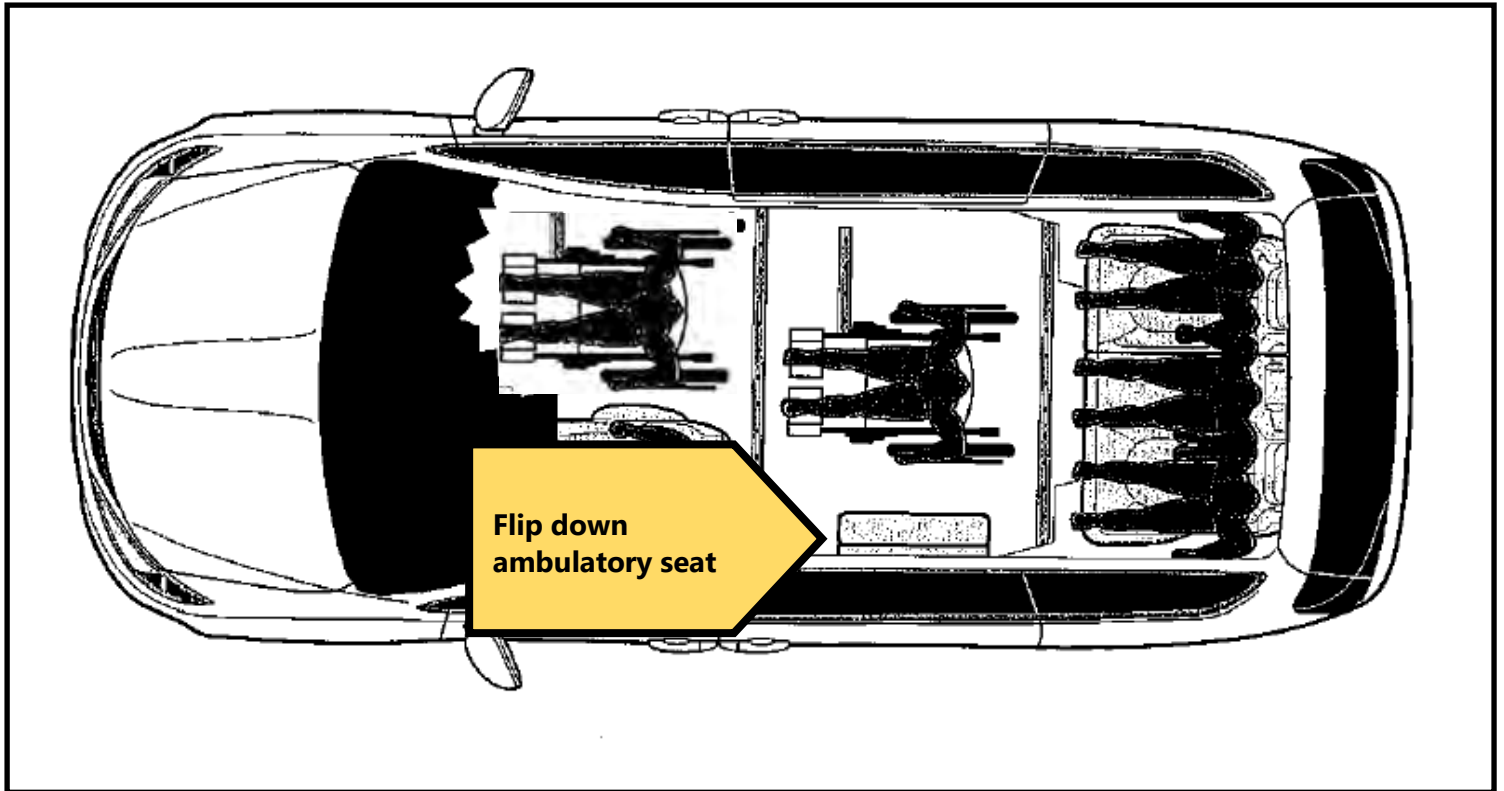


## Line Item 1 – Minivan with Side Load Ramp

**Ambulatory/Wheelchair Positions (One flip-down ambulatory seat, three bench ambulatory, and two wheelchair positions)**

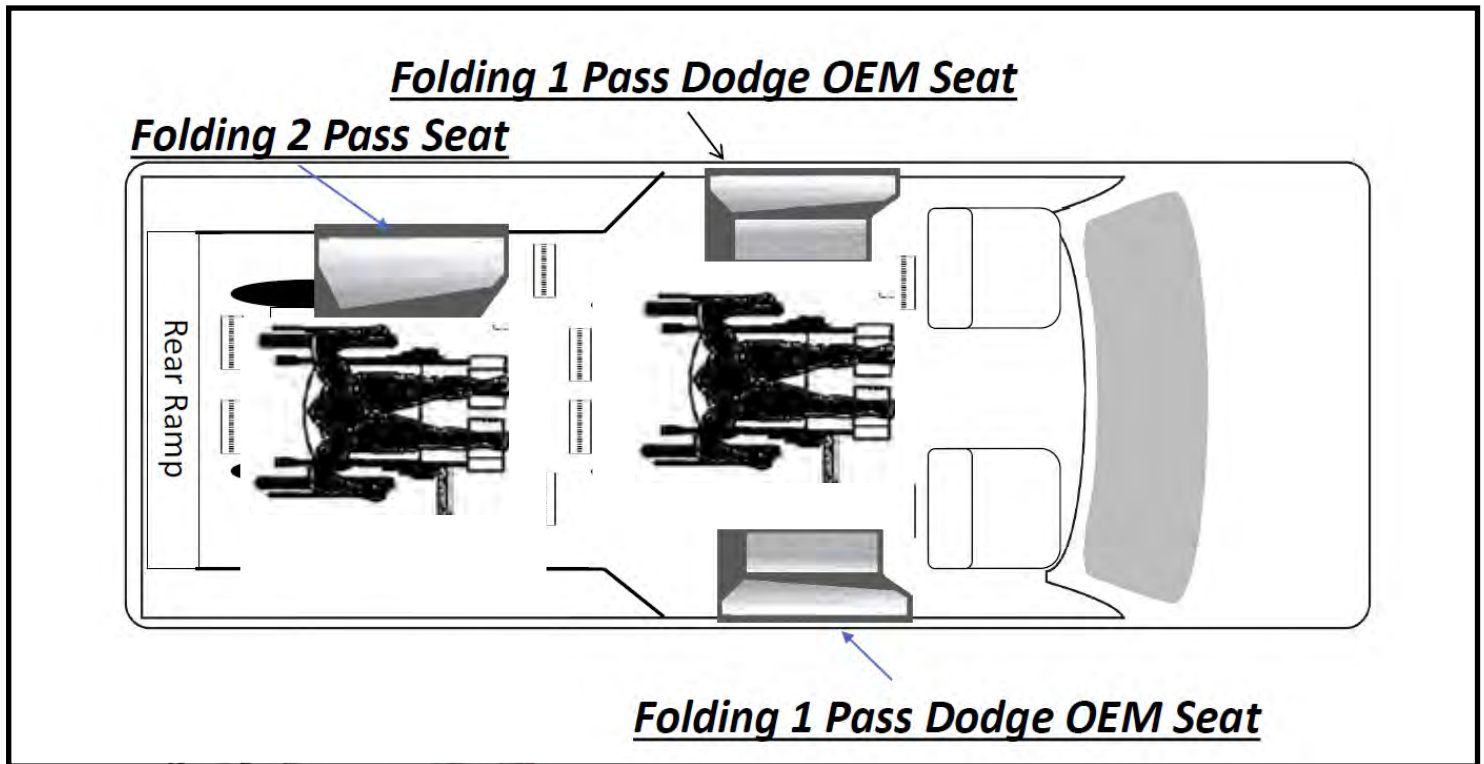
Chrysler Voyager – A&J Commercial



## Line Item 2 – Minivan with Rear Load Ramp

Ambulatory/Wheelchair Positions (4 flip-down ambulatory seat positions, one front stationary ambulatory seat, two wheelchair positions)

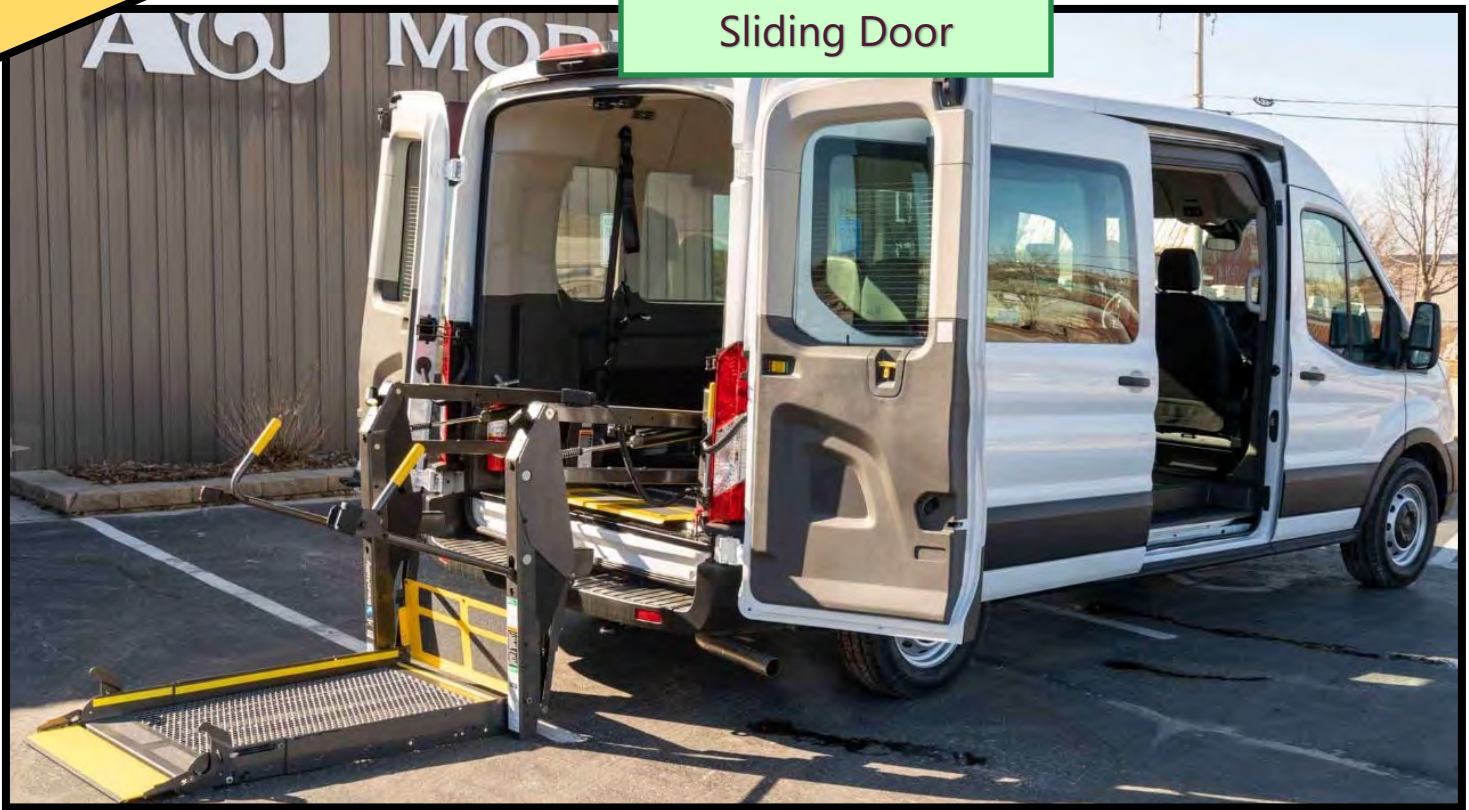
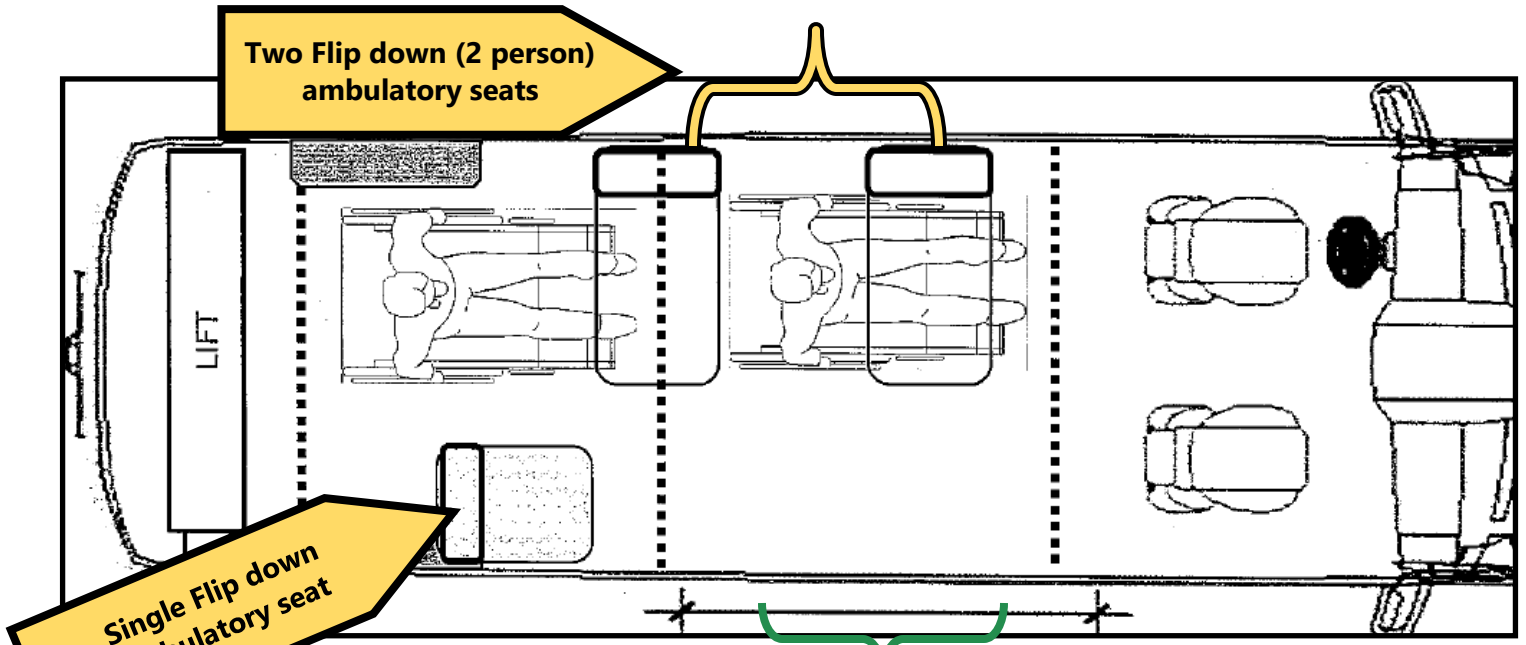
Chrysler Voyager – TESCO



# Line Item 3 – Medium Roof (99" tall) Transit Bariatric Rear Load Ramp

Ambulatory/Wheelchair Positions (Four flip-down ambulatory seats, one front and one side passenger ambulatory seat, two wheelchair positions)

Ford Transit 350 XL – A&J Commercial



---

**Overall Length** 236"

---

**Wheelbase** 148"

---

**Body Width** 81"

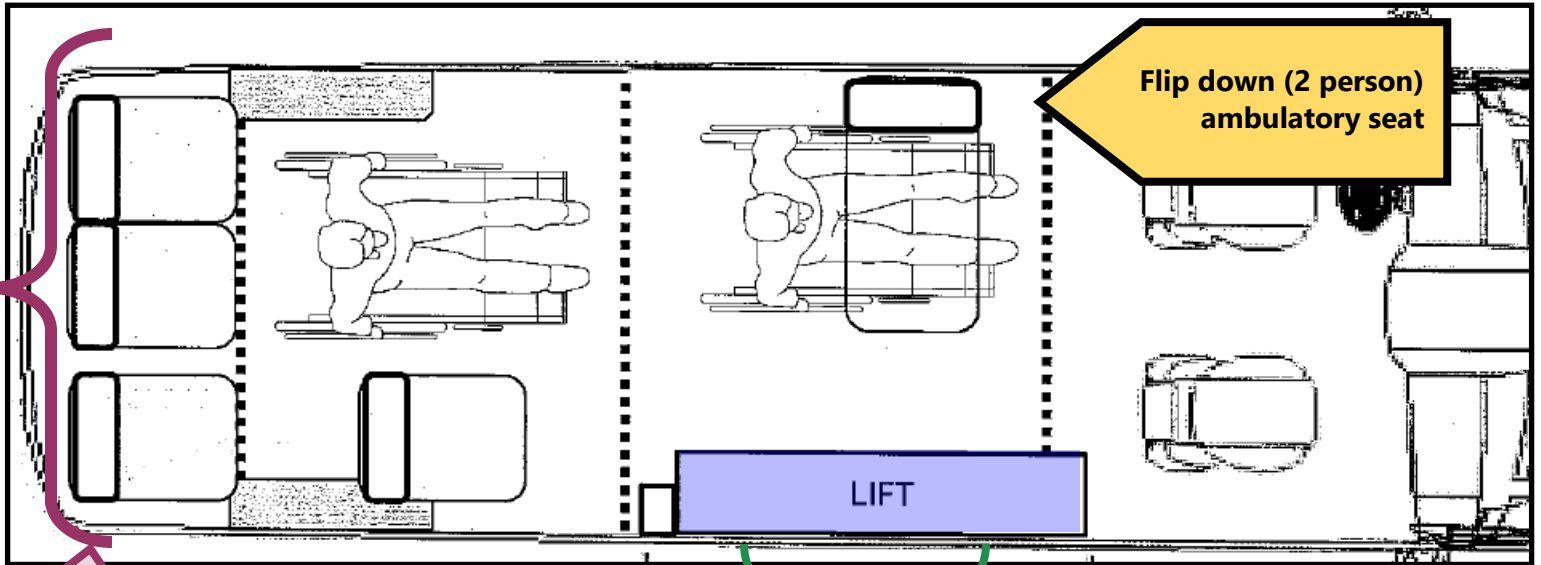
---



# Line Item 4 – Medium Roof (99" tall) Transit Bariatric Side Load Ramp

Ambulatory/Wheelchair Positions (Two flip-down ambulatory seats, three bench, one front, and one side ambulatory seats, two wheelchair positions)

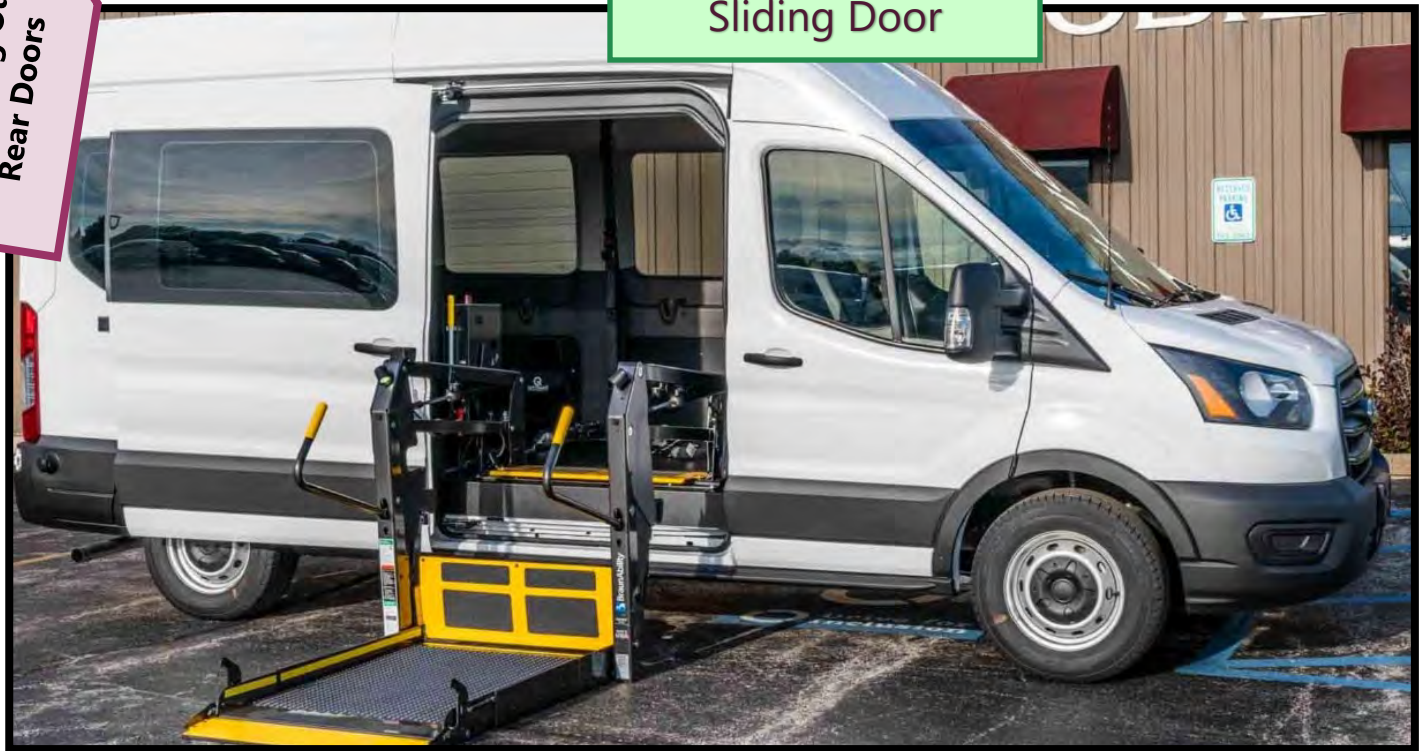
Ford Transit 350 XL – A&J Commercial



Flip down (2 person) ambulatory seat

Sliding Door

Split Sw0ig Out Rear Doors



Overall Length 236"

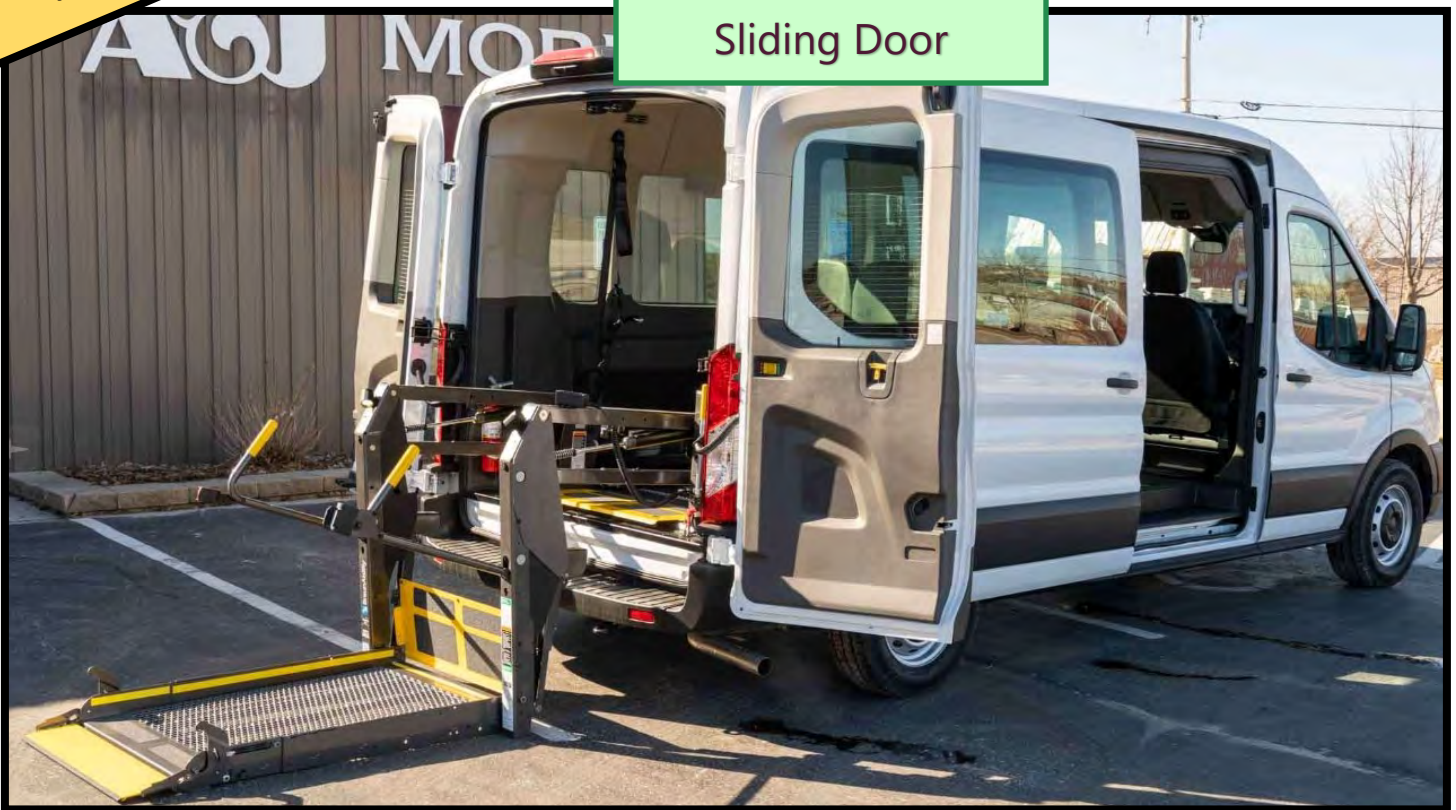
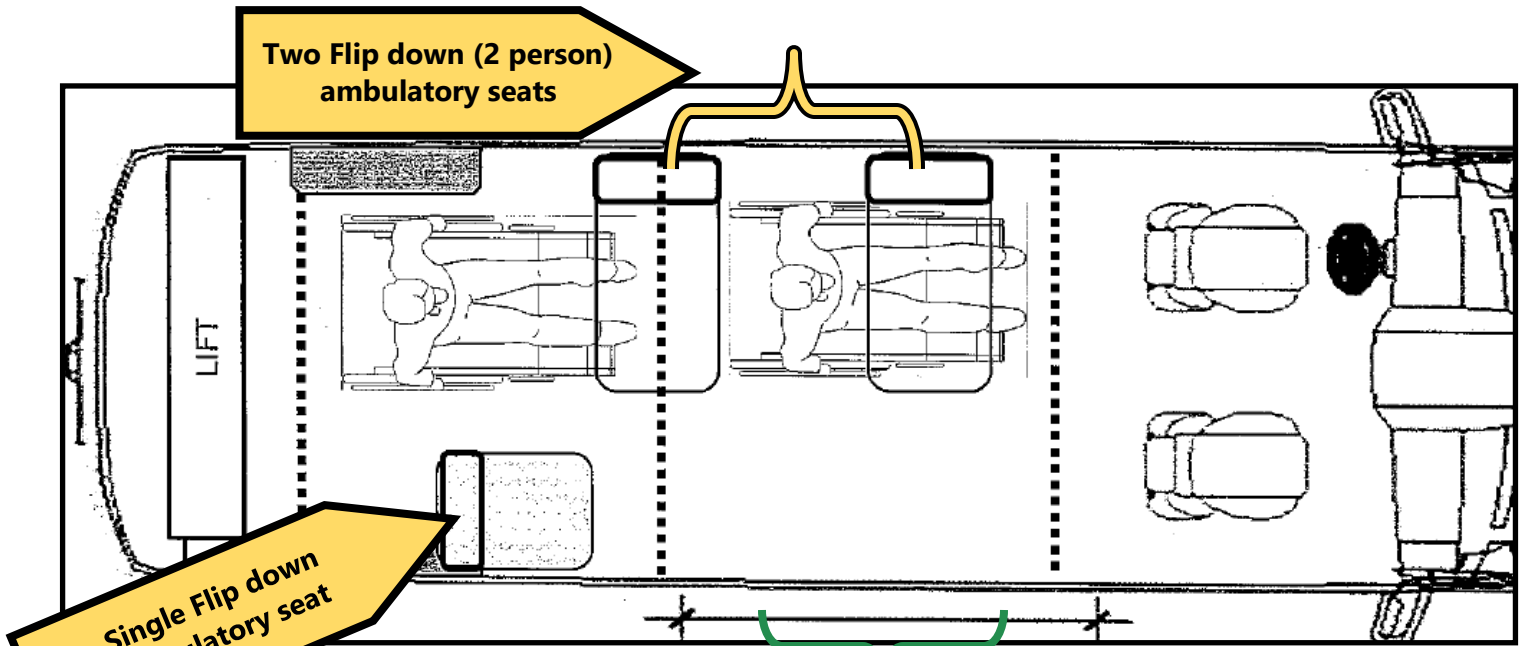
Wheelbase 148"

Body Width 81"

# Line 5 – High Roof (109" tall) Transit Bariatric Rear Load Ramp

Ambulatory/Wheelchair Positions (Four flip-down ambulatory seats, one front and one side passenger ambulatory seat, two wheelchair positions)

Ford Transit 350 XL – A&J Commercial



Overall Length 236"

Wheelbase 148"

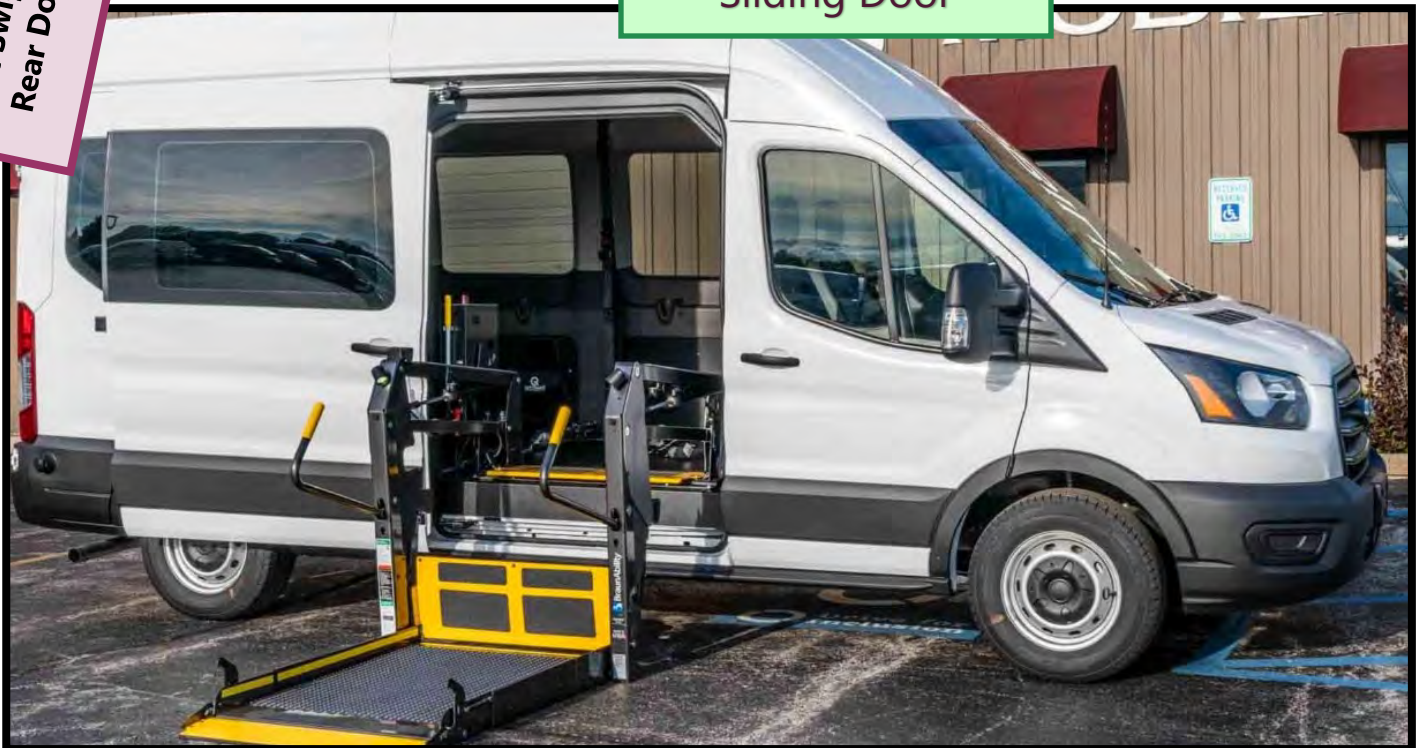
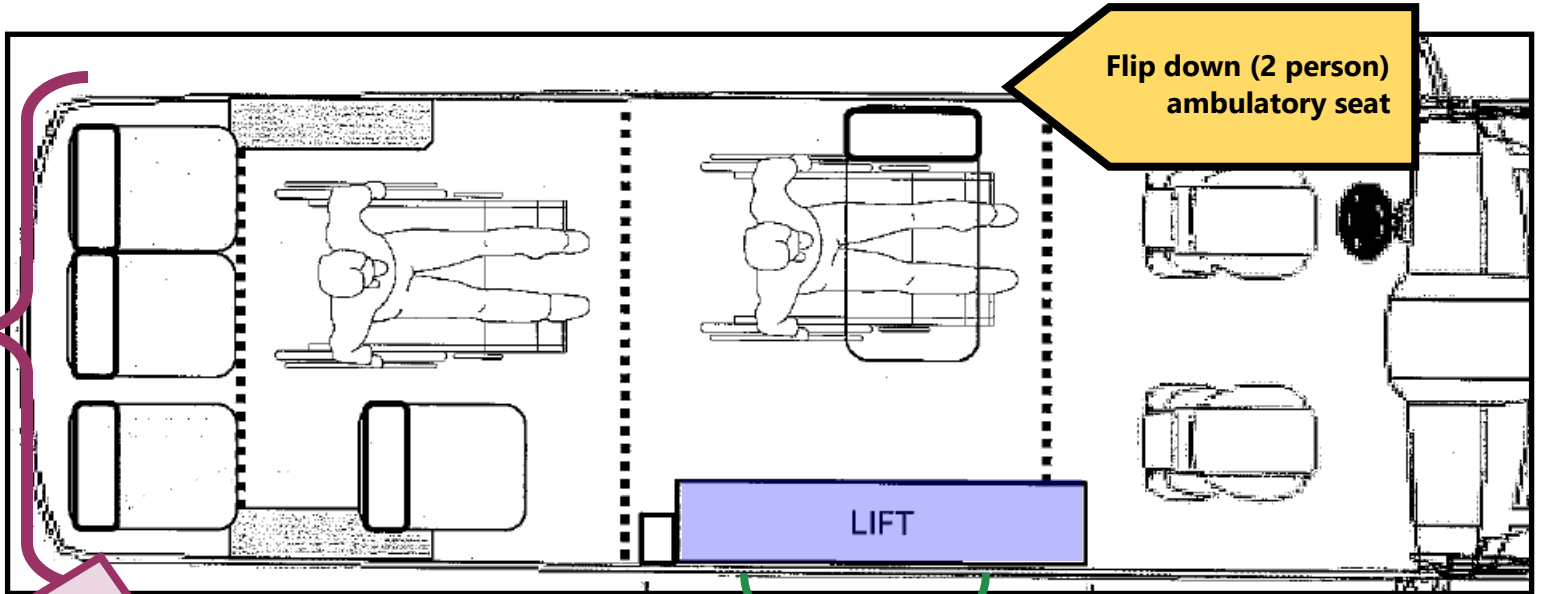
Body Width 81"



# Line Item 6 – High Roof (109" tall) Transit Bariatric Side Load Ramp

Ambulatory/Wheelchair Positions (Two flip-down ambulatory seats, three bench, one front, and one side ambulatory seats, two wheelchair positions)

Ford Transit 350 XL – A&J Commercial

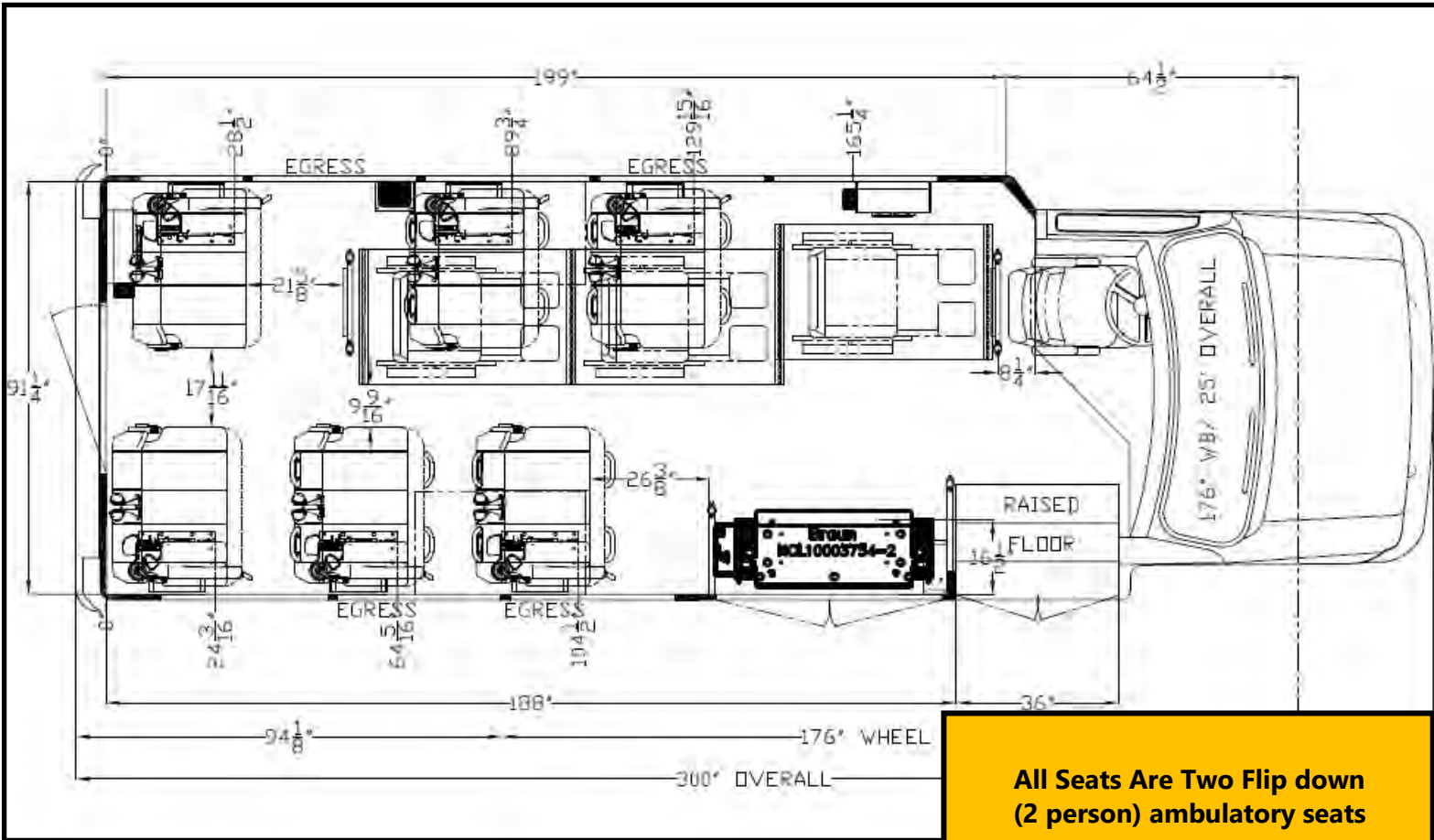


Overall Length	236"
Wheelbase	148"
Body Width	81"

# Line Item 9 – Med. Bus Accessible Side Lift

Ambulatory/Wheelchair Positions (12 flip-down ambulatory seats and three wheelchair positions)

Elkhard ECII (Ford 450) – TESCO

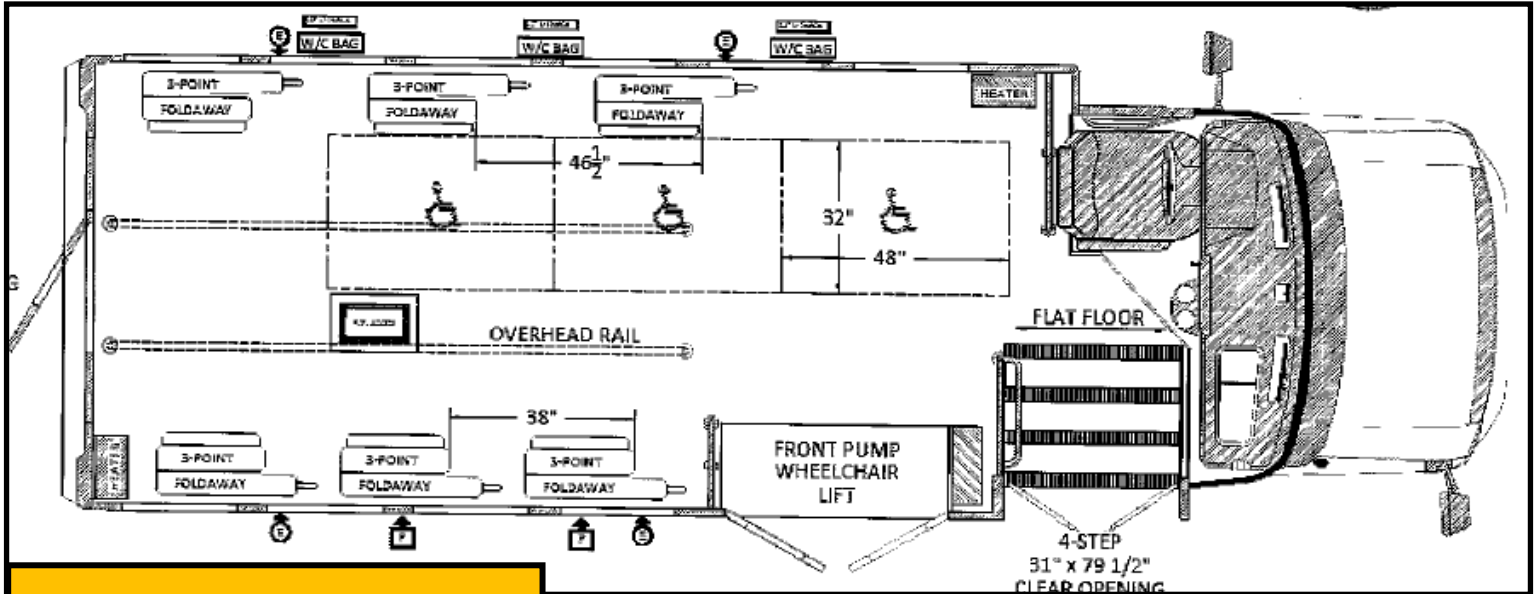




# Line Item 10 – Med. Bus Accessible Side Lift with Honeycomb Fiberglass Construction

Ambulatory/Wheelchair Positions (12 flip-down ambulatory seats and three wheelchair positions)

Diamond VIP 2500 (Ford 450) – A&J Commercial



All Seats Are Two Flip down  
(2 person) ambulatory seats

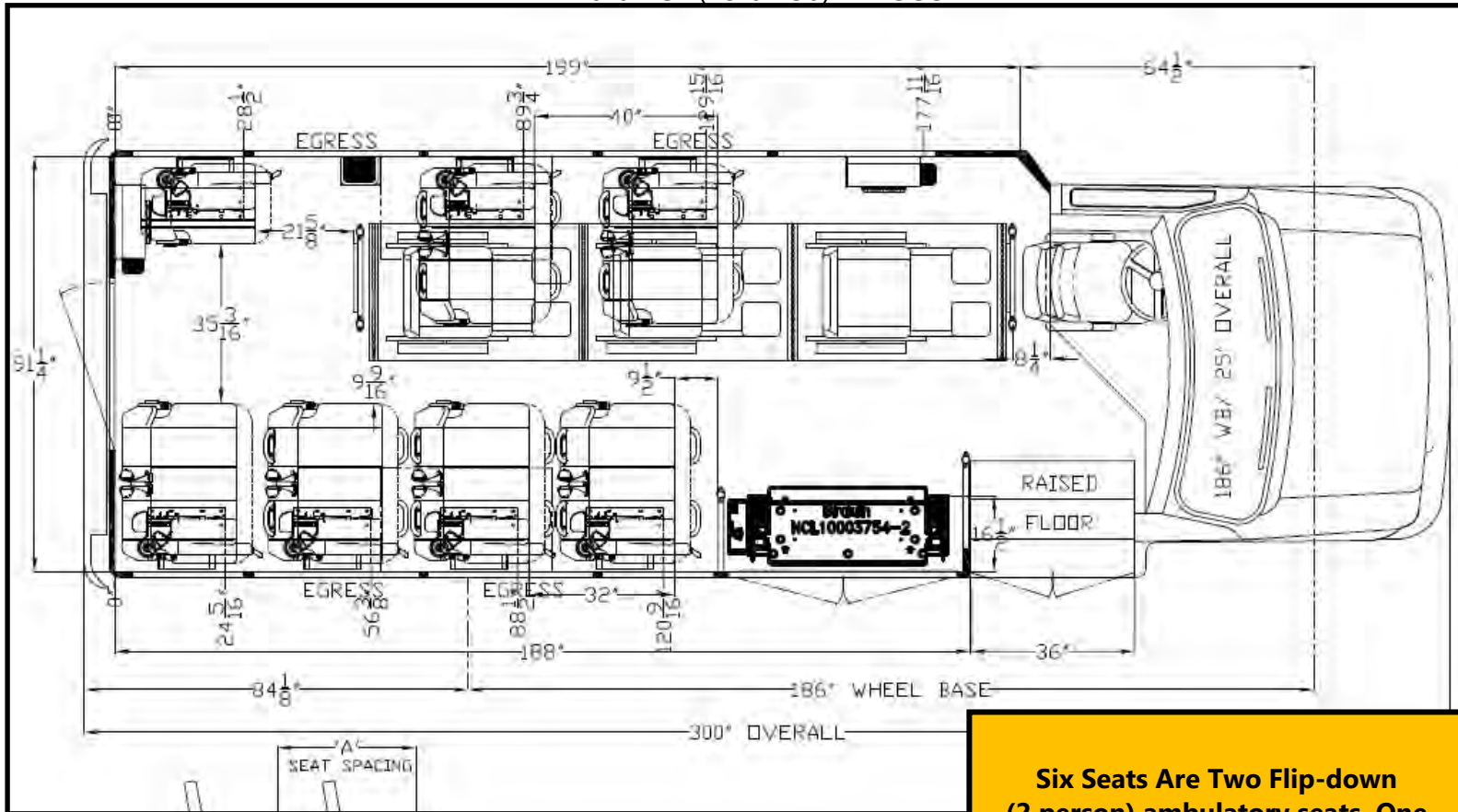




# Line Item 11 – Med. Lg. Bus Accessible Side Lift

Ambulatory/Wheelchair Positions (13 flip-down ambulatory seats and three wheelchair positions)

Elkhard ECII (Ford 450) – TESCO



# Line Item 12 – Med. Lg. Bus Accessible Side Lift with Honeycomb Fiberglass Construction

Ambulatory/Wheelchair Positions (13 flip-down ambulatory seats and three wheelchair positions)

Diamond VIP 2500 (Ford 450) – A&J Commercial

