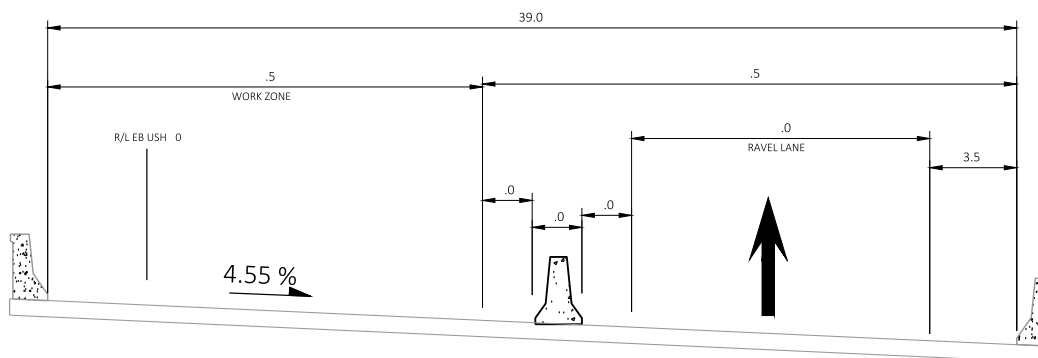


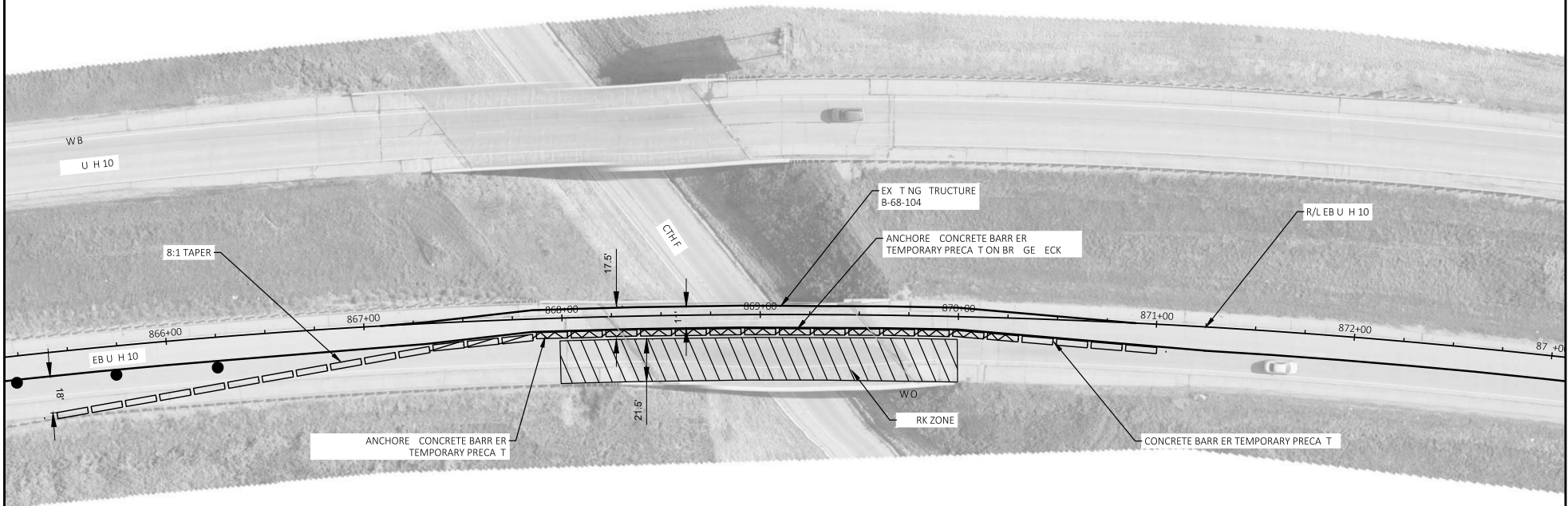
USH 10 BRIDGE TRAFFIC CONTROL

WEST BOUND BRIDGE OVER C.H.F.
OUTSIDE LANE WORK
STA 868+00 TO STA 870+00



USH 10 BRIDGE TRAFFIC CONTROL

WEST BOUND BRIDGE OVER C.H.F.
INSIDE LANE WORK
STA 868+00 TO STA 870+00



WY

PROJECT NO: WA 1 10-02-60

H : UWH 10 W

COUNTY: AUPACA

BR GE TRAFF C CONTROL - TAGE 1

HEET

E

FILE NAME: Y:\M L UKEE\20 00 \20 _01\ENG_ OC \1 10-02-60\1 100260\HEET 1026101- 1.
LAYOUT NAME - Bridge tage 1

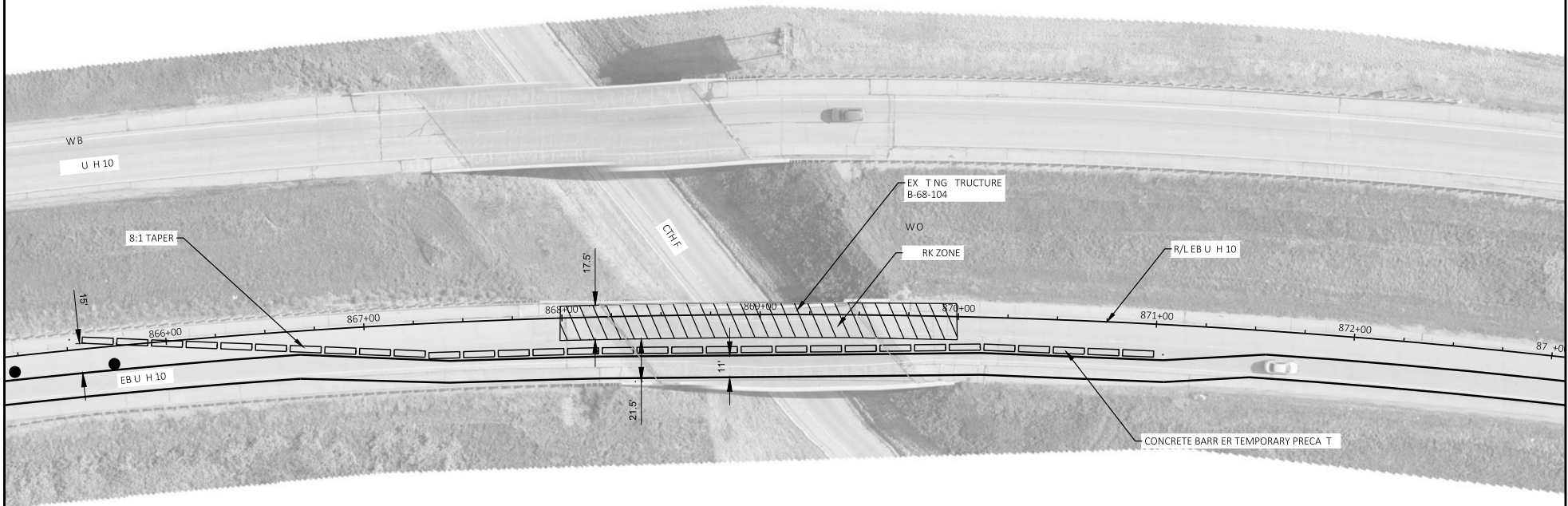
PLOT ATE: / /2024 11: 0 AM

PLOT BY: CLEGG, HEATHER

PLOT NAME:

PLOT CALE: 1 N: 0 FT

OT/CA HEET 42



WY

PROJECT NO: WA 1 10-02-60

H : UWH 10 W

COUNTY: AUPACA

BR GE TRAFF C CONTROL - TAGE 2

HEET

E

FILE NAME: Y:\M\1_UKEE\20 00 \20 _01\ENG_ OC \1 10-02-60\1 100260\HEET 1026101- 2.
LAYOUT NAME - Bridge tage 2

PLOT ATE: / /2024 11: 1 AM

PLOT BY: CLEGG, HEATHER

PLOT NAME:

PLOT CALE: 1 N: 0 FT

OT/CA HEET 42