



WIS 22 (WIS 23 – Park Street)

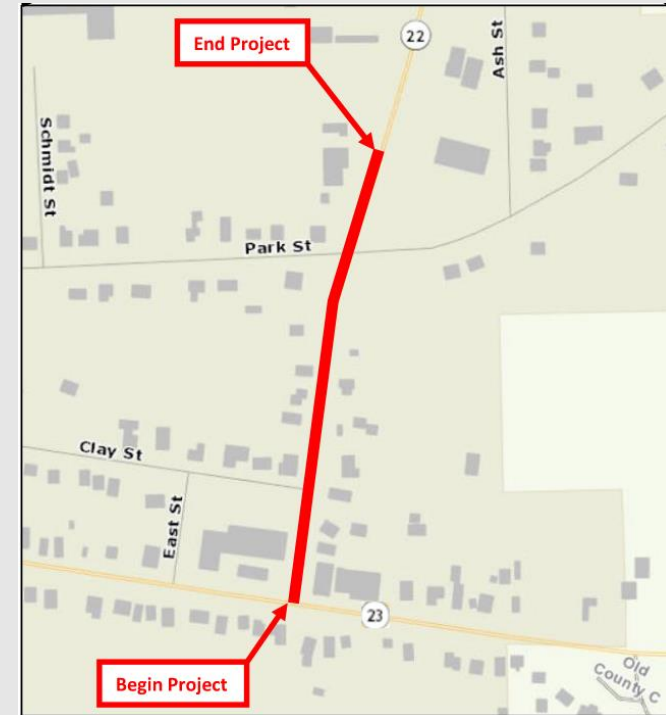
Andrew Schultz
Consultant Design Lead

Public Involvement Meeting

February 6, 2024

Meeting Purpose

- Notify residents and business owners about WIS 22 improvements
- Review improvement scope
- Review schedule and traffic impacts
- Receive feedback

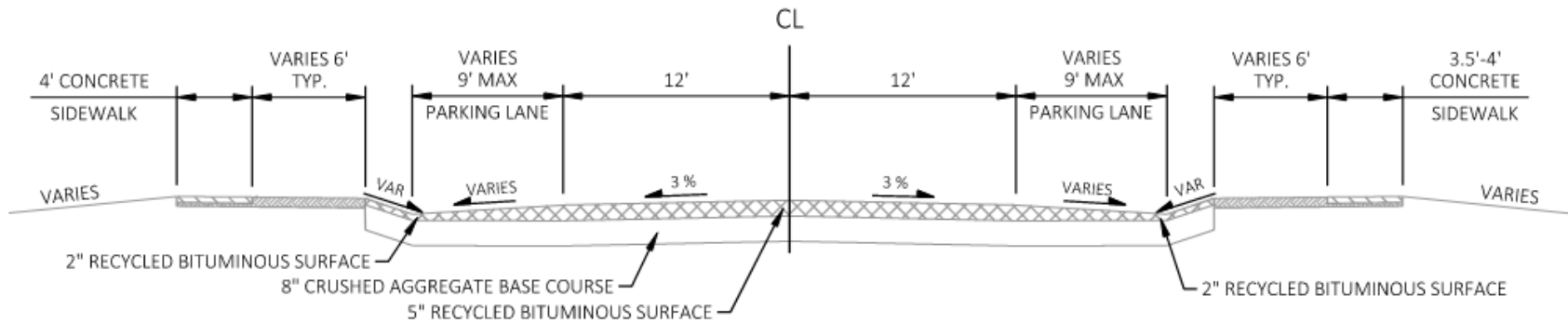


WIS 22 Improvement Scope

- 6150-01-07 Limits – WIS 23 to North of Park Street
- Major improvements
 - Reconstructing Roadway
 - Replacing Underground Utilities
 - Replacing Existing Sidewalk
 - Adding New Sidewalk on East Side
 - Reconstruct Curb Ramps to ADA Standards

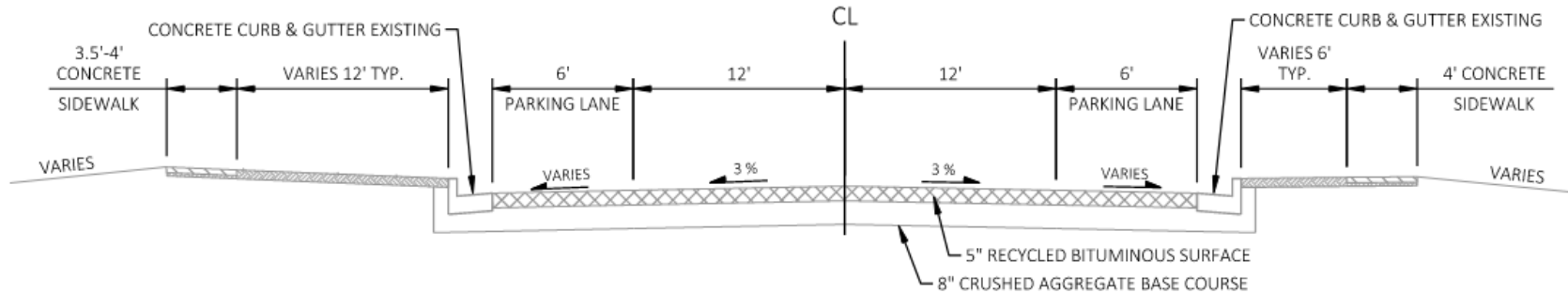


Roadway Reconstruction



EXISTING TYPICAL SECTION STH 22

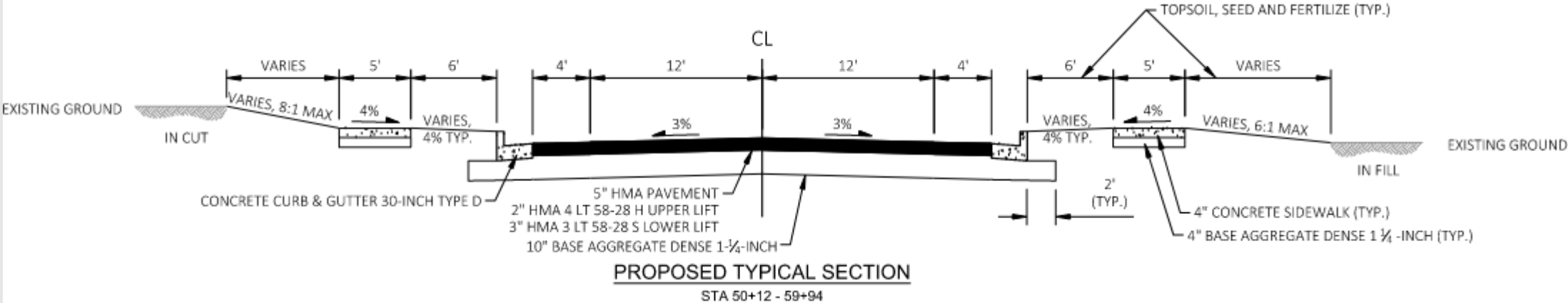
STA 53+34 - 56+57



EXISTING TYPICAL SECTION STH 22

STA 50+12 - 51+54

Roadway Reconstruction



Roadway Reconstruction



Replacing Underground Utilities

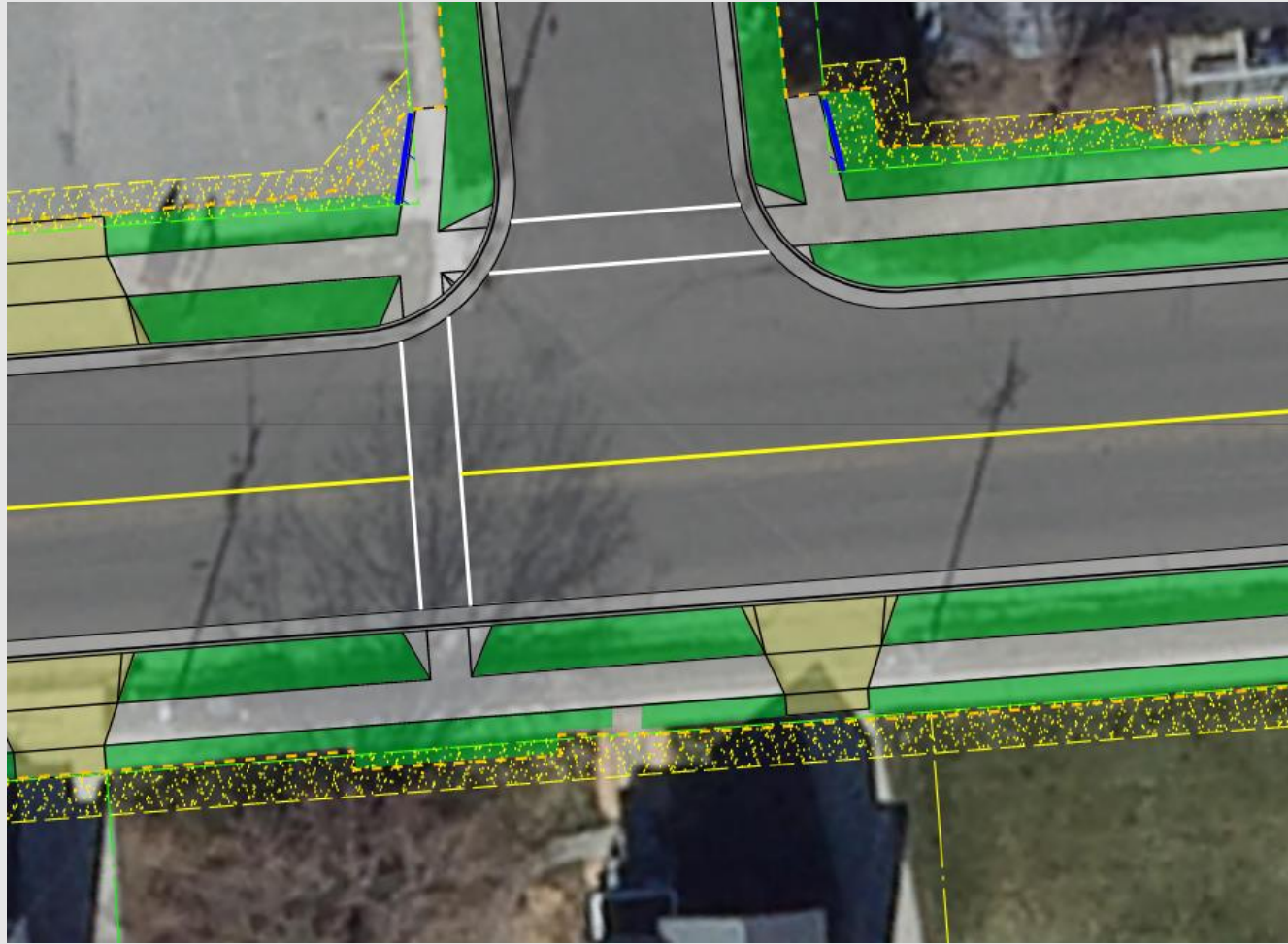
- Replace and Expand the Storm Sewer System
- City of Montello to replace Watermain and Sanitary Sewer



Sidewalk



ADA Curb Ramps



WIS 22 Schedule

- Design
 - Ongoing through late 2026
- Construction
 - Currently scheduled for 2027
 - Approximately 3 months



WIS 22 Right of Way Schedule

- Right of Way Plat
 - Recorded in July 2024
- Acquisition Phase
 - Notifications sent to affected properties in July
 - Acquisition to last until January 2026



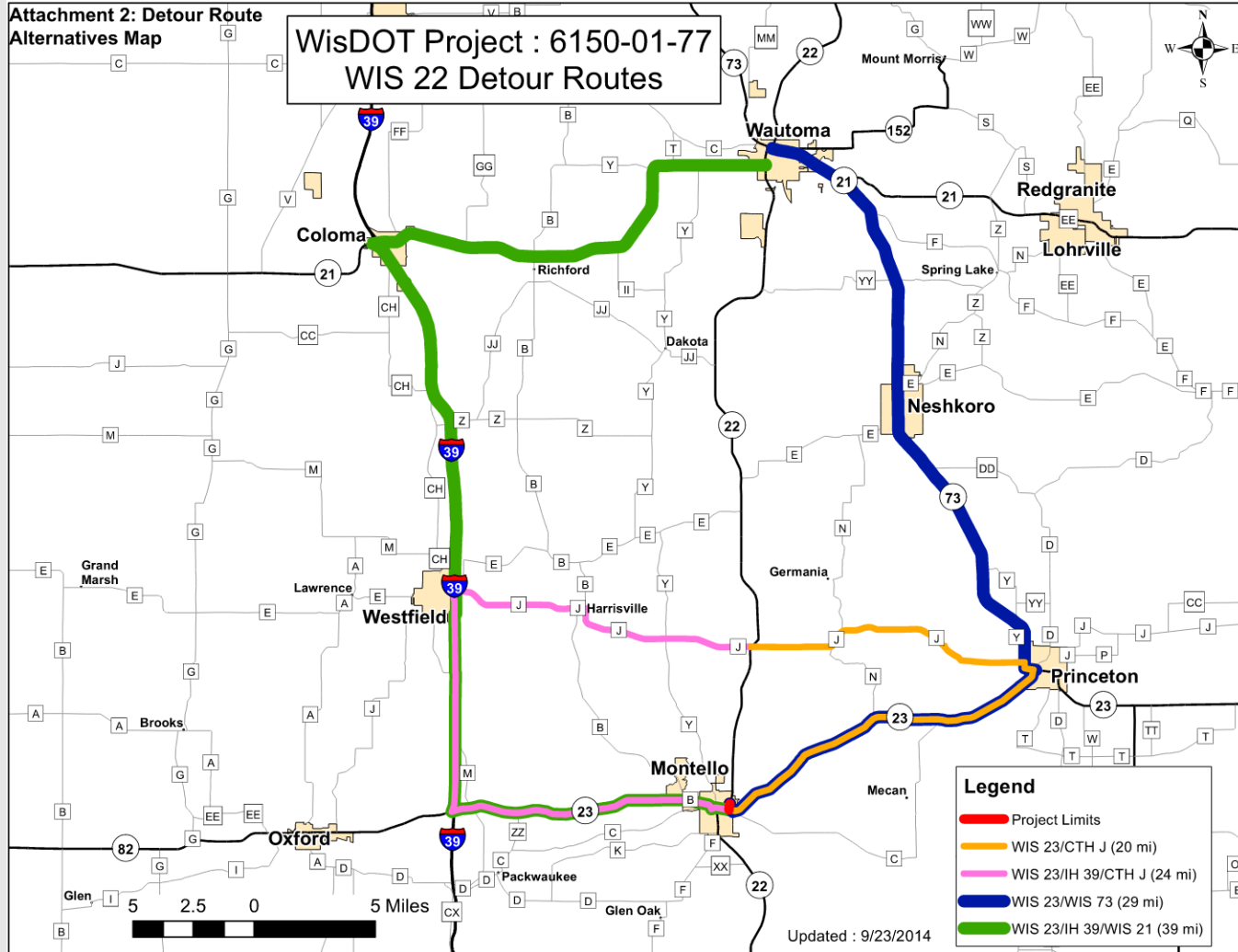
WIS 22 Traffic Impacts

- Traffic Impacts

- WIS 22 will be closed to through traffic
- Detour Route will be WIS 73 and WIS 23 from Wautoma through Princeton
- Local Traffic will be allowed access to homes and businesses



WIS 22 Traffic Impacts



Future Project Information

- Project Website has been created.
- Will be found on main WisDOT Website and NC Region projects.
- QR Codes

The screenshot shows the Wisconsin Department of Transportation website. The header includes the WisDOT logo and the text "State of Wisconsin Department of Transportation". Below the header is a navigation menu with options like "DMV Online Services", "DMV Info", "Doing Business", "Travel", "Safety", "Projects and Studies", and "About WisDOT". The main content area is titled "North Central Region Projects and Studies" and contains a paragraph describing the region's projects. It lists "Projects under construction" and "Projects in design" with specific project names and locations. A map of the North Central region is shown on the right side of the page.

Wisconsin.Gov

State of Wisconsin
Department of Transportation

DMV Online Services | DMV Info | Doing Business | Travel | Safety | Projects and Studies | About WisDOT

North Central Region Projects and Studies

This webpage lists highway projects in design and study for the Wisconsin Department of Transportation (WisDOT), Division of Transportation System Development (DTS) North Central Region. The North Central Region consists of Adams, Green Lake, Florence, Forest, Iron, Langlade, Lincoln, Marathon, Marquette, Menominee, Oneida, Portage, Price, Shawano, Vilas, Waupaca, Waushara, and Wood counties.

- Follow the [North Central Region on Twitter](#) for construction information, traffic impacts and other transportation news.

[Construction](#) | [Design](#) | [Studies](#)

Projects under construction

- View [active North Central Region construction projects](#) (511 Wisconsin Construction Projects).

Projects in design

- [WIS 13 \(2nd Street North to County P\)](#) Rudolph - Portage and Wood Counties
- [WIS 73 \(Industrial Street to WIS 186\)](#), Wisconsin Rapids - Wood County
- [I-39 \(WIS 54 to North 2nd Street\)](#), Stevens Point - Portage County
- [I-39 \(WIS 34 to Foxglove Road\)](#) - Marathon County
- [I-39 \(Columbia County Line to Waushara County Line\)](#) - Marquette County
- [US 2 \(Wisconsin/Michigan Border bridge\)](#) - Iron County
- [US 2 \(Pewabic Street to County NN\)](#), Florence - Florence County
- [US 8 \(Lustila Road to Tracy Road\)](#) - Price, Lincoln and Oneida counties
- [US 8 \(County L to Klade Road\)](#), north of Tomahawk - Lincoln County
- [US 8 \(WIS 47 to County P\)](#), Rhinelander - Oneida County

Map of the North Central region of Wisconsin, highlighting counties in green. The map includes labels for Iron, Vilas, Florence, Oneida, Forest, Lincoln, Langlade, Marathon, Menominee, Shawano, Wood, Portage, Waupaca, Adams, Waushara, Marquette, and Green Lake.



Business Coordination

We're In This Together!

- Visit wisconsindot.gov/together
 - Tips, tools and resources
 - New (2021) business coordination guide
- Project team is here to help
 - What information would help you...
 - Inform customers about the project?
 - Coordinate with suppliers?
 - Communicate with employees?



WIS 22 – Project Contact Info

- Design project manager
 - Elle Miller (715) 315-9237, elizabeth.miller@dot.wi.gov
- Design project supervisor
 - Nichole Lysne (715) 213-1604, nichole.lysne@dot.wi.gov

