

PROJECT OVERVIEW



LEGEND

— INSTALL FENCING OVER MMSD, RIVER & SUMMERFEST

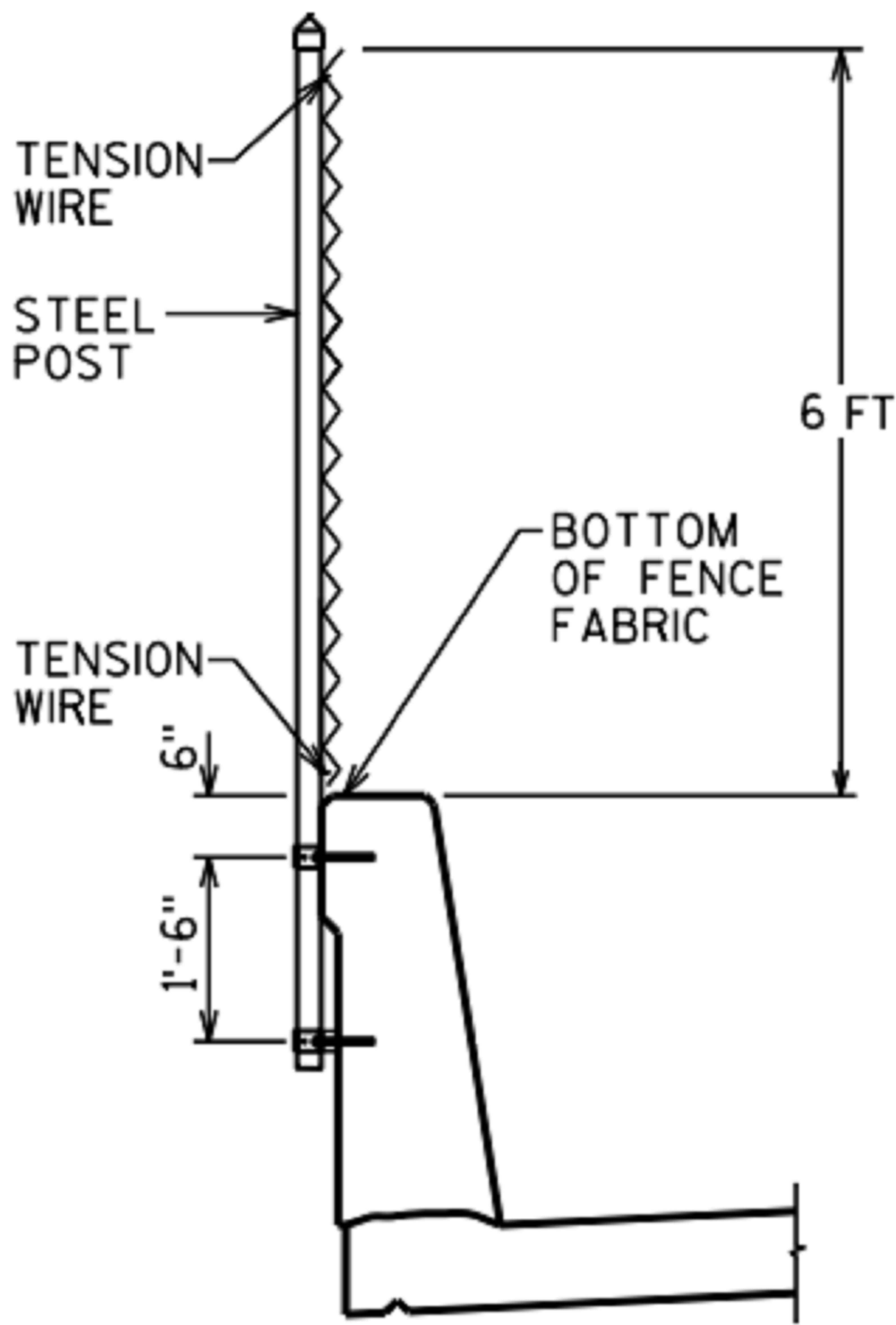


HOAN BRIDGE (I-794)
SAFETY IMPROVEMENTS
PROJECT ID 1300-15-00
CITY OF MILWAUKEE
MILWAUKEE COUNTY
PUBLIC INVOLVEMENT MEETING
AUGUST 30, 2022

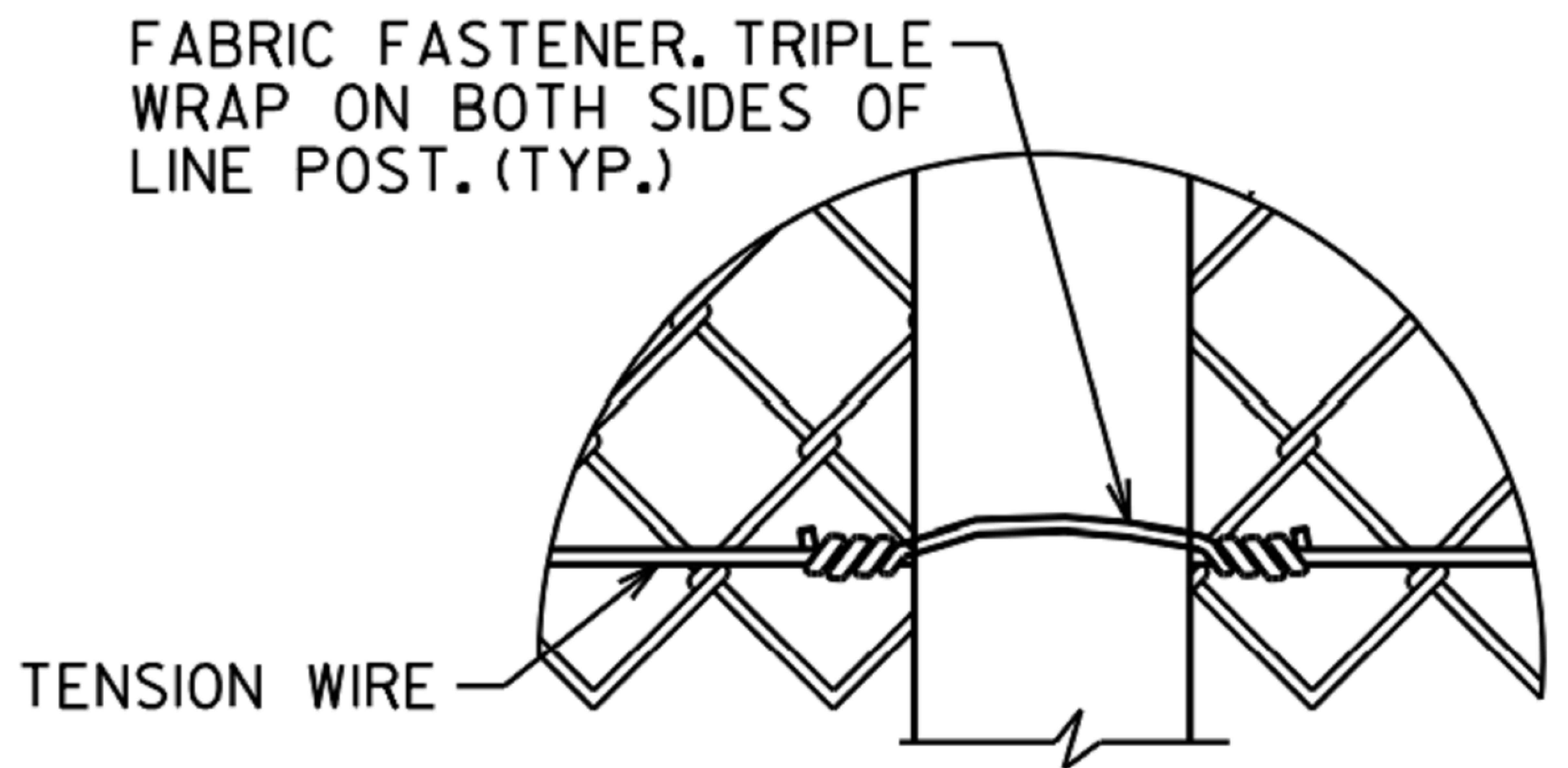
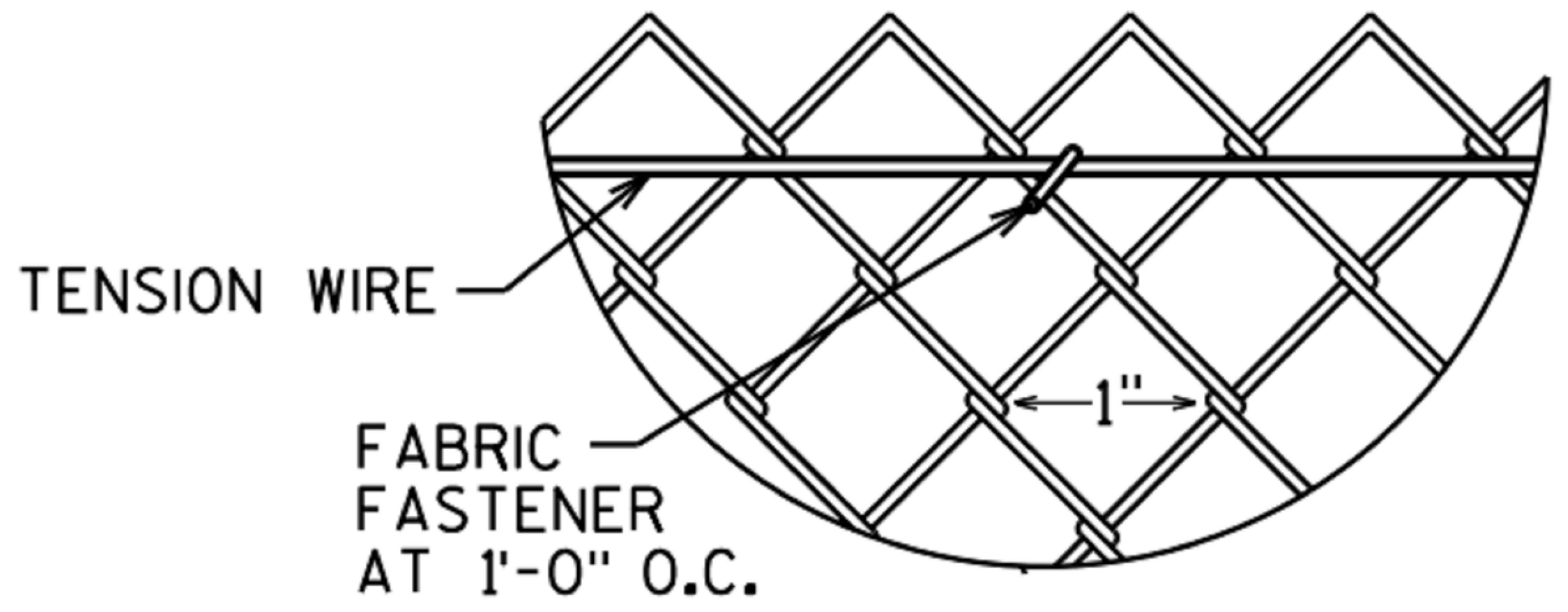
CONSTRUCTION
2023

SCALE 1"=250'

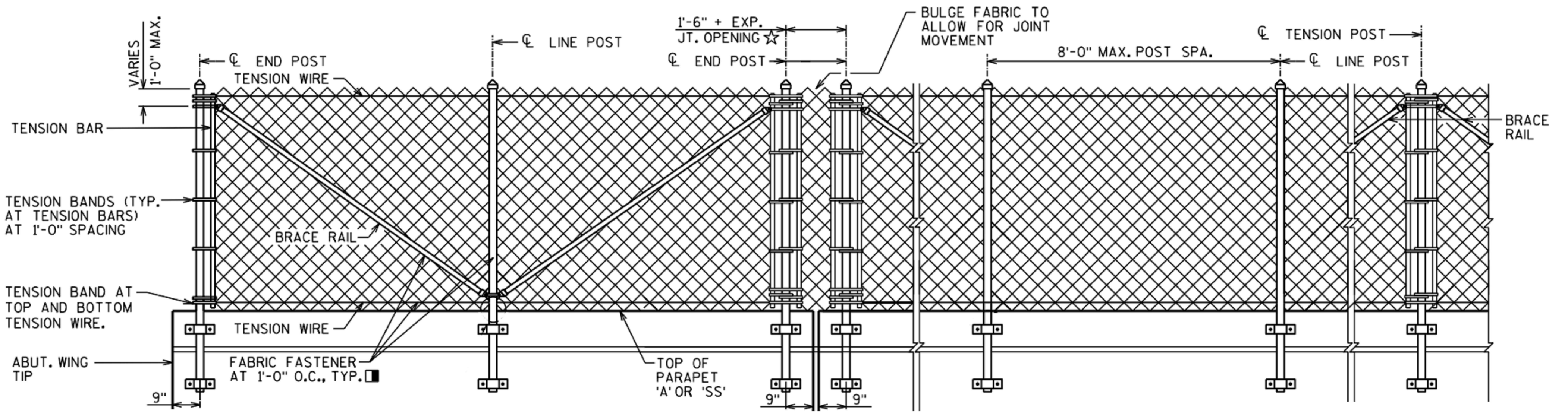
FENCE DETAILS



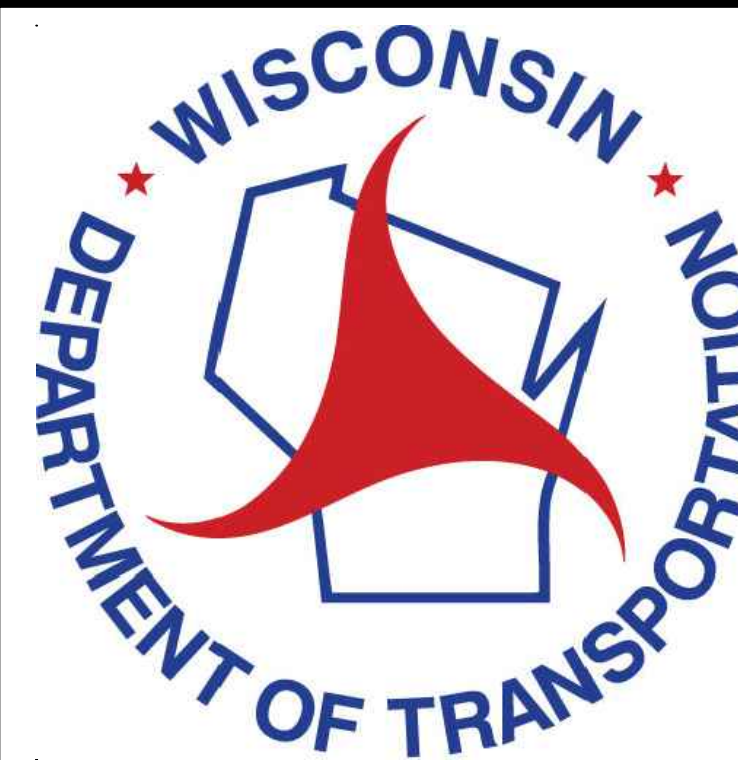
SECTION VIEW



CONNECTION DETAILS



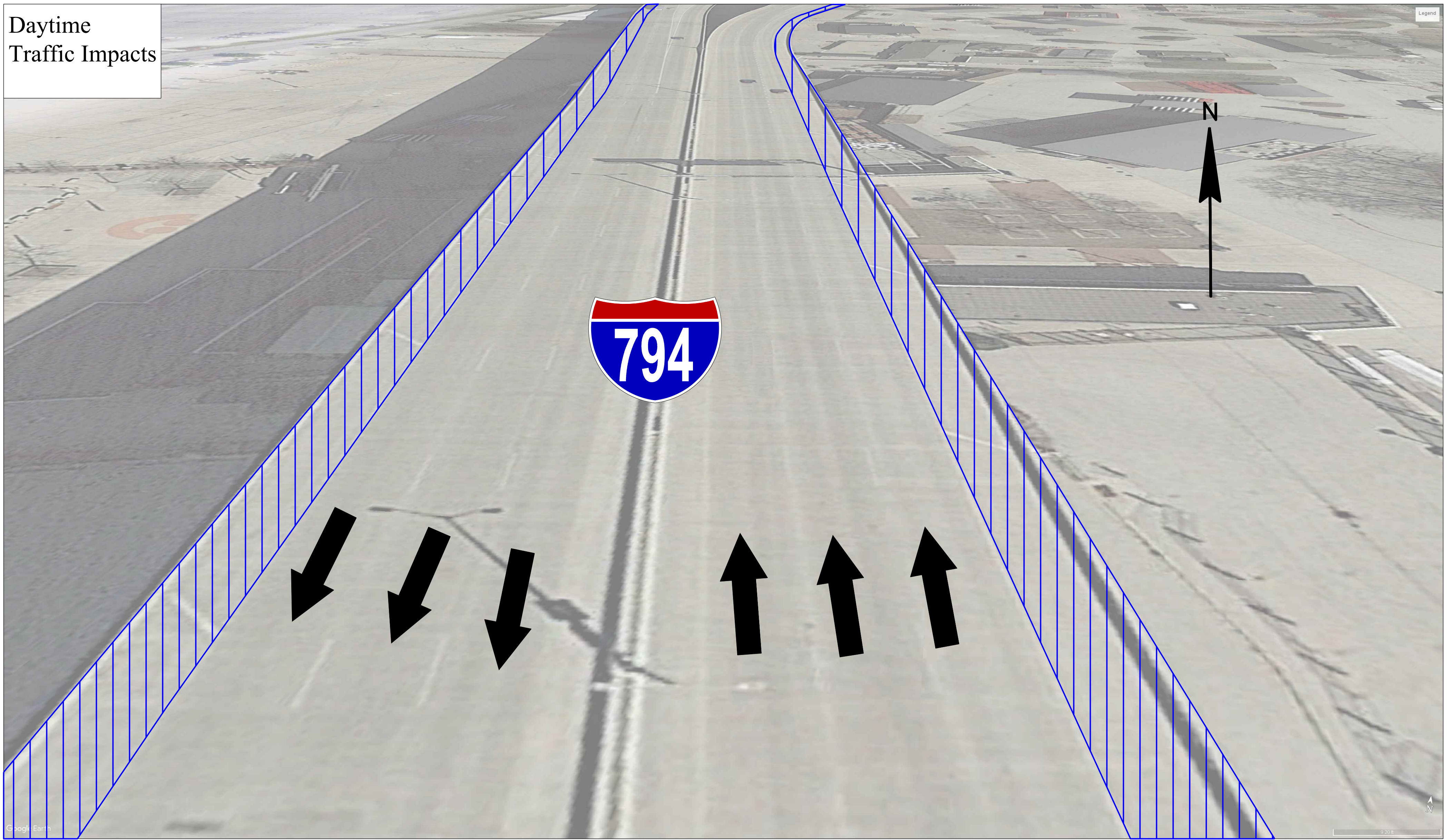
ELEVATION VIEW - OUTSIDE OF PARAPET



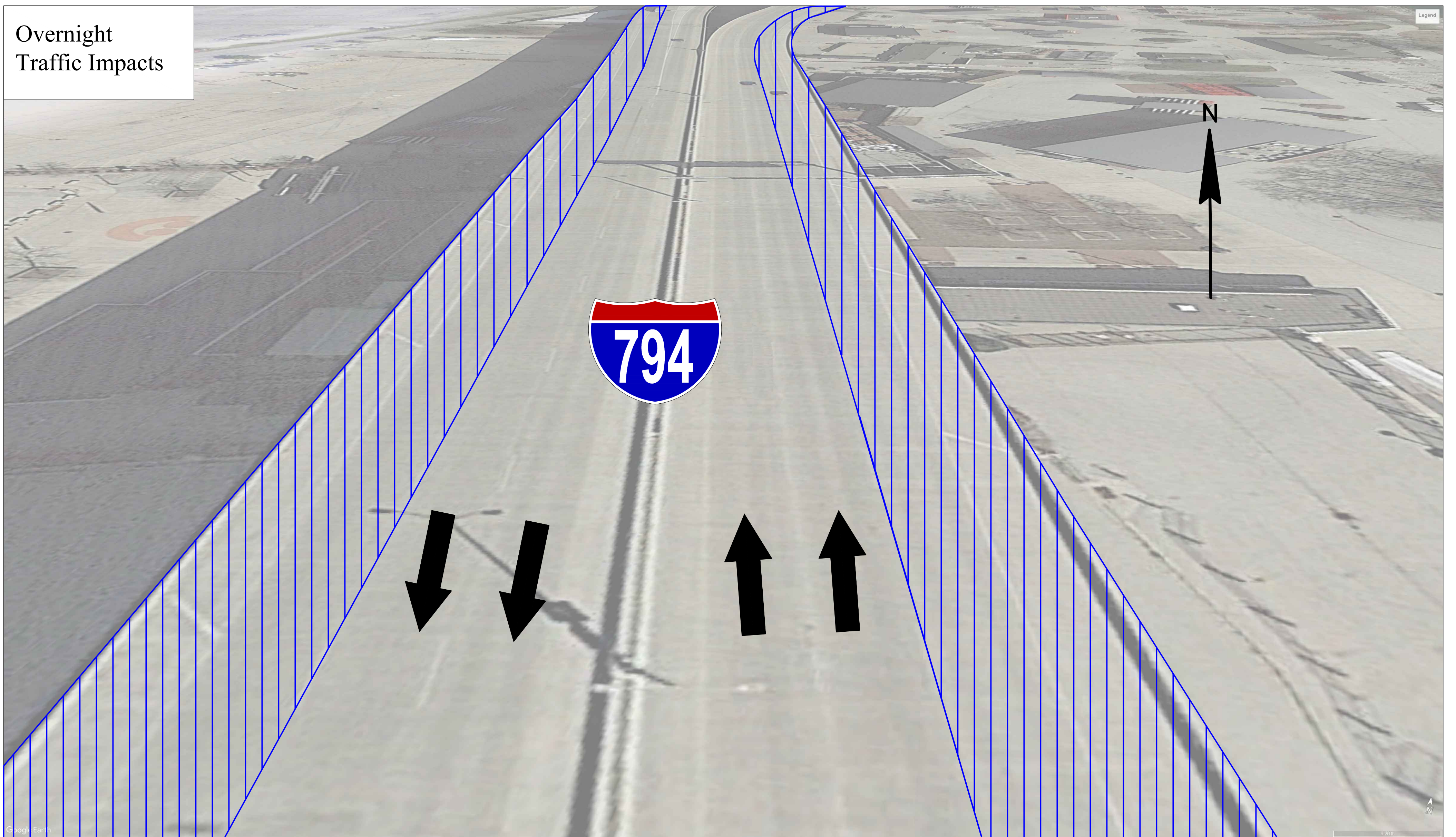
HOAN BRIDGE (I-794)
 SAFETY IMPROVEMENTS
 PROJECT ID 1300-15-00
 CITY OF MILWAUKEE
 MILWAUKEE COUNTY
 PUBLIC INVOLVEMENT MEETING
 AUGUST 30, 2022

TRAFFIC CONTROL OVERVIEW

Daytime
Traffic Impacts



Overnight
Traffic Impacts



CONSTRUCTION 2023



HOAN BRIDGE (I-794)
SAFETY IMPROVEMENTS
PROJECT ID 1300-15-00
CITY OF MILWAUKEE
MILWAUKEE COUNTY
PUBLIC INVOLVEMENT MEETING
AUGUST 30, 2022