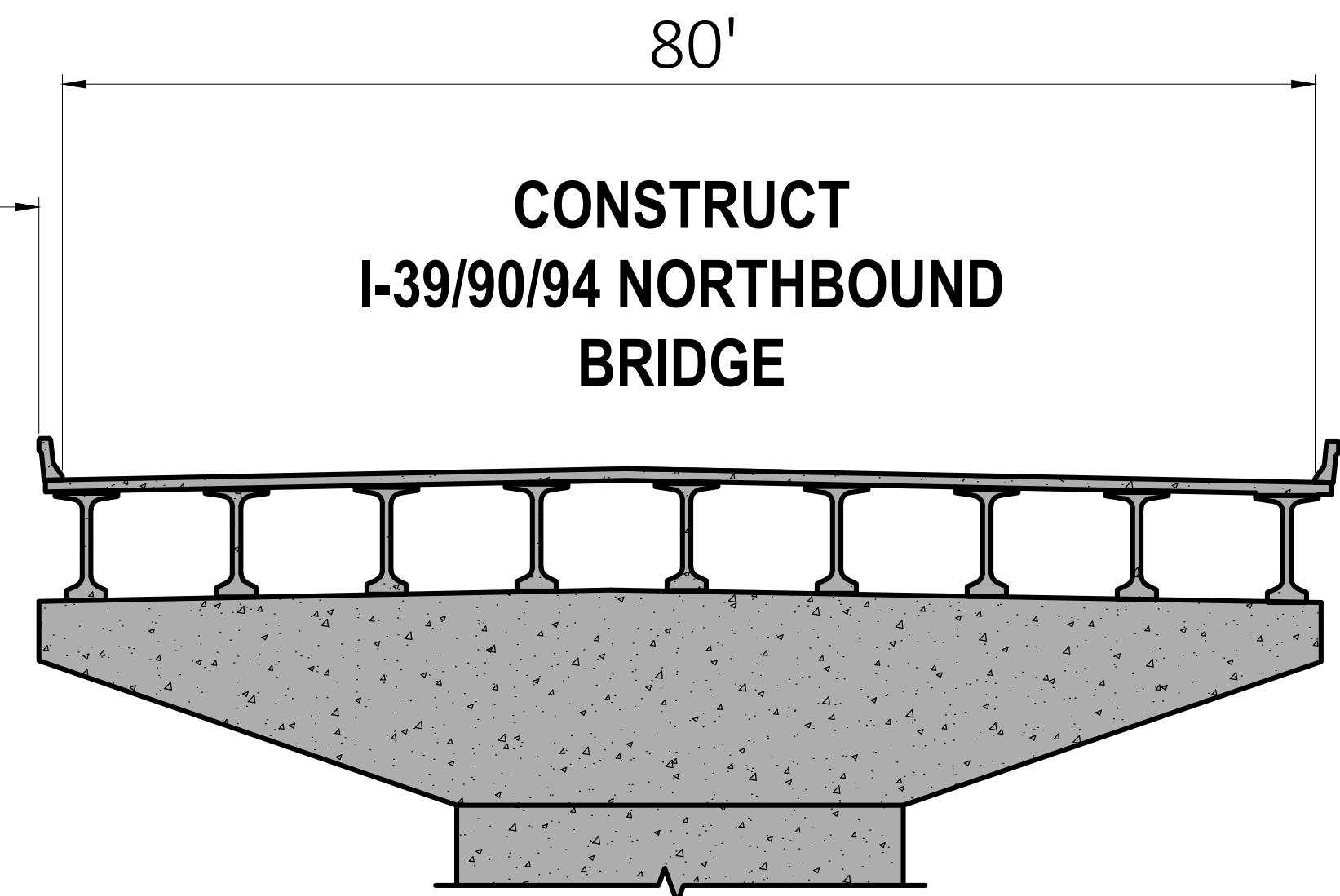
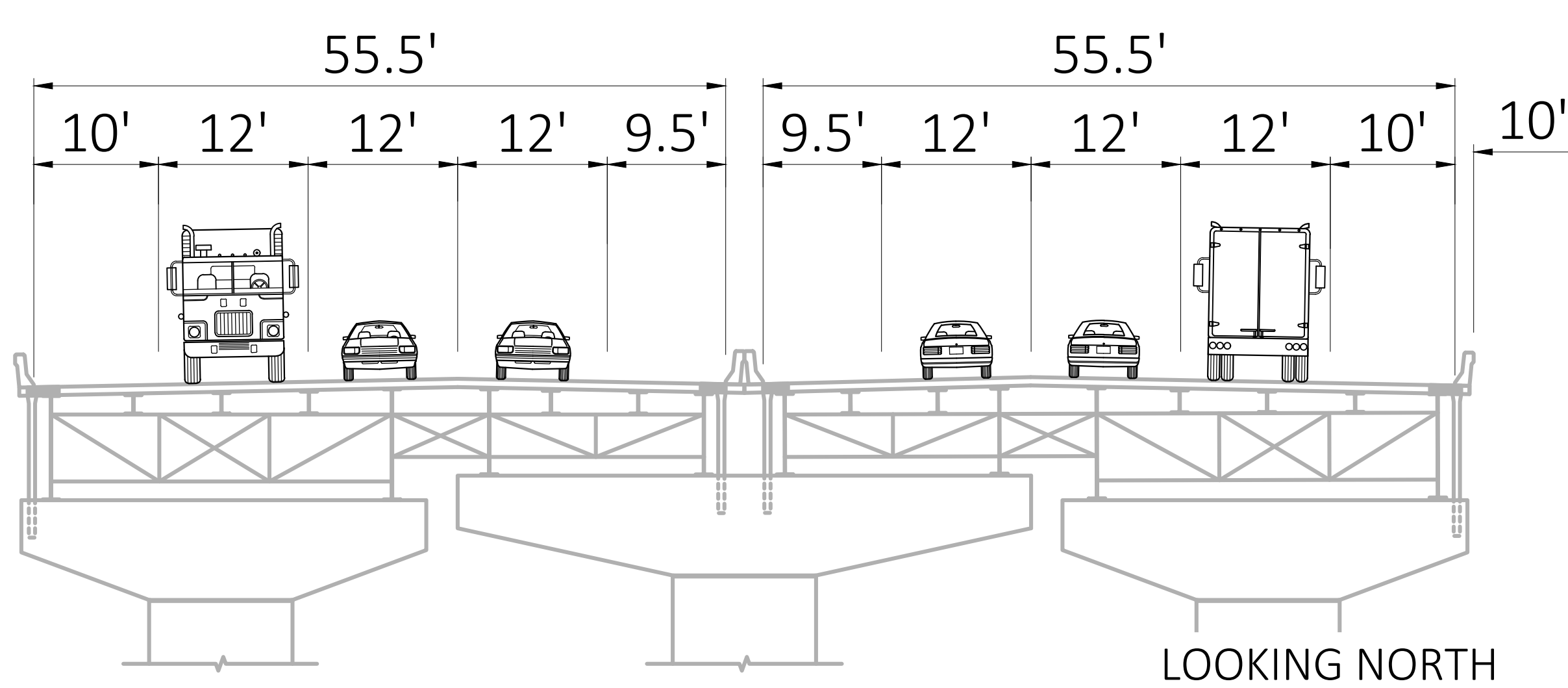




PROJECT ID 1010-10-02/82  
 WISCONSIN RIVER BRIDGES  
 I-39/90/94, COLUMBIA COUNTY  
 PUBLIC INVOLVEMENT MEETING  
 OCTOBER 27, 2022

PROPOSED CONSTRUCTION STAGING

**STAGE 1**

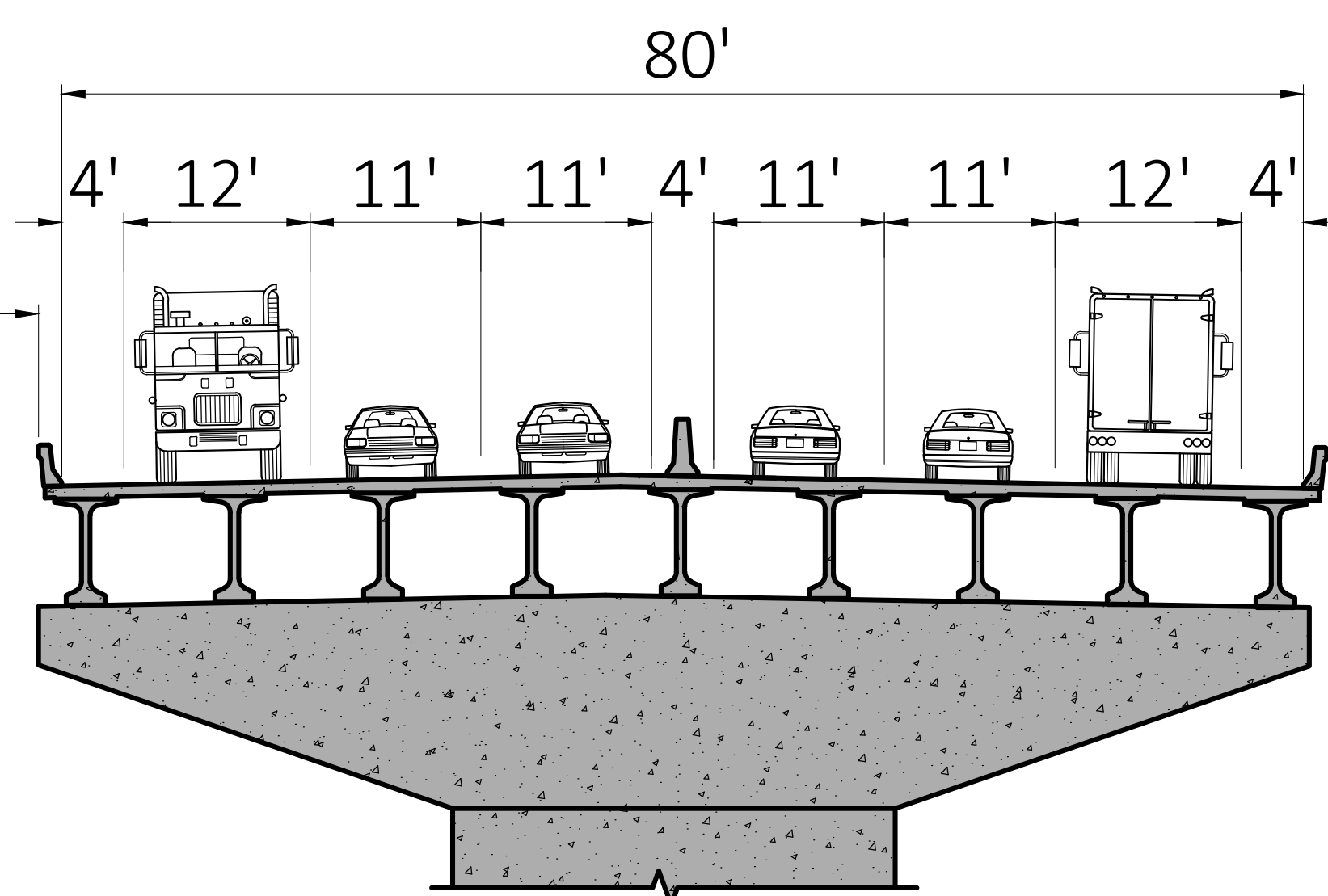
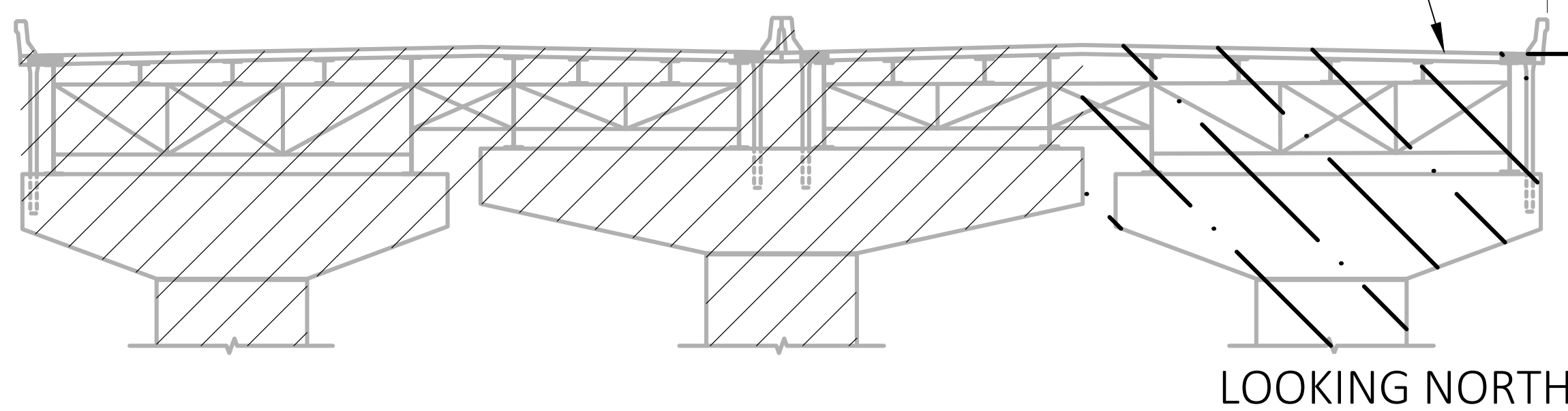


PROPOSED CONSTRUCTION STAGING

**STAGE 2**

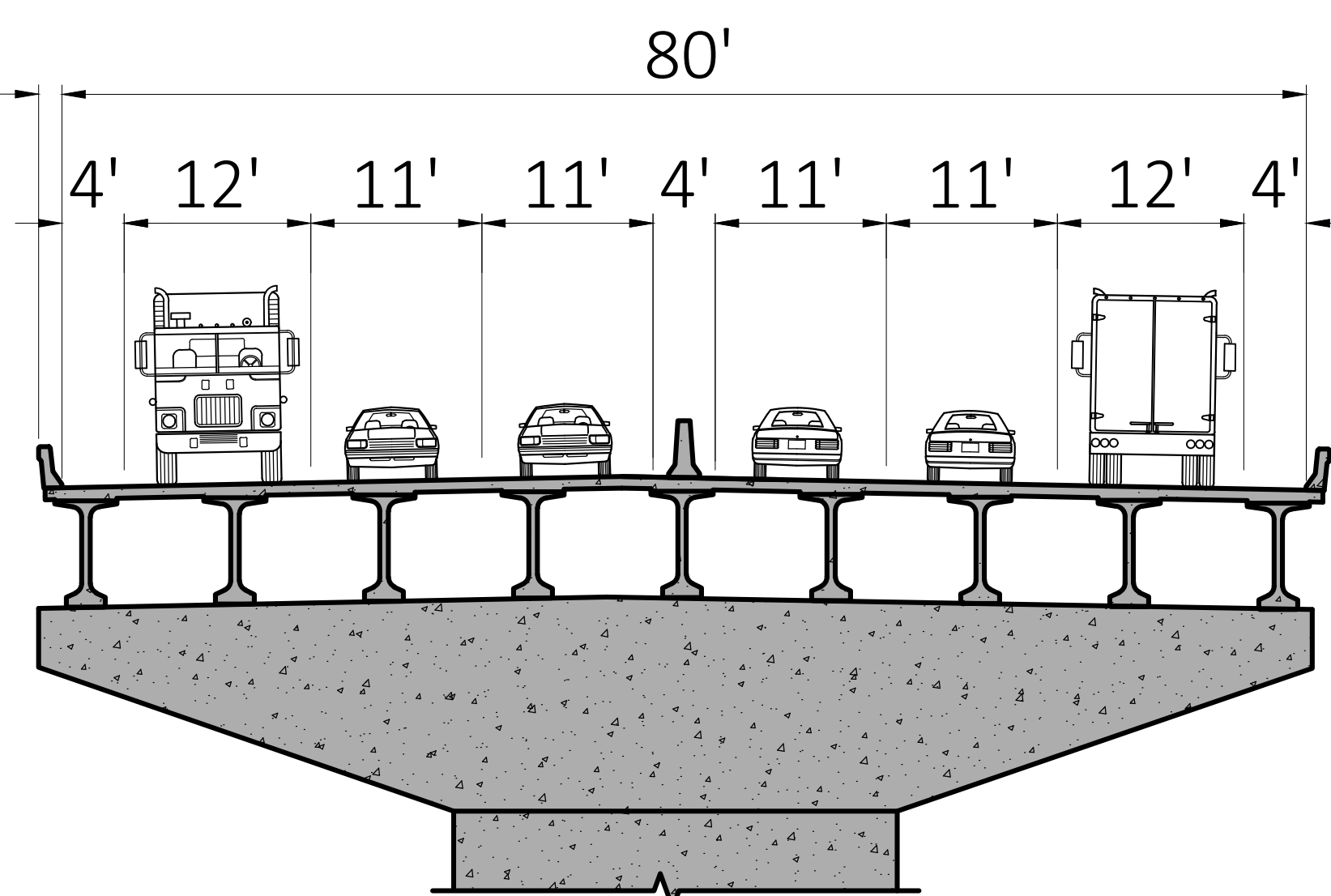
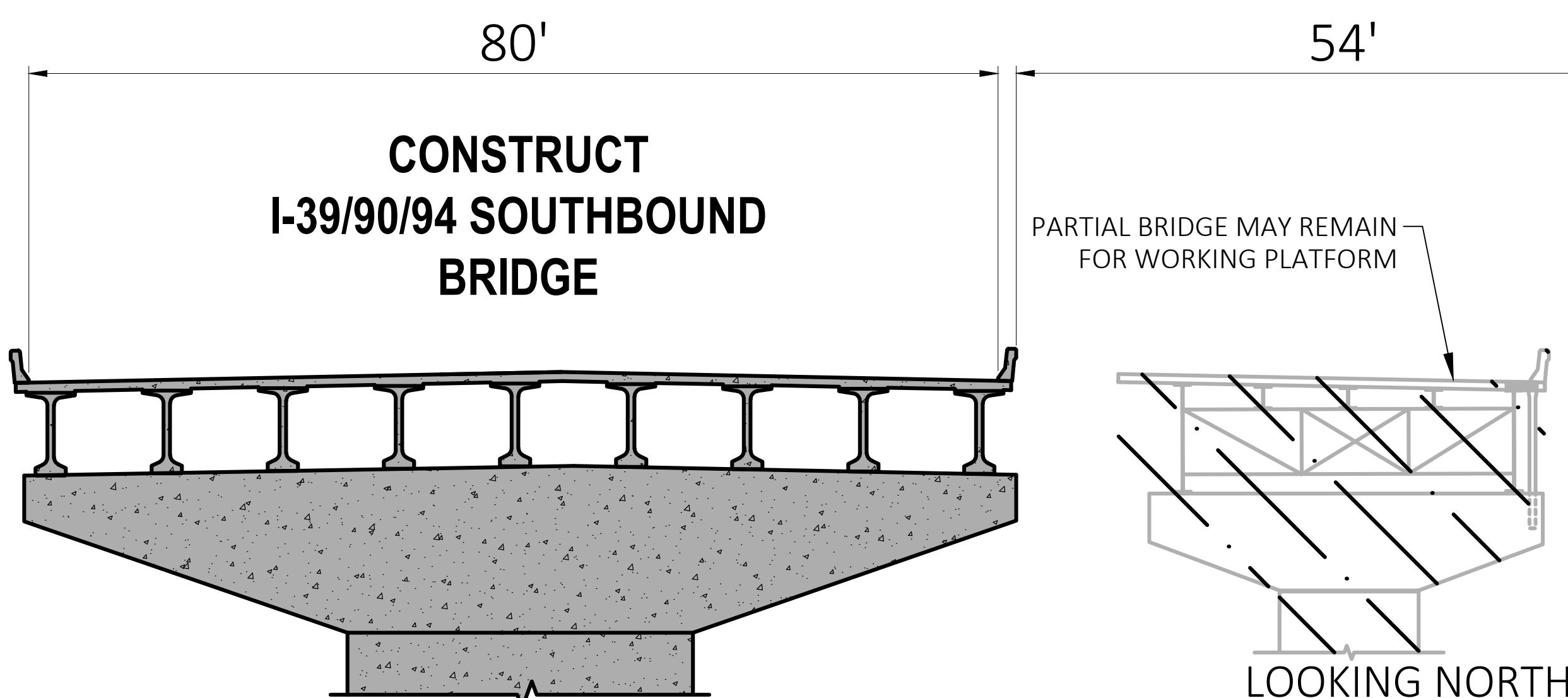
REMOVE  
 EXISTING I-39/90/94  
 BRIDGE

PARTIAL BRIDGE MAY REMAIN  
 FOR WORKING PLATFORM



CONSTRUCT  
 I-39/90/94 SOUTHBOUND  
 BRIDGE

PARTIAL BRIDGE MAY REMAIN  
 FOR WORKING PLATFORM



PROPOSED CONSTRUCTION STAGING

**STAGE 3**

FINAL  
 I-39/90/94 SOUTHBOUND  
 LANES

FINAL  
 I-39/90/94 NORTHBOUND  
 LANES

FINAL BRIDGE REMOVAL IF  
 USED AS WORKING PLATFORM

