



US 151 and County DE Intersection Town of Calamus

Virtual Public Involvement Meeting

March 2023

Presentation overview

- Project location
- Project purpose & need
- Proposed design overview
- Construction staging
- Project schedule
- Contact information



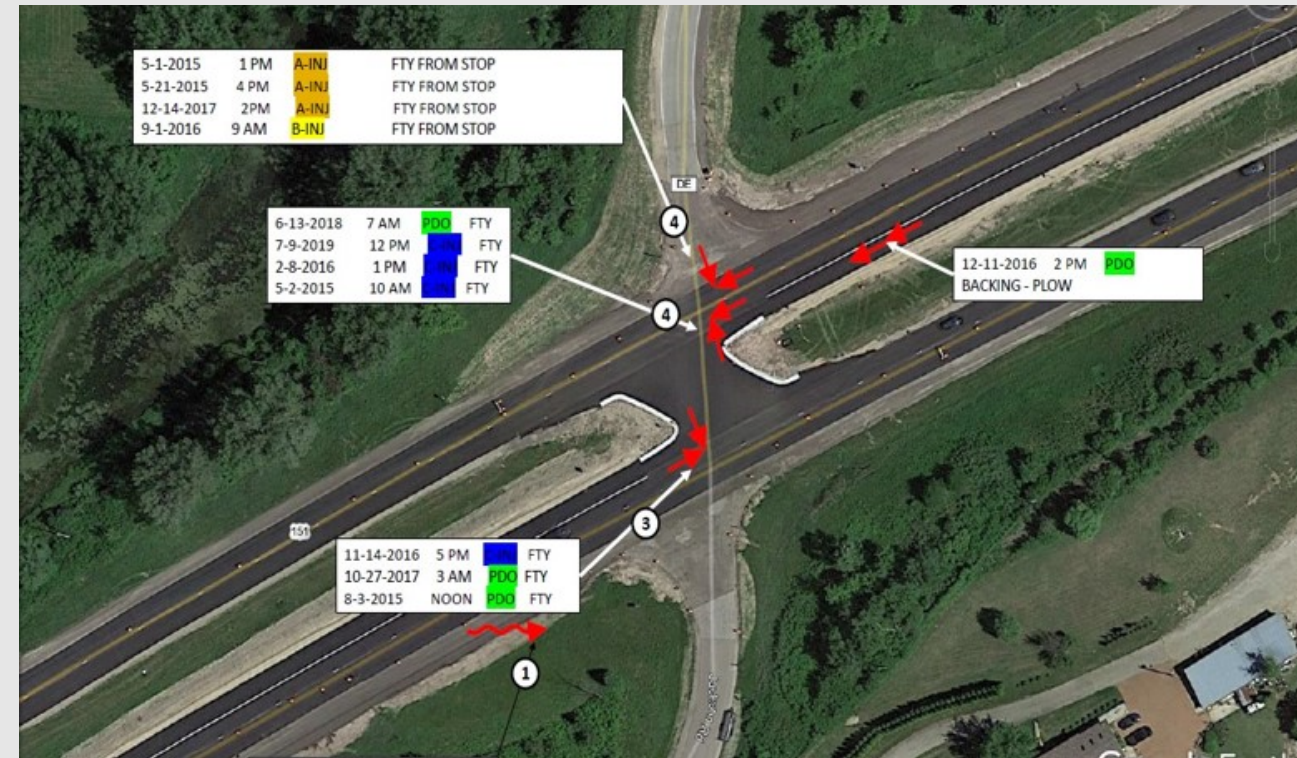
Project location



Project purpose and need

Intersection safety

- Project proposed to reduce/eliminate severe crashes
 - Failing to yield to oncoming traffic
 - 13 crashes between 2015 and 2019, with 8 injuries recorded
 - 7 intersection crashes between 2020 and 2022 with 1 fatality and 4 injuries recorded



Highway safety improvement program

- What is it?
 - Program goal – achieve significant reduction in traffic fatalities and serious injuries on public roads
 - Requires data-driven, strategic approach to improve the safety of the road while maintaining performance for years to come
 - Federal-aid program that funds projects with quick timeframes and smaller budgets



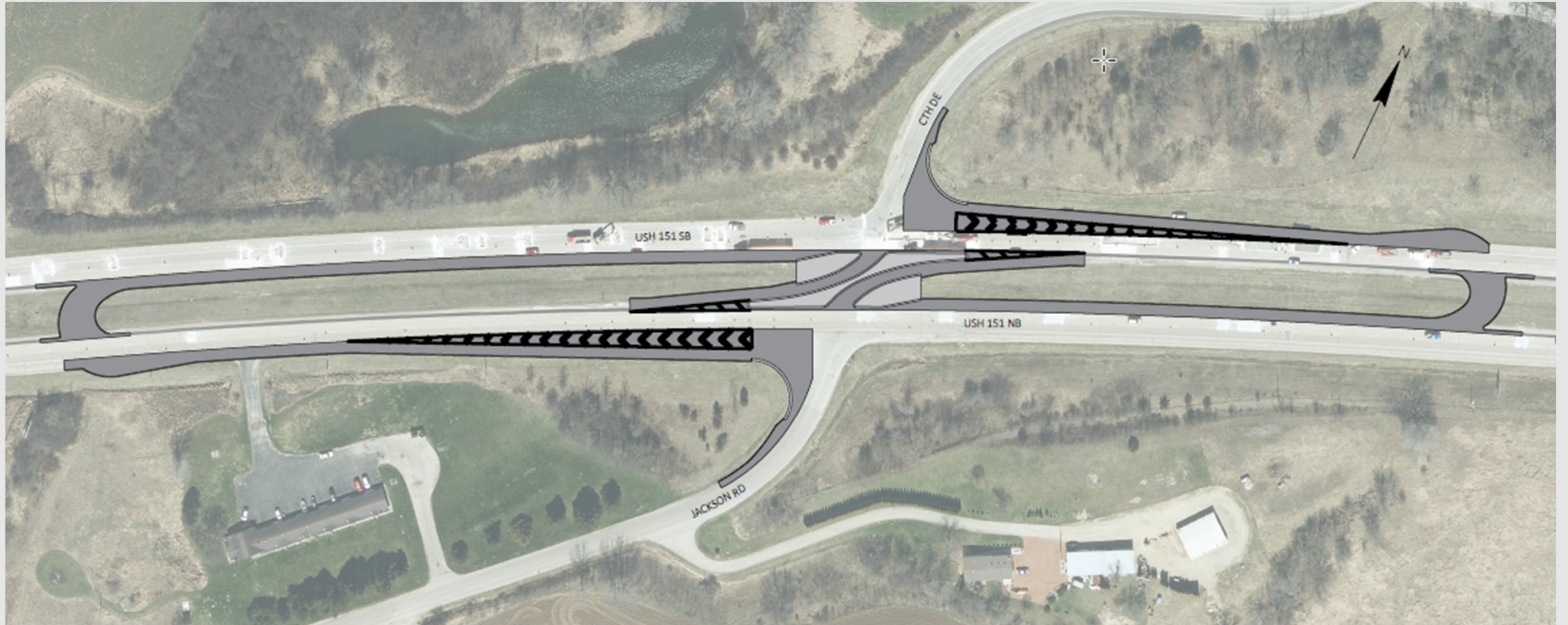
Proposed improvement

Restricted crossing U-turn (RCUT)

- Increased safety by reducing the number of conflict points from 42 to 24
- Simplifies driving task – only required to look at one direction of traffic at a time
- Motorists will still be able to make all turning movements
- Provides additional space for longer vehicles to store in median



Design overview

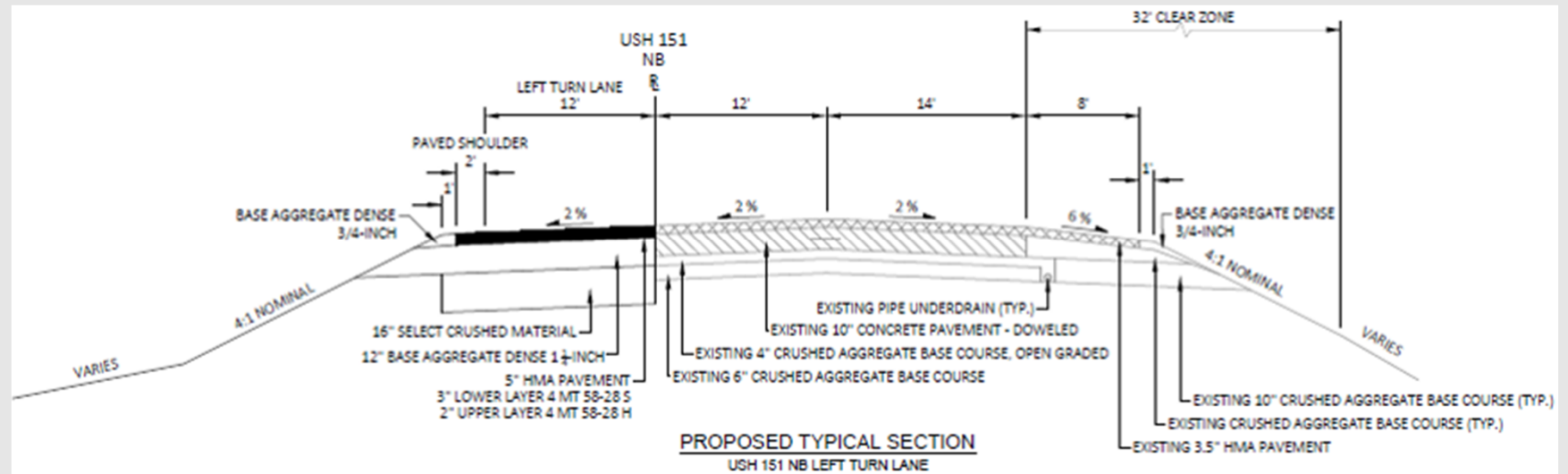


Design overview

Typical Sections – US 151

Left Turn Lane

- 12' Turn Lane
- 2' Paved Shoulder
- 1' Gravel Shoulder

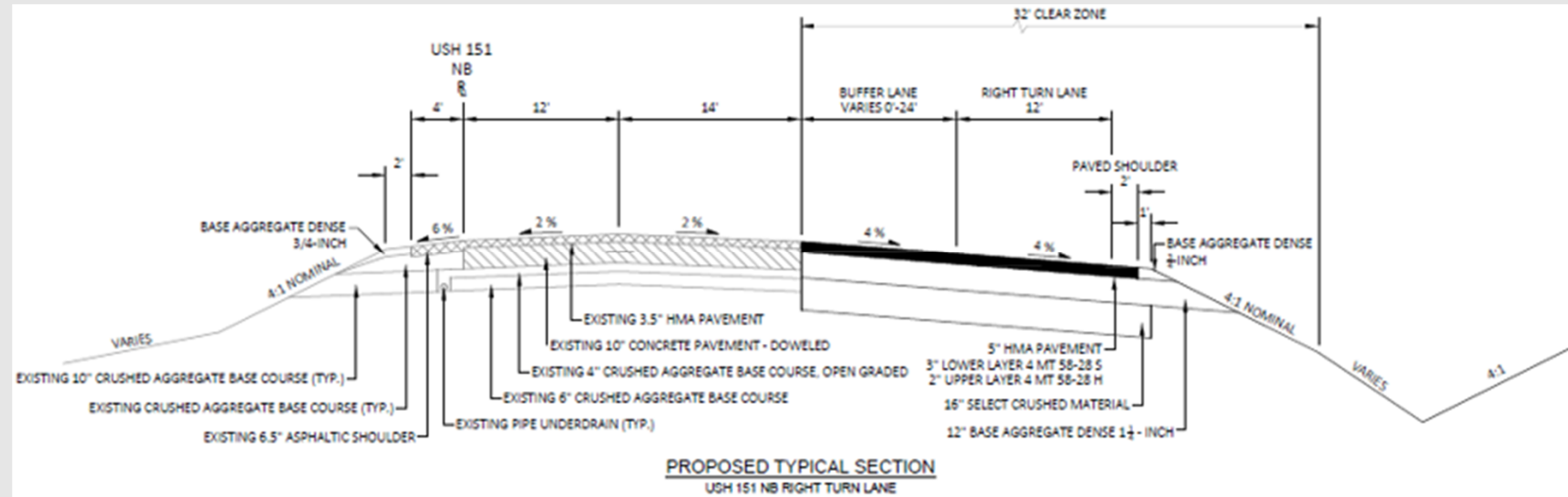


Design overview

Typical Sections – US 151

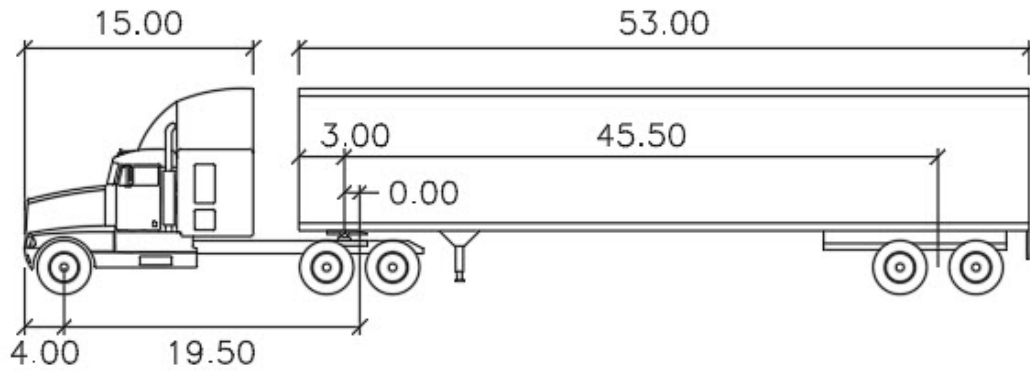
Offset Right Turn Lane

- 0'-24' Offset to provide sight of oncoming traffic
- 12' Right turn lane
- 2' Paved Shoulder
- 1' Gravel Shoulder



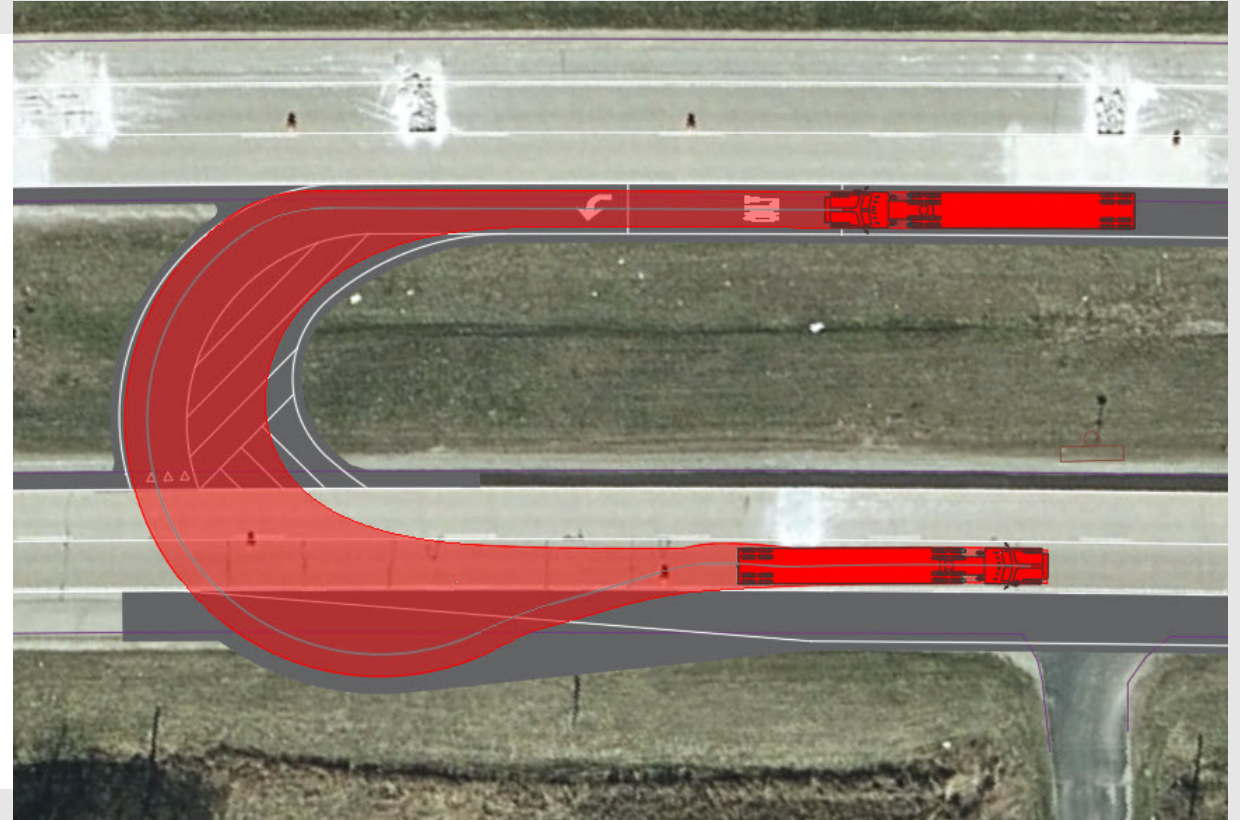
Design overview

Swept Path Analysis – WB-67



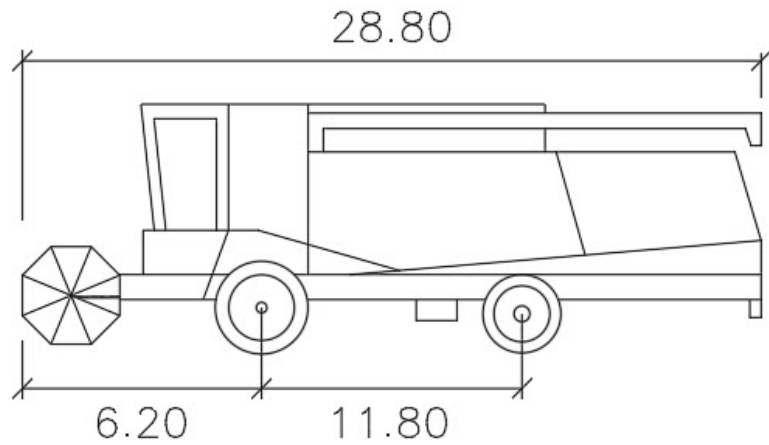
WB-67

	feet		
Tractor Width	: 8.00	Lock to Lock Time	: 6.0
Trailer Width	: 8.50	Steering Angle	: 28.4
Tractor Track	: 8.00	Articulating Angle	: 75.0
Trailer Track	: 8.50		



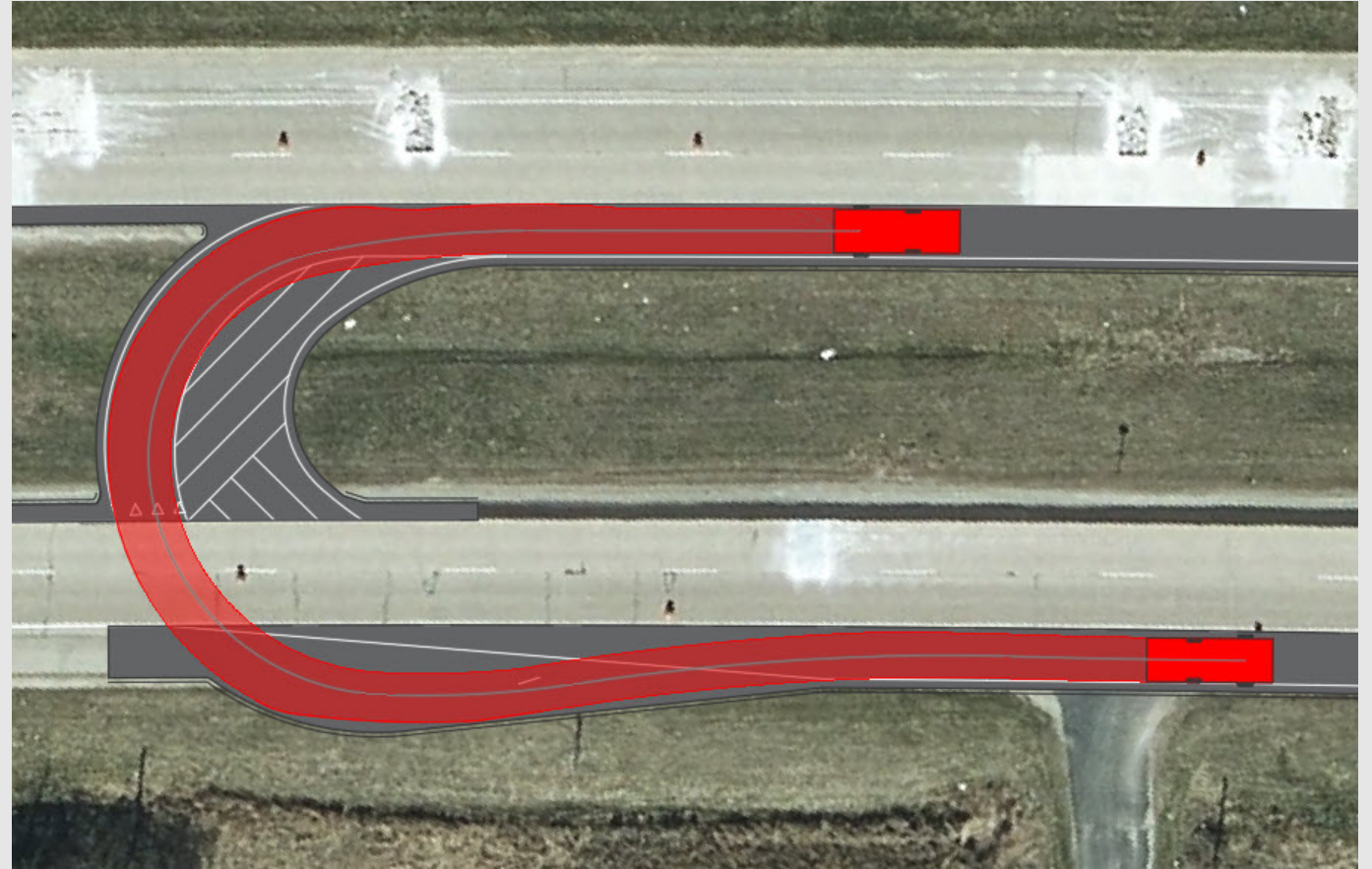
Design overview

Swept Path Analysis - Combine



Combine

	feet
Width	: 10.00
Track	: 11.78
Lock to Lock Time	: 8.0
Steering Angle	: 40.0



Proposed construction staging

- Maintaining safety and mobility are important during construction
- Proposed traffic impacts:
 - US 151 will be reduced to one lane in each direction during construction
 - Short term closure on County DE to replace culvert pipe and construct offset right turn lane
 - Short term closure on Jackson Road to construct offset right turn lane
- Construction will take place in 2025



Project schedule

- Preliminary plans Summer 2023
- Final Plans Approved August 2024
- Construction 2025



Business coordination

We're In This Together!

- Visit wisconsindot.gov/together
 - Tips, tools, and resources
 - New (2021) business coordination guide
- Project team is here to help
 - What information would help you...
 - Inform customers about the project?
 - Coordinate with suppliers?
 - Communicate with employees?



Project Contacts

Lucas Kluever

WisDOT Designer

Amy Coughlin

WisDOT Project Manager

Alex Hagen

WisDOT Project Development Supervisor



Contact Information

- Amy Coughlin, P.E.
 - Amy.Coughlin@dot.wi.gov
 - (608) 245-5358
- Michael Bie
 - Michael.Bie@dot.wi.gov
 - (608) 246-7928

Mailing Address

Attn: Amy Coughlin
WisDOT SW Region
2101 Wright Street
Madison, WI 53704

