

This presentation is for the project on WIS 78 between Eagle View Court and Weynand Road in Sauk County.

A public involvement meeting was scheduled for March 18, 2020. An in-person meeting is not planned based on public health guidance to limit public gatherings.

All meeting materials, including the handout with a comment form, are posted on the design [website](#) for this project.

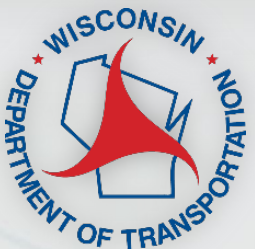
If you have questions, please contact Greg Brecka at 608- 516-6524 or Andy Fulcer at 920-362-6126.

WIS 78
Sauk City – IH 39
Eagle View Court – Weynand Road
Sauk County

5630-06-02

WisDOT SW Region

Village of Merrimac, Sauk County



History of Roadway

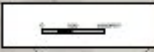
- WIS 78, Sauk City to Merrimac – Reconstructed 2009
- Recycled crushed concrete from Badger Ammunition plant used as base material.
- Recycled concrete material is retaining and trapping moisture causing extensive heaving and poor ride quality.
- Maintenance level project in 2018 to temporarily improve ride quality until a more extensive project could address roadway base issue.

Project Scope

- Project Limits: Eagle View Court to Weynand Road.
- Includes removing the entire roadway base structure.
- Geogrid and new base material will be placed.
- Old roadway base material will be removed from project and will not be used on any future projects.

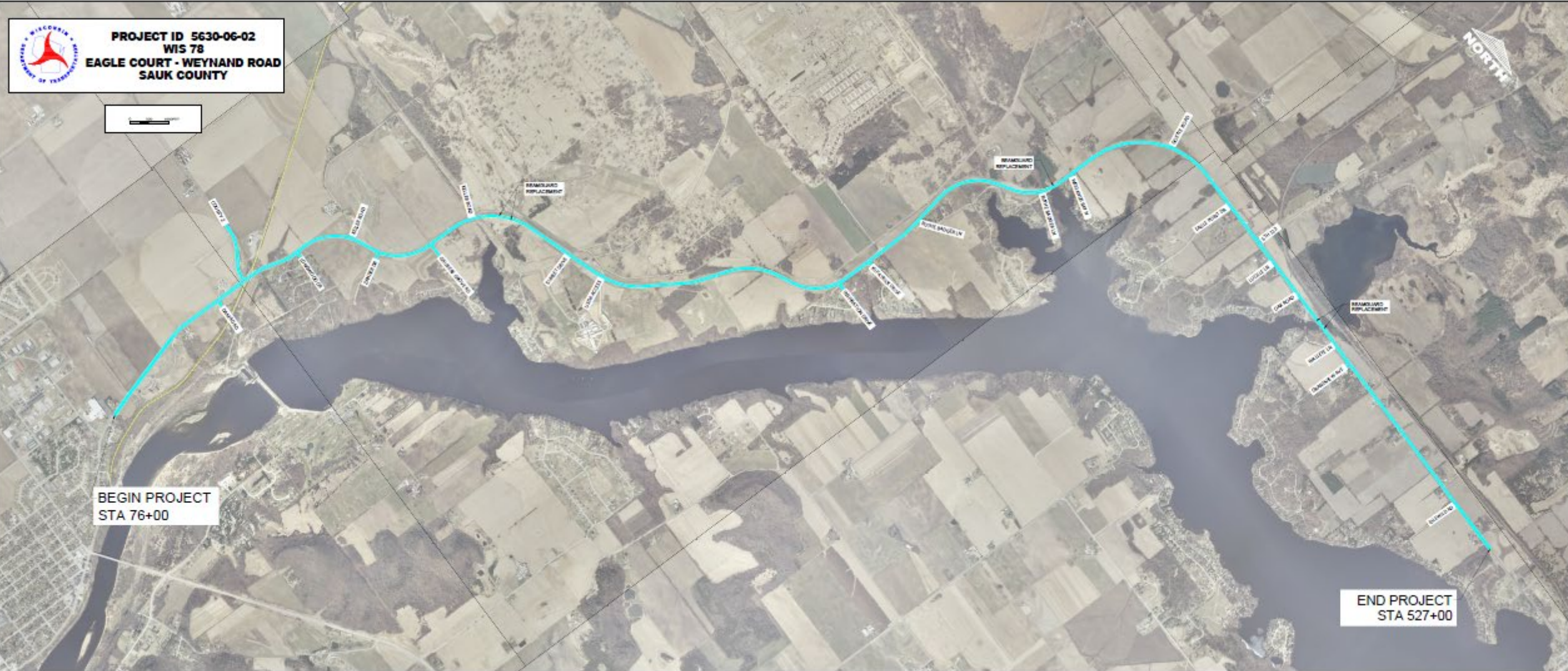


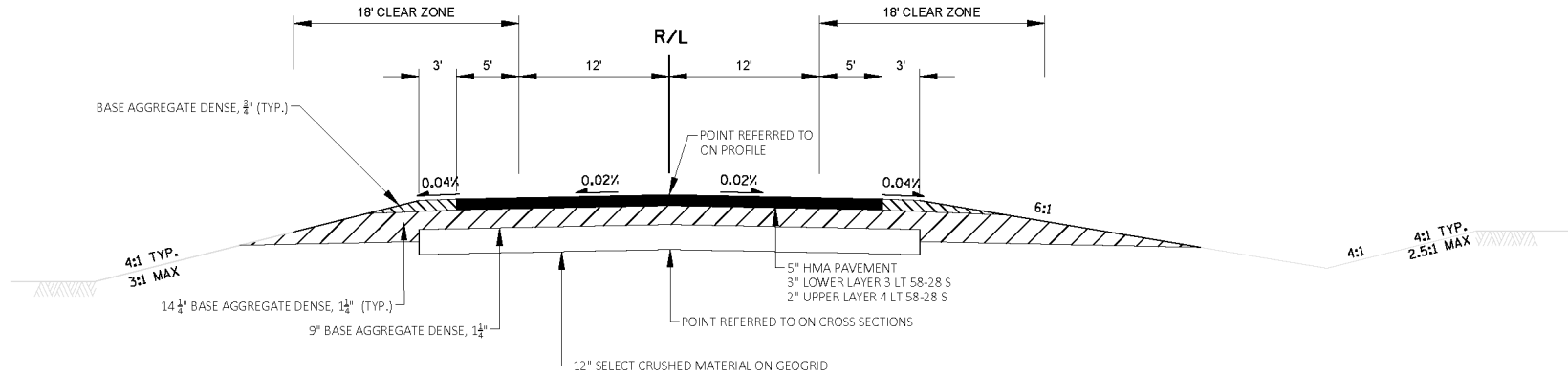
PROJECT ID 5630-06-02
WIS 78
EAGLE COURT - WEYNAND ROAD
SAUK COUNTY



BEGIN PROJECT
STA 76+00

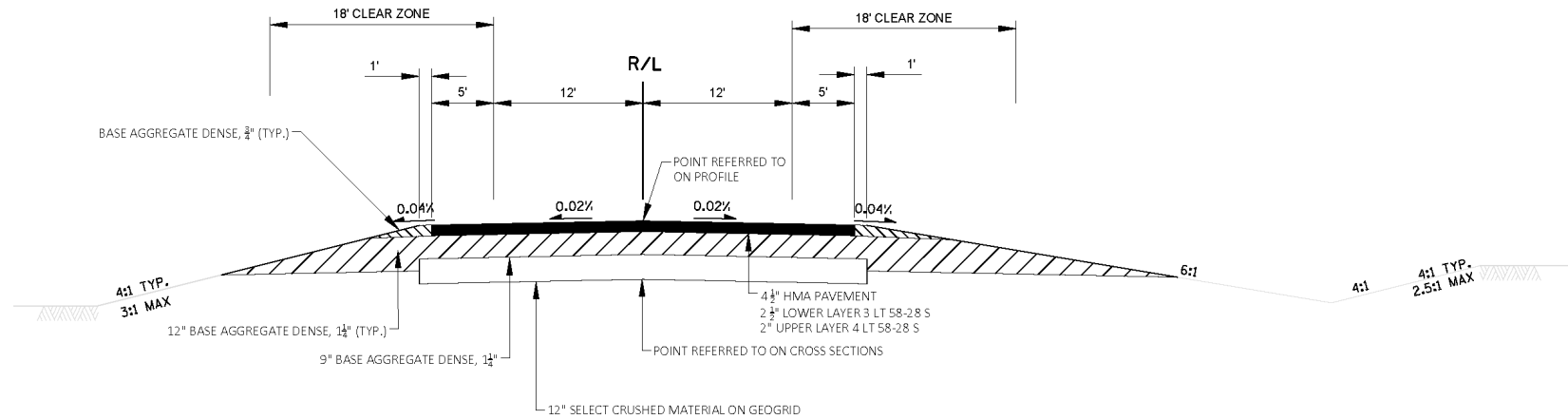
END PROJECT
STA 527+00





PROPOSED TYPICAL SECTION STH 78

STA 76+00 TO STA 125+00



PROPOSED TYPICAL SECTION STH 78

STA 125+00 TO STA 125+40
 STA 131+81 TO STA 182+64
 STA 186+01 TO STA 219+42
 STA 229+14 TO STA 293+00
 STA 296+00 TO STA 301+16
 STA 302+00 TO STA 354+29

STA 355+32 TO STA 362+00
 STA 363+00 TO STA 413+00
 STA 414+29 TO STA 444+70
 STA 448+01 TO STA 456+00
 STA 459+52 TO STA 519+49
 STA 524+00 TO STA 527+00

Project Schedule and Detour

- Construction will begin April 2021.
- Expected completion September 2021.
- During construction, WIS 78 will be detoured for the duration of the project between Eagle View Court and Weynand Road.
- Detour: WIS 60 to IH 39/94 to WIS 78
- Local access will be maintained (may only be from one direction or other).
- Temporary driveway closures will be necessary during phases of the construction process.

Questions and Input

- Provide comments using comment form posted on the [project website](#) (fill in using pdf editor or print/write on comment form)
 - Comment form can be mailed to:
Andy Fulcer
Wisconsin Dept of Transportation
944 Vanderperren Way
Green Bay, WI 54304
- Or emailed to:
 - Gregory.Brecka@dot.wi.gov or Andrew.Fulcer@dot.wi.gov