

DESIGN DATA

CONTRACTOR DESIGNED OVERHEAD SIGN STRUCTURES SHALL BE DESIGNED ACCORDING TO THE AASHTO "LRFD SPECIFICATIONS FOR STRUCTURAL SUPPORTS FOR HIGHWAY SIGNS, LUMINAIRES AND TRAFFIC SIGNALS", 1ST EDITION AND INTERIM SPECIFICATIONS, AND THE WISDOT BRIDGE MANUAL.

STANDARD FOUNDATIONS DESIGNED ACCORDING TO THE AASHTO LRFD BRIDGE DESIGN SPECIFICATIONS, 8TH EDITION.

DEAD LOAD: WT. OF SIGN AND SUPPORTING STRUCTURE
 ICE LOAD: 3 PSF TO ONE FACE OF SIGN & SURFACE OF MEMBERS
 WIND PRESSURE: 115 MPH (3-SEC. GUST SPEED) TO SIGN AREA & EXPOSED MEMBERS (700 YEAR MEAN RECURRENCE INTERVAL)

WIND COMPONENTS	NORMAL	TRANSVERSE
LOAD CASE 1:	1.00	0.00
LOAD CASE 2:	0.00	1.00
LOAD CASE 3:	0.75	0.75

LOAD COMBINATIONS

STRENGTH I:	1.25 DC + 1.6 LL
EXTREME I (MAX DC):	1.1 DC + 1.0 W + 1.0 ICE
EXTREME I (MIN DC):	0.9 DC + 1.0 W
SERVICE I:	1.0 DC + 1.0 W
FATIGUE:	1.0 NW (NATURAL WIND GUST) 1.0 TrG (TRUCK INDUCED GUST) 1.0 GVW (GALLOPING - CANTILEVER ONLY)

MATERIAL PROPERTIES

CONCRETE MASONRY $f'_c = 3,500$ PSI

HIGH STRENGTH STEEL REINFORCEMENT, GRADE 60 $f_y = 60,000$ PSI

STRUCTURAL ANGLES, PLATES & BARS - ASTM A709 GRADE 36 $f_y = 36,000$ PSI

HIGH STRENGTH BOLTS - ASTM A3125 GRADE A325 $f_y = 92,000$ PSI

ANCHOR RODS - ASTM F1554 GRADE 55 $f_y = 55,000$ PSI

HEAVY HEX NUTS - ASTM A563 GRADE DH OR ASTM A194 GRADE 2H

WASHERS - ASTM F436

DTI WASHERS - ASTM F959 TYPE 325

FOUNDATION DATA

SIGN STRUCTURE FOUNDATIONS ARE SUPPORTED ON DRILLED SHAFTS THAT HAVE BEEN DESIGN FOR SITES WHERE SOILS EXHIBIT A PHI-ANGLE GREATER THAN OR EQUAL TO 24° (GRANULAR SOILS), OR A COHESION VALUE GREATER THAN OR EQUAL TO 750 PSF (COHESIVE SOILS) AND A UNIT WEIGHT OF 125 PCF. THE GROUND WATER TABLE FOR DESIGN IS ASSUMED TO BE AT A DEPTH OF 10'-0" BELOW THE GROUND SURFACE, ACTUAL WATER LEVEL AT SITE MAY VARY. THE REGION GEOTECHNICAL ENGINEER SHALL VISUALLY INSPECT THE SUBSURFACE SOILS DURING THE DRILLING OF THE SHAFT HOLE TO CONFRIM THESE PROPERTIES PRIOR TO PLACEMENT OF THE DRILLED SHAFT CONCRETE.

TOTAL ESTIMATED QUANTITIES

BID ITEM NO.	BID ITEM	UNIT	S-XX-XXXX	S-XX-XXXX
204.024X	REMOVING ANCILLARY STRUCTURE XXXXXXXX (STRUCTURE)	EA		
531.20XX	DRILLING SHAFT XX-INCH	LF		
531.5XXX	FOUNDATION SINGLE-SHAFT TYPE XX-XX	EA		
532.51XX	MONOTUBE CANTILEVER TYPE XX-XX	EA		
532.52XX	MONOTUBE FULL SPAN TYPE XX-XX	EA		
532.53XX	TRUSS CANTILEVER 2-CHORD TYPE XX-XX	EA		
532.54XX	TRUSS FULL SPAN 2-CHORD TYPE XX-XX	EA		

PROVIDE QUANTITIES FOR EACH SIGN STRUCTURE IN THE PLAN SET.

SUPER AND SUBSTRUCTURE QUANTITY BID ITEMS SHOULD MATCH UNLESS NON-STANDARD FOUNDATIONS ARE USED

GENERAL NOTES

DRAWINGS SHALL NOT BE SCALED.

ALTERNATE DESIGNS ARE NOT ALLOWED.

COORDINATES ON THIS PLAN ARE REFERENCED TO THE WISCONSIN COUNTY COORDINATE SYSTEM (WCCS), XXXX COUNTY ZONE, NAD 83 (1997). ALL STATIONS AND ELEVATIONS ARE IN FEET. ELEVATIONS ARE REFERENCED TO THE NORTH AMERICAN VERTICAL DATUM NAVD 88 (2007).

ALL REINFORCING BARS ARE IN ENGLISH UNITS. THE FIRST DIGIT OF A THREE-DIGIT BAR MARK OR THE FIRST TWO DIGITS OF A FOUR-DIGIT BAR MARK SIGNIFIES THE BAR SIZE.

SIGN BRIDGE ID PLAQUES SHALL BE CONSIDERED INCIDENTAL TO THE TRUSS OR MONOTUBE BID ITEMS FOR EACH APPLICABLE SIGN STRUCTURE IN THE PLAN SET. LOCATE THE ID PLAQUE ON THE FREEWAY SIDE OF THE SUPPORT COLUMN SO THAT IT CAN BE SEEN FROM THE ROADWAY. FABRICATE AND INSTALL THE ID PLAQUE IN ACCORDANCE WITH S.D.D. 12 A4-3.

UNLESS DETAILED OTHERWISE IN THE PLANS, ALL H.S. BOLTED CONNECTIONS SHALL BE MADE WITH $\frac{3}{4}$ " DIA. A325 GALVANIZED BOLTS. FIELD CONNECTIONS SHALL BE INSTALLED WITH DTI WASHERS.

WELDED CONNECTIONS CAN BE USED IN LIEU OF BOLTED CONNECTIONS, IF A TRUSS UNIT CAN BE GALVANIZED IN ONE PIECE.

WELD TEST AS PER AWS D1.1.

SEE SIGN PLATE NO. A4-6, A4-7A & A4-7B OF THE SIGN PLATE MANUAL FOR INSTRUCTIONS ON CENTERING SIGNS VERTICALLY ON THE TRUSS.

SIGNS OR BLANKS SHALL BE INSTALLED ON TRUSS AT TIME OF ERECTION. BLANKS SHALL BE $\frac{1}{4}$ THE LENGTH OF THE CANTILEVER SPAN, 2'-0" DEEPER THAN THE C/L TO C/L OF CHORDS, AND SHALL BE CENTERED ON THE BRIDGE. SIGNS SHALL BE AS DESIGNATED ON THE PLANS.

THE INFORMATION SHOWN ON THESE DRAWINGS CONCERNING TYPE AND LOCATION OF UTILITIES IS NOT GUARANTEED TO BE ACCURATE OR ALL-INCLUSIVE. THE CONTRACTOR IS RESPONSIBLE FOR MAKING HIS OWN DETERMINATION OF THE TYPE AND LOCATION OF UTILITIES AS MAY BE NECESSARY TO AVOID DAMAGE.

CONTRACTOR SHALL SUBMIT SHOP DRAWINGS PER THE REQUIREMENTS IN THE STANDARD SPECIFICATIONS PRIOR TO FABRICATION OF THE STRUCTURE. CONTRACTOR SHALL SHOW SIGNS ON THE SHOP DRAWINGS.

THE CONTRACTOR SHALL BE RESPONSIBLE FOR DRILLING OR EXCAVATING AND MAINTAINING A STABLE AND OPEN HOLE FOR SUBSEQUENT INSTALLATION OF CONCRETE MASONRY FOR THE DRILLED SHAFTS. PARTIAL OR FULL DEPTH TEMPORARY CASING MAY BE REQUIRED TO MAINTAIN THE STABILITY OF THE EXCAVATED HOLE FOR THE SIGN SUPPORT PRIOR TO FILLING THE HOLE WITH CONCRETE. PERMANENT CASING MADE FROM STEEL OR CORRUGATED METAL PIPE MAY BE USED IN LIEU OF TEMPORARY CASING. TEMPORARY/PERMANENT CASING, IF USED, SHALL BE INCIDENTAL TO THE BID ITEM "DRILLING SHAFT (DIA.)".

STRUCTURE DATA

STRUCTURE ID	SIGN AREA	SIGN DEPTH	FOUNDATION TYPE	TRUSS TYPE
S-XX-XXX	XXX SF	X'-X"	TYPE XX	TYPE XX

SIGN AREA AND DEPTH ARE TO BE LARGER OF ACTUAL SIGN AREA OR EXPECTED FUTURE SIGN (IF KNOWN), THIS SHOULD MATCH LAYOUT SHEET. CONTRACTOR WILL DESIGN TO LIMITS AND SIGN LOCATIONS ON LAYOUT SHEETS.

LIST OF DRAWINGS:

- GENERAL NOTES & DESIGN DATA
- LAYOUT S-XX-XXXX

LIST OF STANDARD DESIGN DRAWINGS

- MONOTUBE & 2-CHORD TRUSS CONNECTIONS 1
- MONOTUBE & 2-CHORD TRUSS CONNECTIONS 2
- MONOTUBE & 2-CHORD TRUSS ELECTRICAL DETAILS
- MONOTUBE & 2-CHORD TRUSS FOUNDATIONS

STATE PROJECT NUMBER

XXXX-XX-XX

TRAFFIC VOLUME

A.D.T. = (20XX) = X,XXX
 R.D.S. = XX MPH

DESIGNER NOTES:

A RED BOX INDICATES DATA TO BE EDITED BY THE PERSON EDITING THE SHEET. SOME ARE BLOCKS THAT INCLUDE VISIBILITY STATES AND TEXT ATTRIBUTES.

CONSULTANTS .ADD STAMP AND UPDATE TITLE BLOCK INCLUDING LOGO AND DESIGNER CONTACT INFORMATION

THESE ARE STANDARD DESIGN PLANS DEVELOPED AND MAINTAINED BY THE WISDOT. THE DESIGNER CERTIFIES THAT THE DESIGN AND PLAN DETAILS CHOSEN ARE CONSISTENT WITH THE GUIDANCE PROVIDED IN THE CURRENT WISDOT BRIDGE MANUAL CHAPTER 39.

STRUCTURE DESIGN CONTACTS:
 AARON BONK 608-261-0261
 CONSULTANT PHONE

NO.	DATE	REVISION	BY

STATE OF WISCONSIN
 DEPARTMENT OF TRANSPORTATION

ACCEPTED _____ DATE _____
 CHIEF STRUCTURES DESIGN ENGINEER

MONOTUBE & 2-CHORD

LOCATION DESCRIPTION

COUNTY _____ TOWN/CITY/VILLAGE _____

DESIGN SPEC.
 AASHTO LRFD BRIDGE DESIGN SPECIFICATION
 DESIGNED BY _____ DESIGNED CK'D _____ DRAWN BY _____ PLANS CK'D _____

GENERAL NOTES & DESIGN DATA

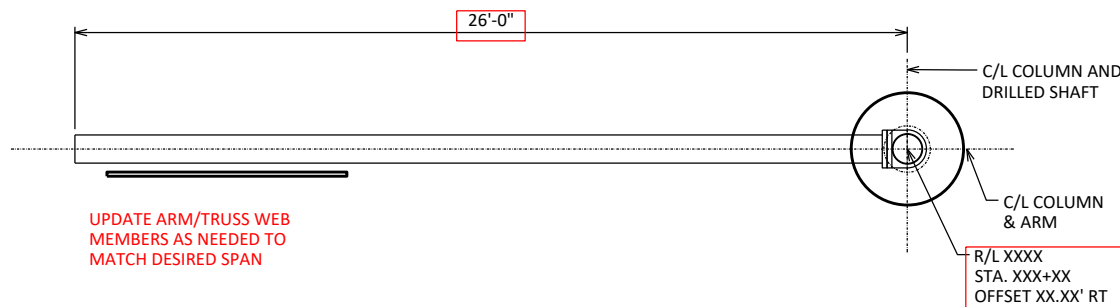
SHEET 1 OF _____

I.D.

DATE:

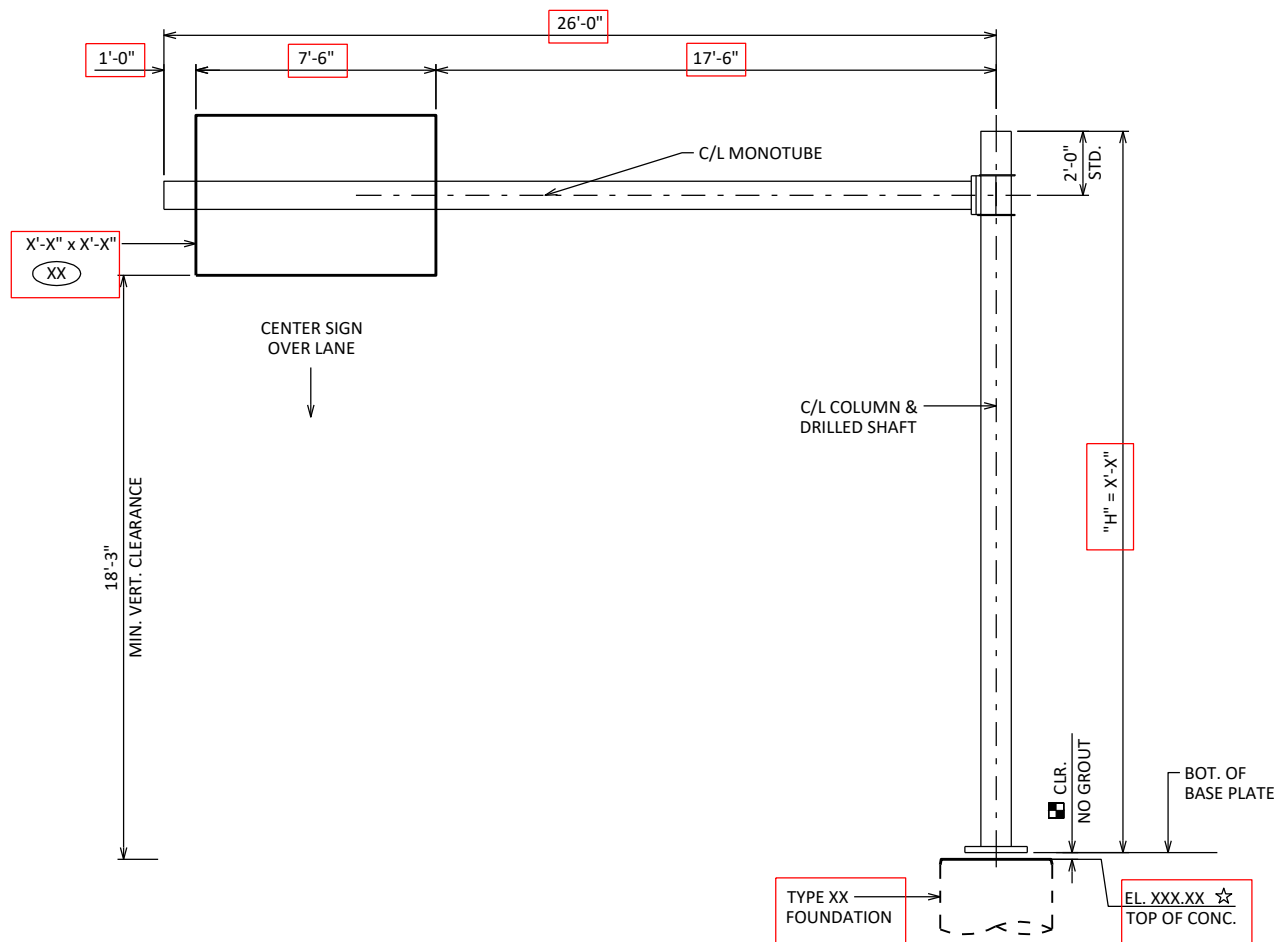
SCALE =

STATION INCREASE ↑



PLAN

STA. XXX+00 (HIGHWAY AND DIRECTION)
GENERAL LOCATION DESCRIPTION
(EX. ¼ MILE S. OF CAPITOL DR.)



ELEVATION

LOOKING (DIRECTION) AT F.F. OF SIGN

LOCATION MAP

DESIGNER NOTES:

PROVIDE PLAN AND ELEVATION VIEWS. UPDATE LOCATION MAP, AND TITLE BLOCK INFO AS APPROPRIATE FOR YOUR PROJECT. INCLUDE RELEVANT DIMENSIONS TO REFERENCE LINES, CROSS SECTION AND LANE, SHOULDER WIDTH, SLOPE ELEVATIONS, ETC. AS APPROPRIATE.

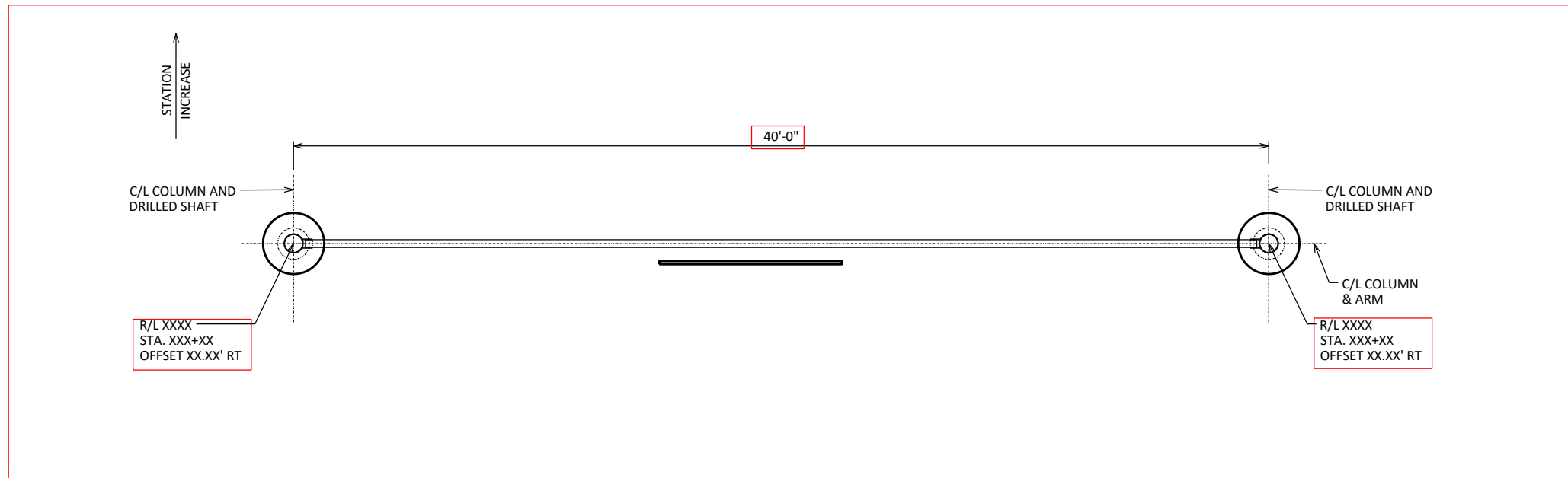
RED BOXES INDICATE DATA TO BE UPDATED FOR EACH STRUCTURE.

LEGEND

- ☆ ELEVATIONS GIVEN ALONG C/L STRUCTURE
- (XXX) SIGN NUMBER, SEE PERMANENT SIGNING PLAN
- STANDOFF DIMENSION IS ASSUMED TO BE 2½", BUT IS A MAX. OF 2 x ANCHOR ROD DIAMETER. SEE FOUNDATION DETAILS SHEET AND SHOP DRAWINGS FOR MORE INFORMATION.

NO.	DATE	REVISION	BY
STATE OF WISCONSIN DEPARTMENT OF TRANSPORTATION			
STRUCTURE S-XX-XXXX			
DRAWN BY		PLANS CK'D	
LAYOUT			SHEET

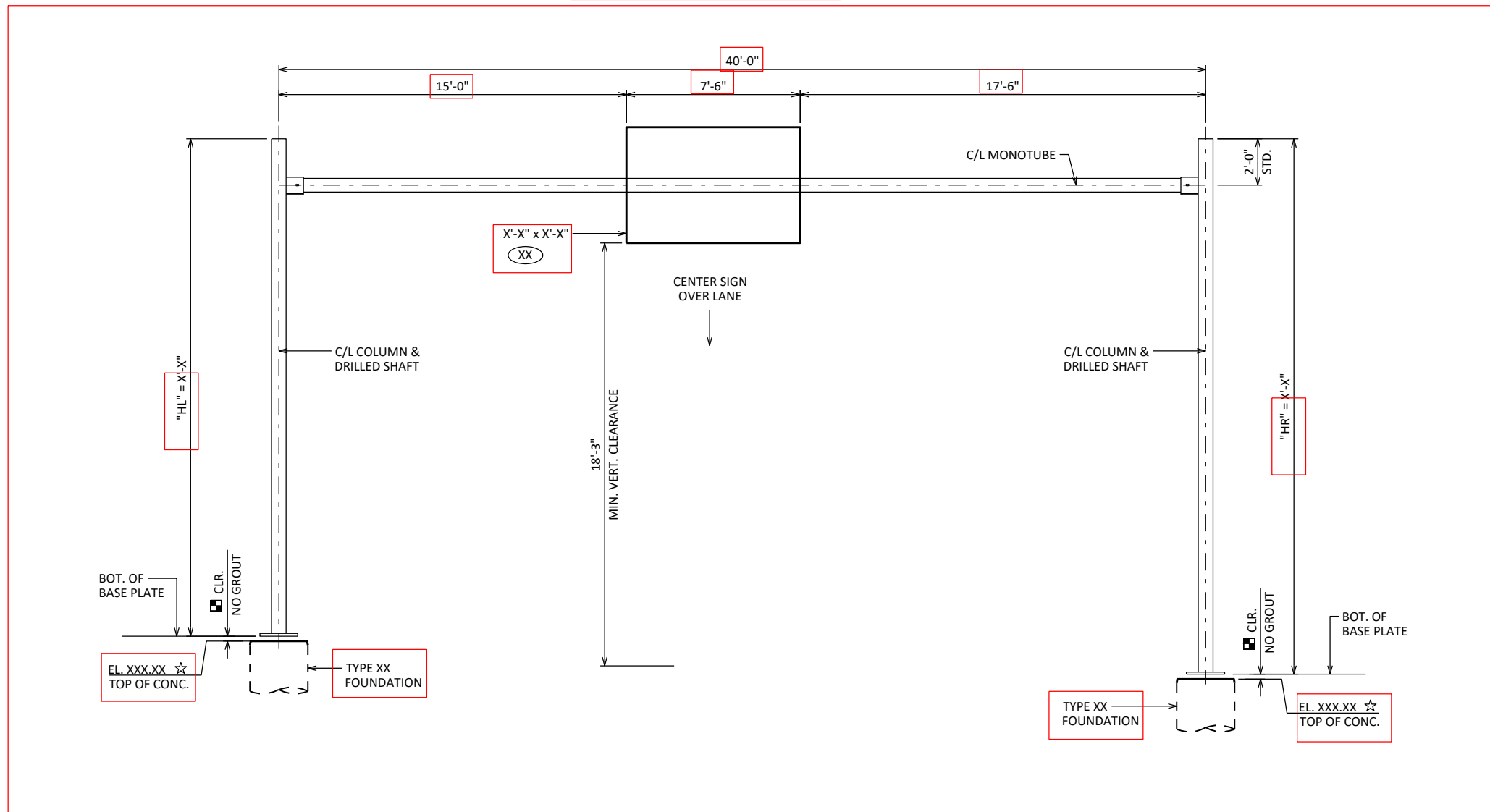
SCALE =



PLAN

UPDATE ARM/TRUSS WEB MEMBERS AS NEEDED TO MATCH DESIRED SPAN

STA. XXX+00 (HIGHWAY AND DIRECTION)
GENERAL LOCATION DESCRIPTION
(EX. ¼ MILE S. OF CAPITOL DR.)



ELEVATION

LOOKING (DIRECTION) AT F.F. OF SIGN

LOCATION MAP

DESIGNER NOTES:

PROVIDE PLAN, ELEVATION, END VIEW, LOCATION MAP, AND TITLE BLOCK INFO AS APPROPRIATE FOR YOUR PROJECT. INCLUDE RELEVANT REFERENCE LINES, CROSS SECTION AND LANE/SHOULDER WIDTH, SLOPE AND ELEVATIONS AS APPROPRIATE.

RED BOXES INDICATE DATA TO BE UPDATED FOR EACH STRUCTURE.

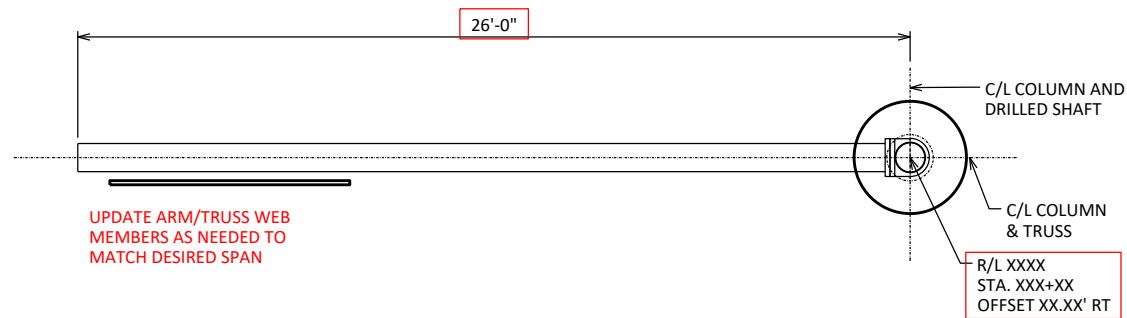
LEGEND

- ☆ ELEVATIONS GIVEN ALONG C/L STRUCTURE
- (XXX) SIGN NUMBER, SEE PERMANENT SIGNING PLAN
- STANDOFF DIMENSION IS ASSUMED TO BE 2½", BUT IS A MAX. OF 2 x ANCHOR ROD DIAMETER. SEE FOUNDATION DETAILS SHEET AND SHOP DRAWINGS FOR MORE INFORMATION.

NO.	DATE	REVISION	BY
STATE OF WISCONSIN DEPARTMENT OF TRANSPORTATION			
STRUCTURE S-XX-XXXX			
DRAWN BY		PLANS CK'D	
LAYOUT			SHEET

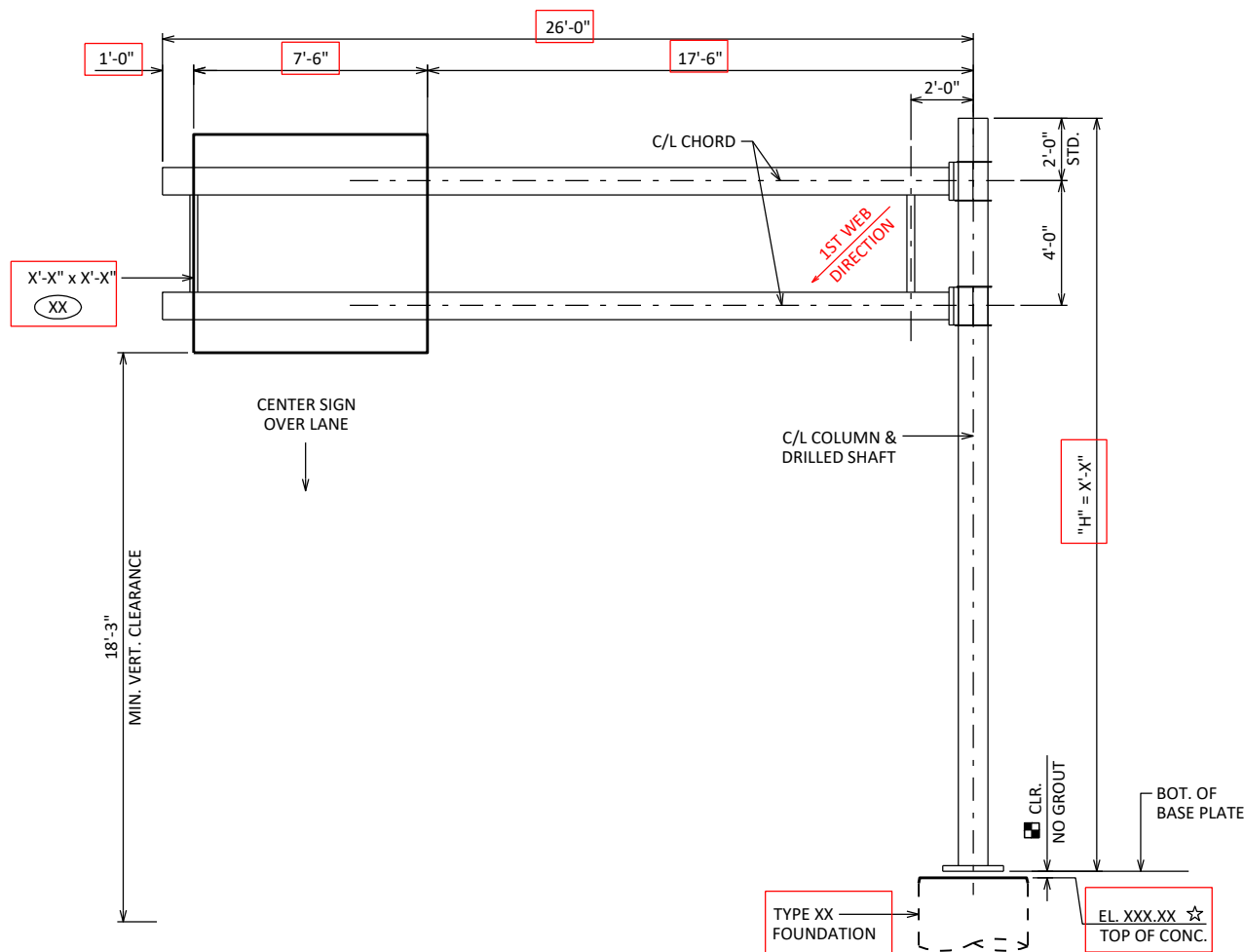
SCALE =

STATION INCREASE ↑



PLAN

STA. XXX+00 (HIGHWAY AND DIRECTION)
GENERAL LOCATION DESCRIPTION
(EX. ¼ MILE S. OF CAPITOL DR.)



ELEVATION

LOOKING (DIRECTION) AT F.F. OF SIGN

LOCATION MAP

DESIGNER NOTES:

PROVIDE PLAN, ELEVATION, END VIEW, LOCATION MAP, AND TITLE BLOCK INFO AS APPROPRIATE FOR YOUR PROJECT. INCLUDE RELEVANT REFERENCE LINES, CROSS SECTION AND LANE/SHOULDER WIDTH, SLOPE AND ELEVATIONS AS APPROPRIATE.

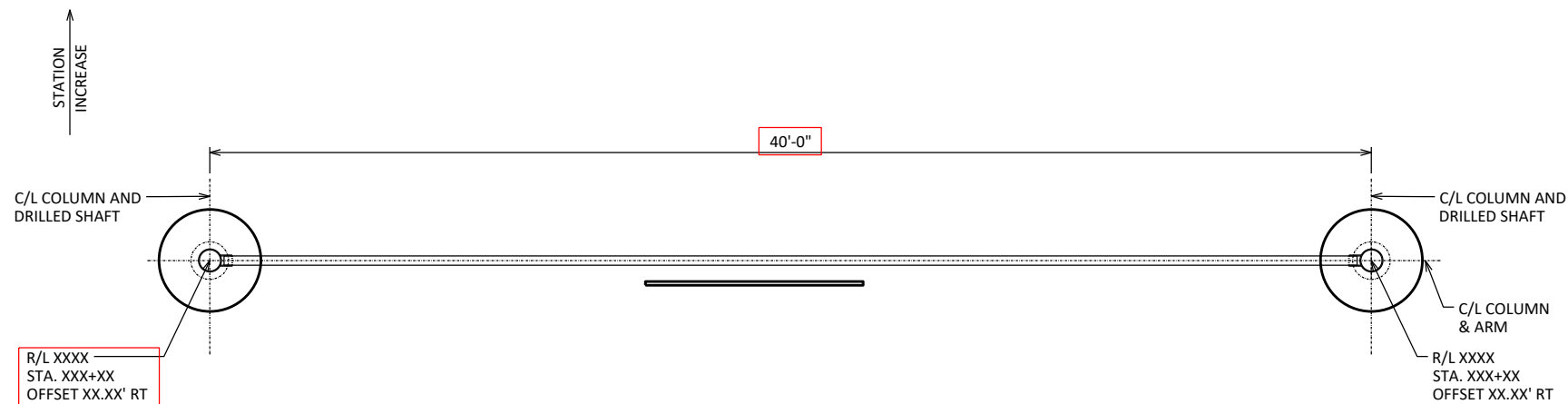
RED BOXES INDICATE DATA TO BE UPDATED FOR EACH STRUCTURE.

LEGEND

- ☆ ELEVATIONS GIVEN ALONG C/L STRUCTURE
- (XX) SIGN NUMBER, SEE PERMANENT SIGNING PLAN
- STANDOFF DIMENSION IS ASSUMED TO BE 2½", BUT IS A MAX. OF 2 x ANCHOR ROD DIAMETER. SEE FOUNDATION DETAILS SHEET AND SHOP DRAWINGS FOR MORE INFORMATION.

NO.	DATE	REVISION	BY
STATE OF WISCONSIN DEPARTMENT OF TRANSPORTATION			
STRUCTURE S-XX-XXXX			
DRAWN BY		PLANS CK'D	
LAYOUT			SHEET

SCALE =

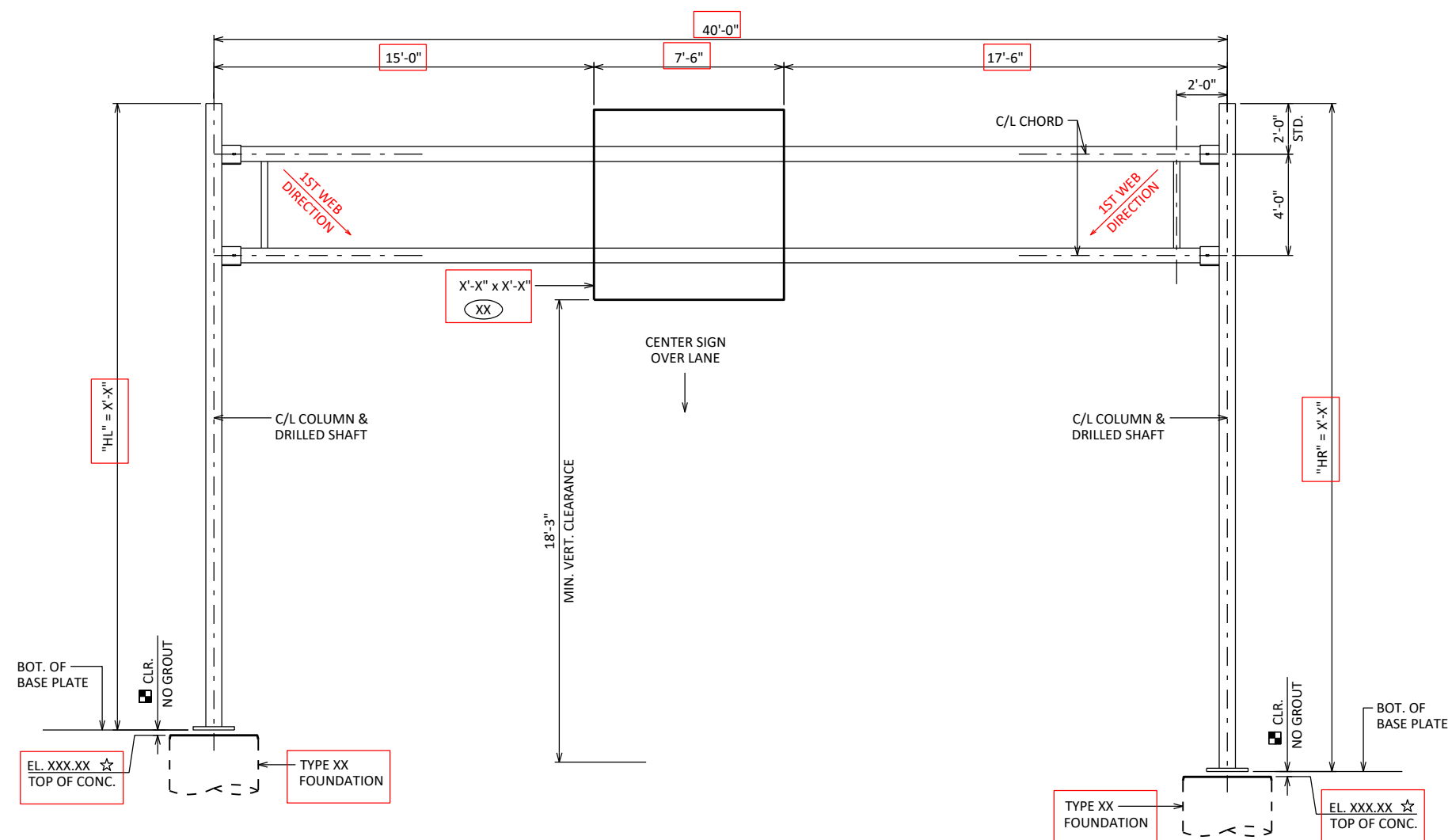


PLAN

UPDATE ARM/TRUSS WEB MEMBERS AS NEEDED TO MATCH DESIRED SPAN

STA. XXX+00 (HIGHWAY AND DIRECTION)
GENERAL LOCATION DESCRIPTION
(EX. ¼ MILE S. OF CAPITOL DR.)

LOCATION MAP



ELEVATION

LOOKING (DIRECTION) AT F.F. OF SIGN

DESIGNER NOTES:

PROVIDE PLAN, ELEVATION, END VIEW, LOCATION MAP, AND TITLE BLOCK INFO AS APPROPRIATE FOR YOUR PROJECT. INCLUDE RELEVANT REFERENCE LINES, CROSS SECTION AND LANE/SHOULDER WIDTH, SLOPE AND ELEVATIONS AS APPROPRIATE.

RED BOXES INDICATE DATA TO BE UPDATED FOR EACH STRUCTURE.

LEGEND

☆ ELEVATIONS GIVEN ALONG C/L STRUCTURE

XXX SIGN NUMBER, SEE PERMANENT SIGNING PLAN

■ STANDOFF DIMENSION IS ASSUMED TO BE 2½", BUT IS A MAX. OF 2 x ANCHOR ROD DIAMETER. SEE FOUNDATION DETAILS SHEET AND SHOP DRAWINGS FOR MORE INFORMATION.

NO.	DATE	REVISION	BY
STATE OF WISCONSIN DEPARTMENT OF TRANSPORTATION			
STRUCTURE		S-XX-XXXX	
DRAWN BY		PLANS CK'D	
LAYOUT		SHEET	
		SCALE =	

DESIGN DATA

DESIGNED ACCORDING TO THE AASHTO "LRFD SPECIFICATIONS FOR STRUCTURAL SUPPORTS FOR HIGHWAY SIGNS, LUMINAIRES AND TRAFFIC SIGNALS", 1ST EDITION AND INTERIM SPECIFICATIONS, AND THE WISDOT BRIDGE MANUAL.

FOUNDATION DESIGNED ACCORDING TO THE AASHTO LRFD BRIDGE DESIGN SPECIFICATIONS, 8TH EDITION

DEAD LOAD: WT. OF SIGN AND SUPPORTING STRUCTURE
 ICE LOAD: 3 PSF TO ONE FACE OF SIGN & SURFACE OF MEMBERS
 WIND PRESSURE: 120 MPH (3-SEC. GUST SPEED) TO SIGN AREA & EXPOSED MEMBERS (1700 YEAR MEAN RECURRENCE INTERVAL)

WIND COMPONENTS	NORMAL	TRANSVERSE
LOAD CASE 1:	1.00	0.00
LOAD CASE 2:	0.00	1.00
LOAD CASE 3:	0.75	0.75

LOAD COMBINATIONS

STRENGTH I:	1.25 DC + 1.6 LL
EXTREME I (MAX DC):	1.1 DC + 1.0 W + 1.0 ICE
EXTREME I (MIN DC):	0.9 DC + 1.0 W
SERVICE I:	1.0 DC + 1.0 W
FATIGUE:	1.0 NW (NATURAL WIND GUST) 1.0 TrG (TRUCK INDUCED GUST)

MATERIAL PROPERTIES

CONCRETE MASONRY $f'_c = 3,500$ PSI

HIGH STRENGTH STEEL REINFORCEMENT, GRADE 60 $f_y = 60,000$ PSI

STRUCTURAL ANGLES, PLATES & BARS - ASTM A709 GRADE 36 $f_y = 36,000$ PSI

CHORDS & COLUMN PIPE - ASTM A500 GRADE C $f_y = 46,000$ PSI

HIGH STRENGTH BOLTS - ASTM A3125 GRADE A325 $f_y = 92,000$ PSI

ANCHOR RODS - ASTM F1554 GRADE 55 $f_y = 55,000$ PSI

HEAVY HEX NUTS - ASTM A563 GRADE DH OR ASTM A194 GRADE 2H

WASHERS - ASTM F436

DTI WASHERS - ASTM F959 TYPE 325

FOUNDATION DATA

SIGN STRUCTURE FOUNDATIONS ARE SUPPORTED ON DRILLED SHAFTS THAT HAVE BEEN DESIGN FOR SITES WHERE SOILS EXHIBIT A PHI-ANGLE GREATER THAN OR EQUAL TO 24° (GRANULAR SOILS), OR A COHESION VALUE GREATER THAN OR EQUAL TO 750 PSF (COHESIVE SOILS) AND A UNIT WEIGHT OF 125 PCF. THE GROUND WATER TABLE FOR DESIGN IS ASSUMED TO BE AT A DEPTH OF 10'-0" BELOW THE GROUND SURFACE, ACTUAL WATER LEVEL AT SITE MAY VARY. THE REGION GEOTECHNICAL ENGINEER SHALL VISUALLY INSPECT THE SUBSURFACE SOILS DURING THE DRILLING OF THE SHAFT HOLE TO CONFRIM THESE PROPERTIES PRIOR TO PLACEMENT OF THE DRILLED SHAFT CONCRETE.

TOTAL ESTIMATED QUANTITIES

BID ITEM NO.	BID ITEM	UNIT	S-XX-XXXX	S-XX-XXXX
204.024X	REMOVING ANCILLARY STRUCTURE XXXXXXXX (STRUCTURE)	EA		
531.20XX	DRILLING SHAFT XX-INCH	LF		
531.1100	CONCRETE MASONRY ANCILLARY STRUCTURES TYPE XX	CY		
531.1140	STEEL REINFORCEMENT HS ANCILLARY STRUCTURES TYPE XX	LB		
531.1160	STEEL REINFORCEMENT HS COATED ANCILLARY STRUCTURES TYPE XX	LB		
531.50XX	FOUNDATION TWO-SHAFT TYPE B-X	EA		
532.50XX	BUTTERFLY 2-CHORD XX	EA		

STANDARD BID ITEMS FOR BUTTERFLY FOUNDATIONS AND SUPERSTRUCTURES WILL BE IN A FUTURE STANDARD SPEC UPDATE, UNTIL THEN USE NON-STANDARD BID ITEMS.

GENERAL NOTES

DRAWINGS SHALL NOT BE SCALED.

ALTERNATE DESIGNS ARE NOT ALLOWED.

COORDINATES ON THIS PLAN ARE REFERENCED TO THE WISCONSIN COUNTY COORDINATE SYSTEM (WCCS), XXXX COUNTY ZONE, NAD 83 (1997). ALL STATIONS AND ELEVATIONS ARE IN FEET. ELEVATIONS ARE REFERENCED TO THE NORTH AMERICAN VERTICAL DATUM NAVD 88 (2007).

ALL REINFORCING BARS ARE IN ENGLISH UNITS. THE FIRST DIGIT OF A THREE-DIGIT BAR MARK OR THE FIRST TWO DIGITS OF A FOUR-DIGIT BAR MARK SIGNIFIES THE BAR SIZE.

SIGN BRIDGE ID PLAQUES SHALL BE CONSIDERED INCIDENTAL TO THE BID ITEM "BUTTERFLY X-CHORD" FOR EACH APPLICABLE SIGN STRUCTURE IN THE PLAN SET. LOCATE THE ID PLAQUE ON THE FREEWAY SIDE OF THE SUPPORT COLUMN SO THAT IT CAN BE SEEN FROM THE ROADWAY. FABRICATE AND INSTALL THE ID PLAQUE IN ACCORDANCE WITH S.D.D. 12 A 4-3.

UNLESS DETAILED OTHERWISE IN THE PLANS, ALL H.S. BOLTED CONNECTIONS SHALL BE MADE WITH $\frac{3}{4}$ " DIA. A325 GALVANIZED BOLTS. FIELD CONNECTIONS SHALL BE INSTALLED WITH DTI WASHERS.

WELDED CONNECTIONS CAN BE USED IN LIEU OF BOLTED CONNECTIONS, IF A TRUSS UNIT CAN BE GALVANIZED IN ONE PIECE.

WELD TEST AS PER AWS D1.1.

SEE SIGN PLATE NO. A4-6, A4-7A OF THE SIGN PLATE MANUAL FOR INSTRUCTIONS ON CENTERING SIGNS VERTICALLY ON THE TRUSS.

SIGNS SHALL BE INSTALLED ON TRUSS AT TIME OF ERECTION. SIGNS SHALL BE CENTERED ON THE BRIDGE AND SHALL BE AS DESIGNATED ON THE PLANS.

THE INFORMATION SHOWN ON THESE DRAWINGS CONCERNING TYPE AND LOCATION OF UTILITIES IS NOT GUARANTEED TO BE ACCURATE OR ALL-INCLUSIVE. THE CONTRACTOR IS RESPONSIBLE FOR MAKING HIS OWN DETERMINATION OF THE TYPE AND LOCATION OF UTILITIES AS MAY BE NECESSARY TO AVOID DAMAGE.

CONTRACTOR SHALL SUBMIT SHOP DRAWINGS PER THE REQUIREMENTS IN THE STANDARD SPECIFICATIONS PRIOR TO FABRICATION OF THE STRUCTURE. CONTRACTOR SHALL SHOW SIGNS ON THE SHOP DRAWINGS.

THE CONTRACTOR SHALL BE RESPONSIBLE FOR DRILLING OR EXCAVATING AND MAINTAINING A STABLE AND OPEN HOLE FOR SUBSEQUENT INSTALLATION OF CONCRETE MASONRY FOR THE DRILLED SHAFTS. PARTIAL OR FULL DEPTH TEMPORARY CASING MAY BE REQUIRED TO MAINTAIN THE STABILITY OF THE EXCAVATED HOLE FOR THE SIGN SUPPORT PRIOR TO FILLING THE HOLE WITH CONCRETE. PERMANENT CASING MADE FROM STEEL OR CORRUGATED METAL PIPE MAY BE USED IN LIEU OF TEMPORARY CASING. TEMPORARY/PERMANENT CASING, IF USED, SHALL BE INCIDENTAL TO THE BID ITEM "DRILLING SHAFT (DIA.)".

STRUCTURE DATA

STRUCTURE ID	SIGN AREA	SIGN DEPTH	FOUNDATION TYPE	TRUSS TYPE
S-XX-XXX	XXX SF	X'-X"	TYPE XX	TYPE XX

STATE PROJECT NUMBER

XXXX-XX-XX

TRAFFIC VOLUME

A.D.T. (20XX) = X,XXX
 R.D.S. = XX MPH

LIST OF DRAWINGS:

- GENERAL NOTES & DESIGN DATA
- LAYOUT S-XX-XXXX

LIST OF STANDARD DESIGN DRAWINGS

- X. 2-CHORD BUTTERFLY DETAILS
- X. 2-CHORD BUTTERFLY POLE DETAILS
- X. 2-CHORD BUTTERFLY ELECTRICAL DETAILS
- X. BUTTERFLY FOUNDATION DETAILS

DESIGNER NOTES:

A RED BOX INDICATES DATA TO BE EDITED BY THE PERSON EDITING THE SHEET. SOME ARE BLOCKS THAT INCLUDE VISIBILITY STATES AND TEXT ATTRIBUTES.

CONSULTANTS ADD STAMP AND UPDATE TITLEBLOCK, INCLUDING LOGO AND DESIGN CONTACT INFO.

THESE ARE STANDARD DESIGN PLANS DEVELOPED AND MAINTAINED BY THE WISDOT. THE DESIGNER CERTIFIES THAT THE DESIGN AND PLAN DETAILS CHOSEN ARE CONSISTENT WITH THE GUIDANCE PROVIDED IN THE CURRENT WISDOT BRIDGE MANUAL CHAPTER 39.

STRUCTURE DESIGN CONTACTS:

AARON BONK 608-261-0261
 CONSULTANT PHONE

NO.	DATE	REVISION	BY

STATE OF WISCONSIN
 DEPARTMENT OF TRANSPORTATION

ACCEPTED _____ DATE _____
 CHIEF STRUCTURES DESIGN ENGINEER

2-CHORD BUTTERFLY

LOCATION DESCRIPTION

COUNTY TOWN/CITY/VILLAGE

DESIGN SPEC.
 AASHTO LRFD BRIDGE DESIGN SPECIFICATION
 DESIGNED BY DESIGNED CK'D DRAWN BY PLANS CK'D

GENERAL NOTES
 & DESIGN DATA

SHEET 1 OF

I.D.

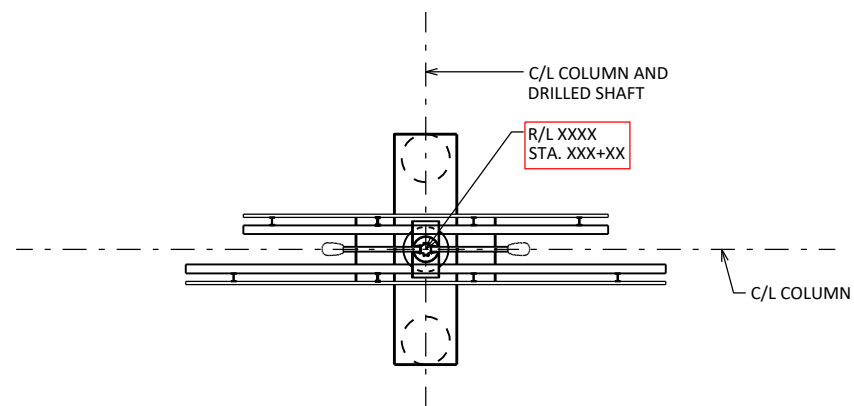
DATE:

8

8

SCALE =

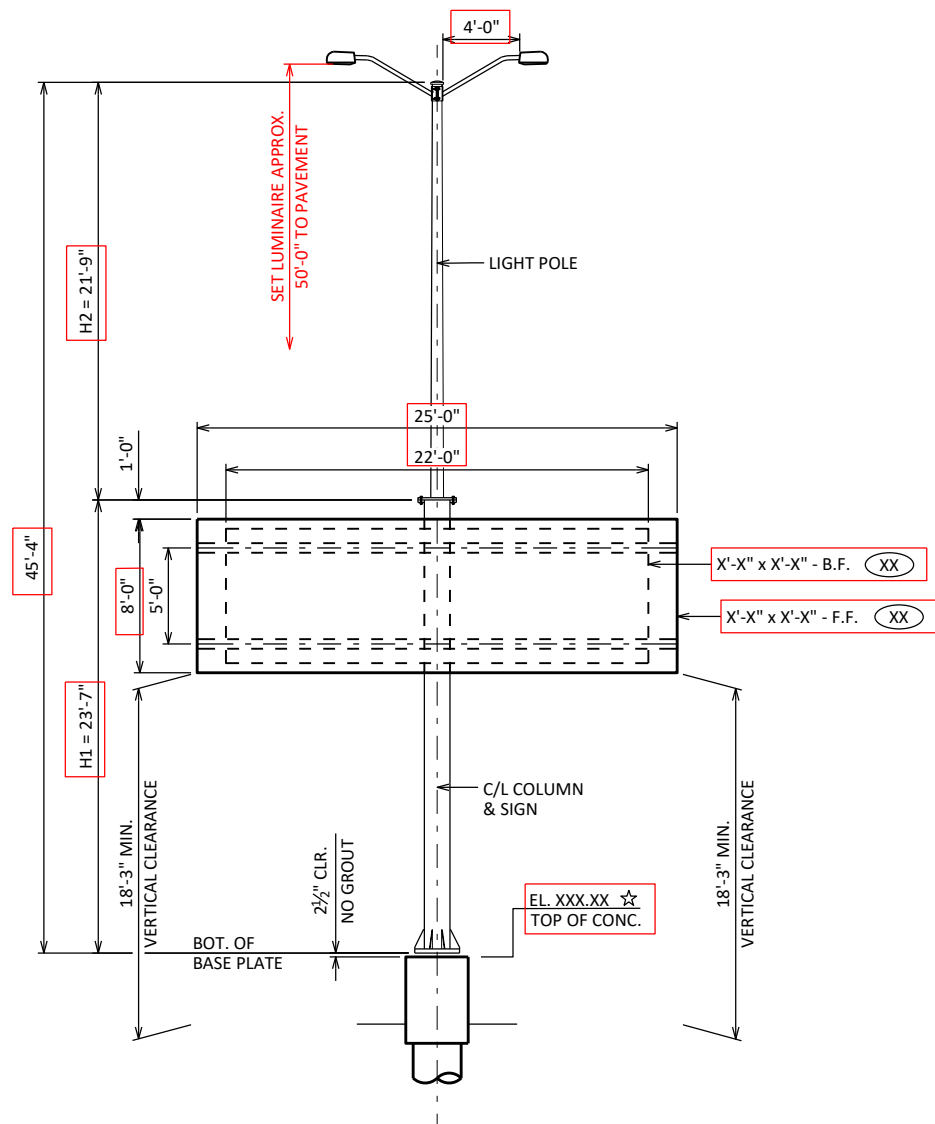
STATION INCREASE ↑



PLAN

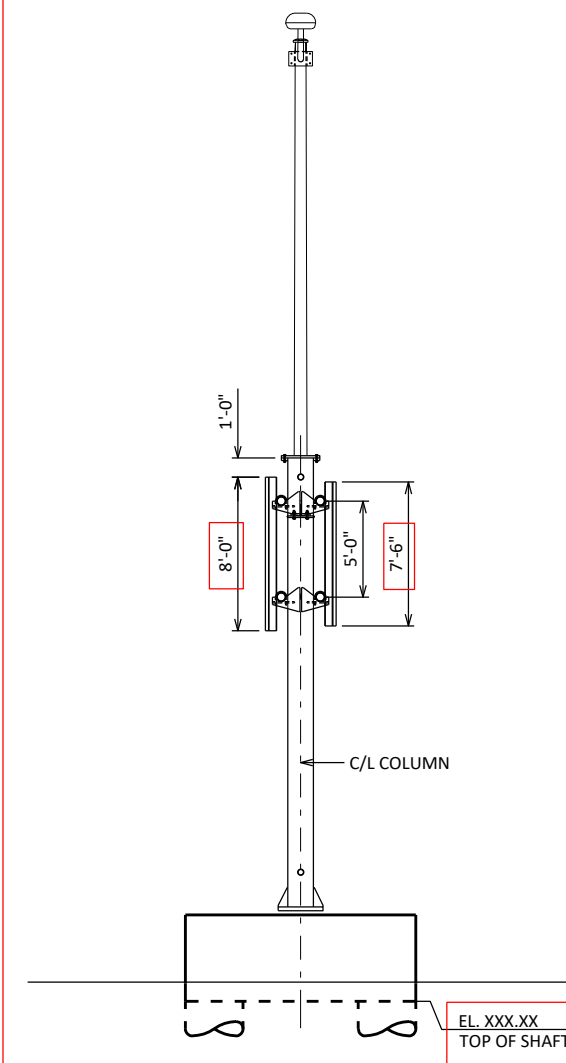
UPDATE CHORD, SIGN AND POLE MEMBERS AS NEEDED TO MATCH DESIRED SPAN

STA. XXX+00 (HIGHWAY AND DIRECTION)
GENERAL LOCATION DESCRIPTION
(EX. ¼" MILE S. OF CAPITOL DR.)



ELEVATION

LOOKING (DIRECTION) AT F.F. OF SIGN



END VIEW

LOOKING (DIRECTION) AT END OF SIGN

LOCATION MAP

DESIGNER NOTES:

PROVIDE PLAN, ELEVATION, AND END VIEWS. UPDATE LOCATION MAP, AND TITLE BLOCK INFO AS APPROPRIATE FOR YOUR PROJECT. INCLUDE RELEVANT DIMENSIONS TO REFERENCE LINES, CROSS SECTION AND LANE, SHOULDER WIDTH, SLOPE ELEVATIONS, ETC. AS APPROPRIATE.

RED BOXES INDICATE DATA TO BE UPDATED FOR EACH STRUCTURE.

LEGEND

CENTER SIGNS ON COLUMN

☆ ELEVATIONS ALONG C/L OF TRUSS.

SIGN NUMBER, SEE PERMANENT SIGNING PLAN.

▲ POINT OF MIN. VERTICAL CLEARANCE
STA. XXX+XX.XX, XX.XX' LF/RT.
ELEV. XXX.XX

NO.	DATE	REVISION	BY
STATE OF WISCONSIN DEPARTMENT OF TRANSPORTATION			
STRUCTURE		S-XX-XXXX	
DRAWN BY		PLANS CK'D	
LAYOUT		SHEET	
		SCALE =	

DESIGN DATA

DESIGNED ACCORDING TO THE AASHTO "LRFD SPECIFICATIONS FOR STRUCTURAL SUPPORTS FOR HIGHWAY SIGNS, LUMINAIRES AND TRAFFIC SIGNALS", 1ST EDITION AND INTERIM SPECIFICATIONS, AND THE WISDOT BRIDGE MANUAL.

FOUNDATION DESIGNED ACCORDING TO THE AASHTO LRFD BRIDGE DESIGN SPECIFICATIONS, 8TH EDITION

DEAD LOAD: WT. OF SIGN AND SUPPORTING STRUCTURE
 ICE LOAD: 3 PSF TO ONE FACE OF SIGN & SURFACE OF MEMBERS
 WIND PRESSURE: 115 MPH (3-SEC. GUST SPEED) TO SIGN AREA & EXPOSED MEMBERS (700 YEAR MEAN RECURRENCE INTERVAL)

WIND COMPONENTS	NORMAL	TRANSVERSE
LOAD CASE 1:	1.00	0.00
LOAD CASE 2:	0.00	1.00
LOAD CASE 3:	0.75	0.75

LOAD COMBINATIONS

STRENGTH I:	1.25 DC + 1.6 LL
EXTREME I (MAX DC):	1.1 DC + 1.0 W + 1.0 ICE
EXTREME I (MIN DC):	0.9 DC + 1.0 W
SERVICE I:	1.0 DC + 1.0 W
FATIGUE:	1.0 NW (NATURAL WIND GUST) 1.0 TrG (TRUCK INDUCED GUST)

MATERIAL PROPERTIES

CONCRETE MASONRY $f_c = 3,500$ PSI

HIGH STRENGTH STEEL REINFORCEMENT, GRADE 60 $f_y = 60,000$ PSI

STRUCTURAL ANGLES, PLATES & BARS - ASTM A709 GRADE 36 $f_y = 36,000$ PSI

CHORD PIPE - ASTM A500 GRADE C $f_y = 46,000$ PSI

COLUMN PIPE
 DESIGN TRUSS TYPE I - ASTM A500 GRADE C $f_y = 46,000$ PSI
 DESIGN TRUSS TYPE II - API-5L PSL-2 GRADE 46 OR ASTM A1085 $f_y = 46,000$ PSI

HIGH STRENGTH BOLTS - ASTM A3125 GRADE A325 $f_y = 92,000$ PSI

ANCHOR RODS - ASTM F1554 GRADE 55 $f_y = 55,000$ PSI

HEAVY HEX NUTS - ASTM A563 GRADE DH OR ASTM A194 GRADE 2H

WASHERS - ASTM F436

DTI WASHERS - ASTM F959 TYPE 325

FOUNDATION DATA

SIGN STRUCTURE FOUNDATIONS ARE SUPPORTED ON DRILLED SHAFTS THAT HAVE BEEN DESIGN FOR SITES WHERE SOILS EXHIBIT A PHI-ANGLE GREATER THAN OR EQUAL TO 24° (GRANULAR SOILS), OR A COHESION VALUE GREATER THAN OR EQUAL TO 750 PSF (COHESIVE SOILS) AND A UNIT WEIGHT OF 125 PCF. THE GROUND WATER TABLE FOR DESIGN IS ASSUMED TO BE AT A DEPTH OF 10'-0" BELOW THE GROUND SURFACE, ACTUAL WATER LEVEL AT SITE MAY VARY. THE REGION GEOTECHNICAL ENGINEER SHALL VISUALLY INSPECT THE SUBSURFACE SOILS DURING THE DRILLING OF THE SHAFT HOLE TO CONFRIM THESE PROPERTIES PRIOR TO PLACEMENT OF THE DRILLED SHAFT CONCRETE.

TOTAL ESTIMATED QUANTITIES

BID ITEM NO.	BID ITEM	UNIT	S-XX-XXXX	S-XX-XXXX
204.024X	REMOVING ANCILLARY STRUCTURE XXXXXXXX (STRUCTURE)	EA		
531.2036	DRILLING SHAFT 36-INCH	LF		
531.6XXX	FOUNDATION TWO-SHAFT TYPE XX-XX	EA		
532.6XXX	TRUSS CANTILEVER 4-CHORD TYPE XX-XX	EA		

GENERAL NOTES

DRAWINGS SHALL NOT BE SCALED.

ALTERNATE DESIGNS ARE NOT ALLOWED.

COORDINATES ON THIS PLAN ARE REFERENCED TO THE WISCONSIN COUNTY COORDINATE SYSTEM (WCCS), XXXX COUNTY ZONE, NAD 83 (1997). ALL STATIONS AND ELEVATIONS ARE IN FEET. ELEVATIONS ARE REFERENCED TO THE NORTH AMERICAN VERTICAL DATUM NAVD 88 (2007).

ALL REINFORCING BARS ARE IN ENGLISH UNITS. THE FIRST DIGIT OF A THREE-DIGIT BAR MARK OR THE FIRST TWO DIGITS OF A FOUR-DIGIT BAR MARK SIGNIFIES THE BAR SIZE.

SIGN BRIDGE ID PLAQUES SHALL BE CONSIDERED INCIDENTAL TO THE BID ITEM "TRUSS CANTILEVER 4-CHORD (TYPE)" FOR EACH APPLICABLE SIGN STRUCTURE IN THE PLAN SET. LOCATE THE ID PLAQUE ON THE FREEWAY SIDE OF THE SUPPORT COLUMN SO THAT IT CAN BE SEEN FROM THE ROADWAY. FABRICATE AND INSTALL THE ID PLAQUE IN ACCORDANCE WITH S.D.D. 12 A 4-3.

CATWALKS ARE USED ON 4-CHORD STRUCTURES CARRYING DMS SIGNS. CATWALKS SHALL BE INCIDENTAL TO THE BID ITEM "TRUSS CANTILEVER 4-CHORD (TYPE)" FOR EACH DMS SIGN STRUCTURE IN THE PLAN SET.

UNLESS DETAILED OTHERWISE IN THE PLANS, ALL H.S. BOLTED CONNECTIONS SHALL BE MADE WITH 3/4" DIA A325 GALVANIZED BOLTS. FIELD CONNECTIONS SHALL BE INSTALLED WITH DTI WASHERS.

WELDED CONNECTIONS CAN BE USED IN LIEU OF BOLTED CONNECTIONS, IF A TRUSS UNIT CAN BE GALVANIZED IN ONE PIECE.

WELD TEST AS PER AWS D1.1.

SEE SIGN PLATE NO. A4-6, A4-7A & A4-7B OF THE SIGN PLATE MANUAL FOR INSTRUCTIONS ON CENTERING SIGNS VERTICALLY ON THE TRUSS.

SIGNS OR BLANKS SHALL BE INSTALLED ON TRUSS AT TIME OF ERECTION. BLANKS SHALL BE 1/4 THE LENGTH OF THE CANTILEVER SPAN, 2'-0" DEEPER THAN THE C/L TO C/L OF CHORDS, AND SHALL BE CENTERED ON THE BRIDGE. SIGNS SHALL BE AS DESIGNATED ON THE PLANS.

THE INFORMATION SHOWN ON THESE DRAWINGS CONCERNING TYPE AND LOCATION OF UTILITIES IS NOT GUARANTEED TO BE ACCURATE OR ALL-INCLUSIVE. THE CONTRACTOR IS RESPONSIBLE FOR MAKING HIS OWN DETERMINATION OF THE TYPE AND LOCATION OF UTILITIES AS MAY BE NECESSARY TO AVOID DAMAGE.

CONTRACTOR SHALL SUBMIT SHOP DRAWINGS PER THE REQUIREMENTS IN THE STANDARD SPECIFICATIONS PRIOR TO FABRICATION OF THE STRUCTURE. CONTRACTOR SHALL SHOW SIGNS ON THE SHOP DRAWINGS.

THE CONTRACTOR SHALL BE RESPONSIBLE FOR DRILLING OR EXCAVATING AND MAINTAINING A STABLE AND OPEN HOLE FOR SUBSEQUENT INSTALLATION OF CONCRETE MASONRY FOR THE DRILLED SHAFTS. PARTIAL OR FULL DEPTH TEMPORARY CASING MAY BE REQUIRED TO MAINTAIN THE STABILITY OF THE EXCAVATED HOLE FOR THE SIGN SUPPORT PRIOR TO FILLING THE HOLE WITH CONCRETE. PERMANENT CASING MADE FROM STEEL OR CORRUGATED METAL PIPE MAY BE USED IN LIEU OF TEMPORARY CASING. TEMPORARY/PERMANENT CASING, IF USED, SHALL BE INCIDENTAL TO THE BID ITEM "DRILLING SHAFT (DIA.)".

STRUCTURE DATA

STRUCTURE ID	SIGN AREA	SIGN DEPTH	FOUNDATION TYPE	TRUSS TYPE
S-XX-XXX	XXX SF	X'-X"	TYPE XX	TYPE XX

STATE PROJECT NUMBER

XXXX-XX-XX

TRAFFIC VOLUME

A.D.T. = (20XX) = X,XXX
 R.D.S. = XX MPH

LIST OF DRAWINGS:

- GENERAL NOTES & DESIGN DATA
- LAYOUT S-XX-XXXX

LIST OF STANDARD DESIGN DRAWINGS

- X. I. 4-CHORD TRUSS CANTILEVER TRUSS DETAILS
- X. II. 4-CHORD TRUSS CANTILEVER CONNECTIONS 1
- X. III. 4-CHORD TRUSS CANTILEVER CONNECTIONS 2
- X. IV. 4-CHORD TRUSS CANTILEVER CONNECTIONS 3
- X. V. 4-CHORD TRUSS CANTILEVER CATWALK DETAILS
- X. VI. 4-CHORD TRUSS CANTILEVER ELECTRICAL DETAILS
- X. VII. 4-CHORD TRUSS CANTILEVER FOUNDATION

DESIGNER NOTES:

A RED BOX INDICATES DATA TO BE EDITED BY THE PERSON EDITING THE SHEET. SOME ARE BLOCKS THAT INCLUDE VISIBILITY STATES AND TEXT ATTRIBUTES.

CONSULTANTS .ADD STAMP AND UPDATE TITLE BLOCK INCLUDING LOGO AND DESIGNER CONTACT INFORMATION

STRUCTURE DESIGN CONTACTS:

AARON BONK 608-261-0261
 CONSULTANT PHONE

NO.	DATE	REVISION	BY

THESE ARE STANDARD DESIGN PLANS DEVELOPED AND MAINTAINED BY THE WISDOT. THE DESIGNER CERTIFIES THAT THE DESIGN AND PLAN DETAILS CHOSEN ARE CONSISTENT WITH THE GUIDANCE PROVIDED IN THE CURRENT WISDOT BRIDGE MANUAL CHAPTER 39.

STATE OF WISCONSIN
 DEPARTMENT OF TRANSPORTATION

ACCEPTED _____ DATE _____
 CHIEF STRUCTURES DESIGN ENGINEER

4-CHORD CANTILEVER

LOCATION DESCRIPTION

COUNTY TOWN/CITY/VILLAGE

DESIGN SPEC.
 AASHTO LRFD BRIDGE DESIGN SPECIFICATION
 DESIGNED BY DESIGNED CK'D DRAWN BY PLANS CK'D

GENERAL NOTES
 & DESIGN DATA

SHEET 1 OF

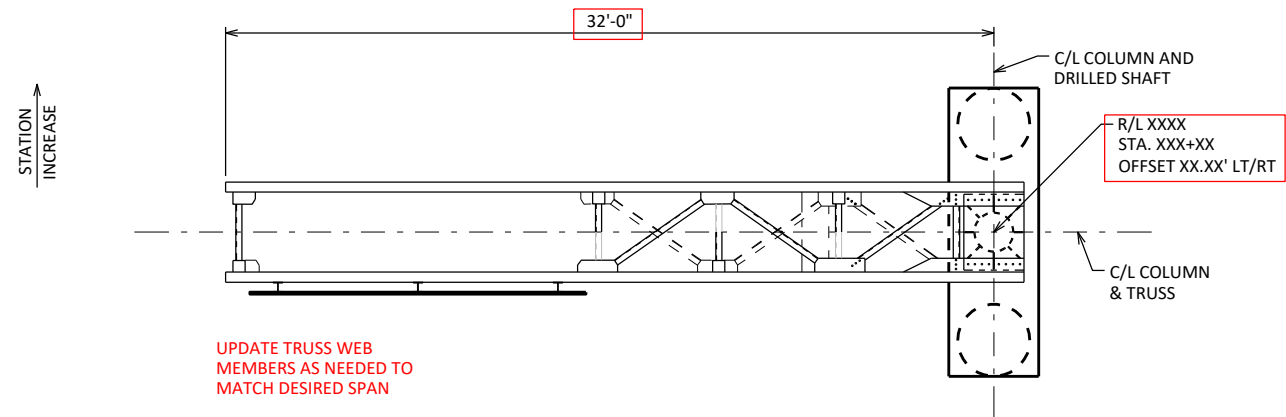
I.D.

DATE:

SCALE =

8

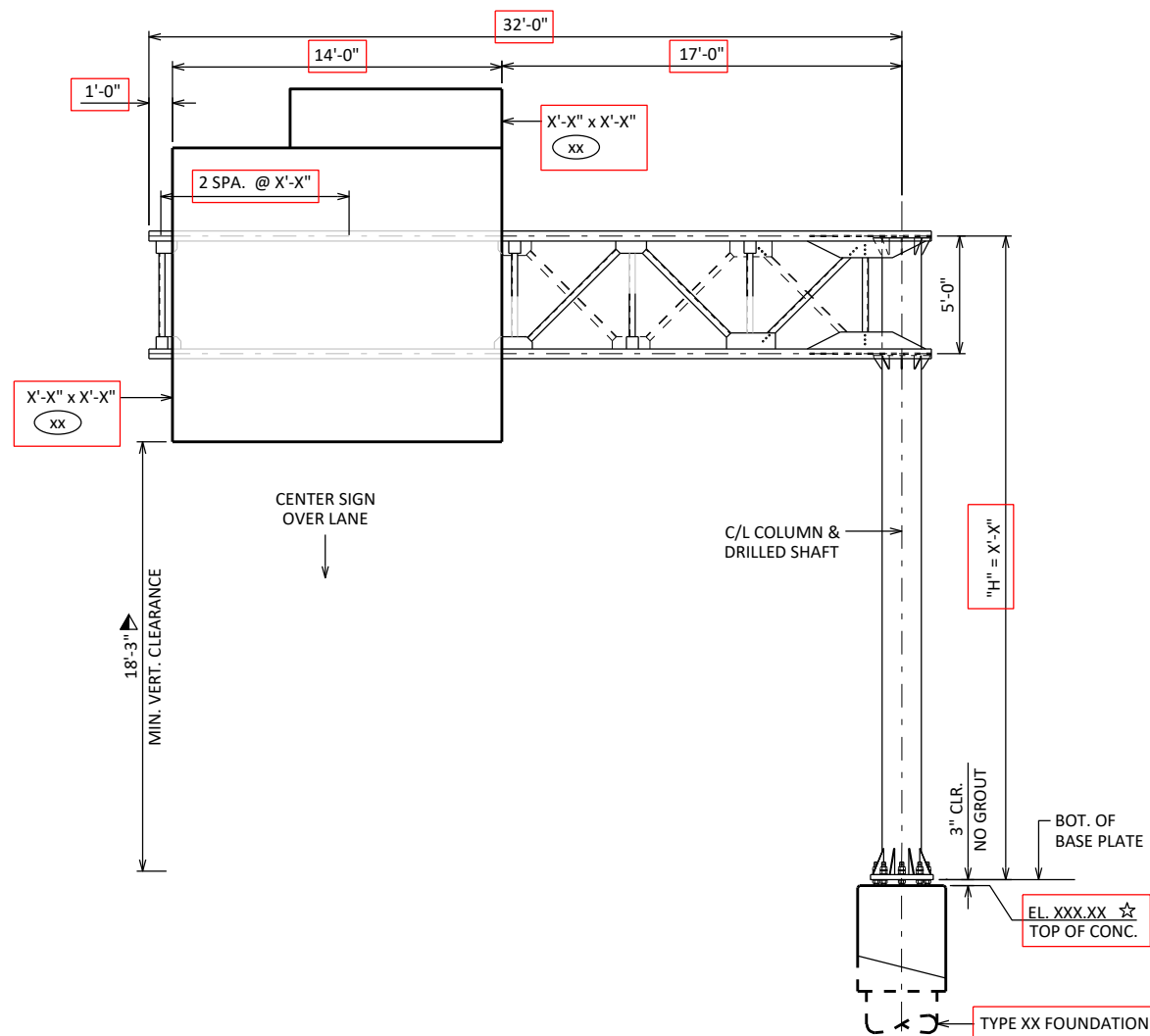
8



PLAN

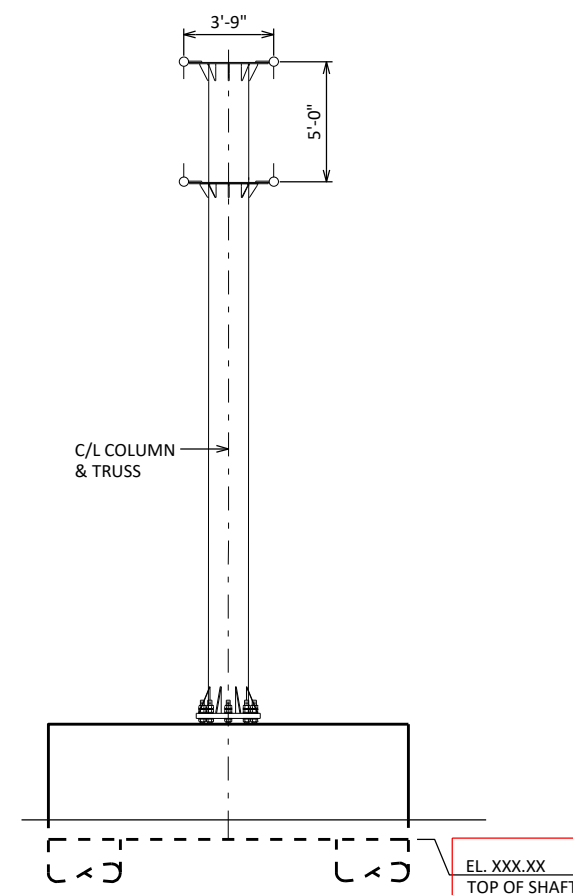
STA. XXX+00 (HIGHWAY AND DIRECTION)
GENERAL LOCATION DESCRIPTION
(EX. ¼ MILE S. OF CAPITOL DR.)

LOCATION MAP



ELEVATION

LOOKING (DIRECTION) AT F.F. OF SIGN



END VIEW

LOOKING (DIRECTION) AT END OF SIGN

DESIGNER NOTES:

PROVIDE PLAN, ELEVATION, AND END VIEWS. UPDATE LOCATION MAP, AND TITLE BLOCK INFO AS APPROPRIATE FOR YOUR PROJECT. INCLUDE RELEVANT DIMENSIONS TO REFERENCE LINES, CROSS SECTION AND LANE, SHOULDER WIDTH, SLOPE ELEVATIONS, ETC. AS APPROPRIATE.

RED BOXES INDICATE DATA TO BE UPDATED FOR EACH STRUCTURE.

LEGEND

☆ ELEVATIONS ALONG C/L OF TRUSS.

SIGN NUMBER, SEE PERMANENT SIGNING PLAN.

▲ POINT OF MIN. VERTICAL CLEARANCE
STA. XXX+XX.XX, XX.XX' LF/RT.
ELEV. XXX.XX

NO.	DATE	REVISION	BY
STATE OF WISCONSIN DEPARTMENT OF TRANSPORTATION			
STRUCTURE		S-XX-XXXX	
DRAWN BY		PLANS CK'D	
LAYOUT		SHEET	

SCALE =

DESIGN DATA

DESIGNED ACCORDING TO THE AASHTO "LRFD SPECIFICATIONS FOR STRUCTURAL SUPPORTS FOR HIGHWAY SIGNS, LUMINAIRES AND TRAFFIC SIGNALS", 1ST EDITION AND INTERIM SPECIFICATIONS, AND THE WISDOT BRIDGE MANUAL.

FOUNDATION DESIGNED ACCORDING TO THE AASHTO LRFD BRIDGE DESIGN SPECIFICATIONS, 8TH EDITION

DEAD LOAD: WT. OF SIGN AND SUPPORTING STRUCTURE
 ICE LOAD: 3 PSF TO ONE FACE OF SIGN & SURFACE OF MEMBERS
 WIND PRESSURE: 120 MPH (3-SEC. GUST SPEED) TO SIGN AREA & EXPOSED MEMBERS (1700 YEAR MEAN RECURRENCE INTERVAL)

WIND COMPONENTS	NORMAL	TRANSVERSE
LOAD CASE 1:	1.00	0.00
LOAD CASE 2:	0.00	1.00
LOAD CASE 3:	0.75	0.75

LOAD COMBINATIONS

STRENGTH:	1.25 DC + 1.6 LL
EXTREME I (MAX DC):	1.1 DC + 1.0 W + 1.0 ICE
EXTREME I (MIN DC):	0.9 DC + 1.0 W
SERVICE I:	1.0 DC + 1.0 W
FATIGUE:	1.0 NW (NATURAL WIND GUST) 1.0 TrG (TRUCK INDUCED GUST)

MATERIAL PROPERTIES

CONCRETE MASONRY _____ $f'_c = 3,500$ PSI

HIGH STRENGTH STEEL REINFORCEMENT, GRADE 60 _____ $f_y = 60,000$ PSI

STRUCTURAL ANGLES, PLATES & BARS - ASTM A709 GRADE 36 _____ $f_y = 36,000$ PSI

CHORDS & COLUMN PIPE - ASTM A500 GRADE C _____ $f_y = 46,000$ PSI

HIGH STRENGTH BOLTS - ASTM A3125 GRADE A325 _____ $f_y = 92,000$ PSI

ANCHOR RODS - ASTM F1554 GRADE 55 _____ $f_y = 55,000$ PSI

HEAVY HEX NUTS - ASTM A563 GRADE DH OR ASTM A194 GRADE 2H

WASHERS - ASTM F436

DTI WASHERS - ASTM F959 TYPE 325

FOUNDATION DATA

SIGN STRUCTURE FOUNDATIONS ARE SUPPORTED ON DRILLED SHAFTS THAT HAVE BEEN DESIGN FOR SITES WHERE SOILS EXHIBIT A PHI-ANGLE GREATER THAN OR EQUAL TO 24° (GRANULAR SOILS), OR A COHESION VALUE GREATER THAN OR EQUAL TO 750 PSF (COHESIVE SOILS) AND A UNIT WEIGHT OF 125 PCF. THE GROUND WATER TABLE FOR DESIGN IS ASSUMED TO BE AT A DEPTH OF 10'-0" BELOW THE GROUND SURFACE, ACTUAL WATER LEVEL AT SITE MAY VARY. THE REGION GEOTECHNICAL ENGINEER SHALL VISUALLY INSPECT THE SUBSURFACE SOILS DURING THE DRILLING OF THE SHAFT HOLE TO CONFRIM THESE PROPERTIES PRIOR TO PLACEMENT OF THE DRILLED SHAFT CONCRETE.

TOTAL ESTIMATED QUANTITIES

BID ITEM NO.	BID ITEM	UNIT	S-XX-XXXX	S-XX-XXXX
204.024X	REMOVING ANCILLARY STRUCTURE XXXXXXXX (STRUCTURE)	EA		
531.20XX	DRILLING SHAFT XX-INCH	LF		
531.6XXX	FOUNDATION TWO-SHAFT TYPE XX-XX	EA		
532.6XXX	TRUSS FULL SPAN 4-CHORD TYPE XX-XX	EA		

GENERAL NOTES

DRAWINGS SHALL NOT BE SCALED.

ALTERNATE DESIGNS ARE NOT ALLOWED.

COORDINATES ON THIS PLAN ARE REFERENCED TO THE WISCONSIN COUNTY COORDINATE SYSTEM (WCCS), XXXX COUNTY ZONE, NAD 83 (1997). ALL STATIONS AND ELEVATIONS ARE IN FEET. ELEVATIONS ARE REFERENCED TO THE NORTH AMERICAN VERTICAL DATUM NAVD 88 (2007).

ALL REINFORCING BARS ARE IN ENGLISH UNITS. THE FIRST DIGIT OF A THREE-DIGIT BAR MARK OR THE FIRST TWO DIGITS OF A FOUR-DIGIT BAR MARK SIGNIFIES THE BAR SIZE.

SIGN BRIDGE ID PLAQUES SHALL BE CONSIDERED INCIDENTAL TO THE BID ITEM "TRUSS FULL SPAN 4-CHORD (TYPE)" FOR EACH APPLICABLE SIGN STRUCTURE IN THE PLAN SET. LOCATE THE ID PLAQUE ON THE FREEWAY SIDE OF THE SUPPORT COLUMN SO THAT IT CAN BE SEEN FROM THE ROADWAY. FABRICATE AND INSTALL THE ID PLAQUE IN ACCORDANCE WITH S.D.D. 12 A 4-3.

CATWALKS ARE USED ON 4-CHORD STRUCTURES CARRYING DMS SIGNS. CATWALKS SHALL BE INCIDENTAL TO THE BID ITEM "TRUSS FULL SPAN 4-CHORD (TYPE)" FOR EACH DMS SIGN STRUCTURE IN THE PLAN SET.

UNLESS DETAILED OTHERWISE IN THE PLANS, ALL H.S. BOLTED CONNECTIONS SHALL BE MADE WITH $\frac{3}{4}$ " DIA A325 GALVANIZED BOLTS. FIELD CONNECTIONS SHALL BE INSTALLED WITH DTI WASHERS.

WELDED CONNECTIONS CAN BE USED IN LIEU OF BOLTED CONNECTIONS, IF A TRUSS UNIT CAN BE GALVANIZED IN ONE PIECE.

WELD TEST AS PER AWS D1.1.

SEE SIGN PLATE NO. A4-6, A4-7A & A4-7B OF THE SIGN PLATE MANUAL FOR INSTRUCTIONS ON CENTERING SIGNS VERTICALLY ON THE TRUSS.

SIGNS OR BLANKS SHALL BE INSTALLED ON TRUSS AT TIME OF ERECTION. BLANKS SHALL BE AS DESIGNATED IN STANDARD SPEC 532.3.7.1, AND SHALL BE CENTERED ON THE BRIDGE. SIGNS SHALL BE AS DESIGNATED ON THE PLANS.

THE INFORMATION SHOWN ON THESE DRAWINGS CONCERNING TYPE AND LOCATION OF UTILITIES IS NOT GUARANTEED TO BE ACCURATE OR ALL-INCLUSIVE. THE CONTRACTOR IS RESPONSIBLE FOR MAKING HIS OWN DETERMINATION OF THE TYPE AND LOCATION OF UTILITIES AS MAY BE NECESSARY TO AVOID DAMAGE.

CONTRACTOR SHALL SUBMIT SHOP DRAWINGS PER THE REQUIREMENTS IN THE STANDARD SPECIFICATIONS PRIOR TO FABRICATION OF THE STRUCTURE. CONTRACTOR SHALL SHOW SIGNS ON THE SHOP DRAWINGS.

THE CONTRACTOR SHALL BE RESPONSIBLE FOR DRILLING OR EXCAVATING AND MAINTAINING A STABLE AND OPEN HOLE FOR SUBSEQUENT INSTALLATION OF CONCRETE MASONRY FOR THE DRILLED SHAFTS. PARTIAL OR FULL DEPTH TEMPORARY CASING MAY BE REQUIRED TO MAINTAIN THE STABILITY OF THE EXCAVATED HOLE FOR THE SIGN SUPPORT PRIOR TO FILLING THE HOLE WITH CONCRETE. PERMANENT CASING MADE FROM STEEL OR CORRUGATED METAL PIPE MAY BE USED IN LIEU OF TEMPORARY CASING. TEMPORARY/PERMANENT CASING, IF USED, SHALL BE INCIDENTAL TO THE BID ITEM "DRILLING SHAFT (DIA.)".

STRUCTURE DATA

STRUCTURE ID	SIGN AREA	SIGN DEPTH	FOUNDATION TYPE	TRUSS TYPE
S-XX-XXX	XXX SF	X'-X"	TYPE XX	TYPE XX

STATE PROJECT NUMBER

XXXX-XX-XX

TRAFFIC VOLUME

A.D.T. (20XX) = X,XXX
 R.D.S. = XX MPH

LIST OF DRAWINGS:

- GENERAL NOTES & DESIGN DATA
- LAYOUT S-XX-XXXX

LIST OF STANDARD DESIGN DRAWINGS

- X. I. 4-CHORD TRUSS FULL SPAN TRUSS DETAILS
- X. II. 4-CHORD TRUSS FULL SPAN COLUMN DETAILS
- X. III. 4-CHORD TRUSS FULL SPAN CONNECTIONS 1
- X. IV. 4-CHORD TRUSS FULL SPAN CONNECTIONS 2
- X. V. 4-CHORD TRUSS FULL SPAN CATWALK DETAILS
- X. VI. 4-CHORD TRUSS FULL SPAN ELECTRICAL DETAILS
- X. VII. 4-CHORD TRUSS FULL SPAN FOUNDATIONS 1
- X. VIII. 4-CHORD TRUSS FULL SPAN FOUNDATIONS 2

DESIGNER NOTES:

A RED BOX INDICATES DATA TO BE EDITED BY THE PERSON EDITING THE SHEET. SOME ARE BLOCKS THAT INCLUDE VISIBILITY STATES AND TEXT ATTRIBUTES.

CONSULTANTS ADD STAMP AND UPDATE TITLEBLOCK, INCLUDING LOGO AND DESIGN CONTACT INFO.

THESE ARE STANDARD DESIGN PLANS DEVELOPED AND MAINTAINED BY THE WISDOT. THE DESIGNER CERTIFIES THAT THE DESIGN AND PLAN DETAILS CHOSEN ARE CONSISTENT WITH THE GUIDANCE PROVIDED IN THE CURRENT WISDOT BRIDGE MANUAL CHAPTER 39.

STRUCTURE DESIGN CONTACTS:
 AARON BONK 608-261-0261
 CONSULTANT PHONE

NO.	DATE	REVISION	BY

STATE OF WISCONSIN
 DEPARTMENT OF TRANSPORTATION

ACCEPTED _____ DATE _____
 CHIEF STRUCTURES DESIGN ENGINEER

4-CHORD FULL SPAN

LOCATION DESCRIPTION

COUNTY _____ TOWN/CITY/VILLAGE _____

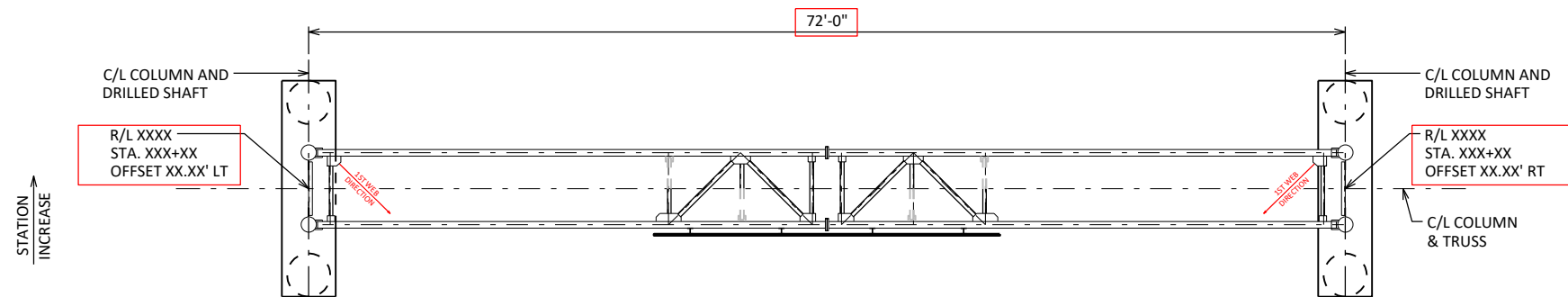
DESIGN SPEC.
 AASHTO LRFD BRIDGE DESIGN SPECIFICATION
 DESIGNED BY _____ DESIGNED CK'D _____ DRAWN BY _____ PLANS CK'D _____

GENERAL NOTES & DESIGN DATA

SHEET 1 OF

I.D.

DATE:

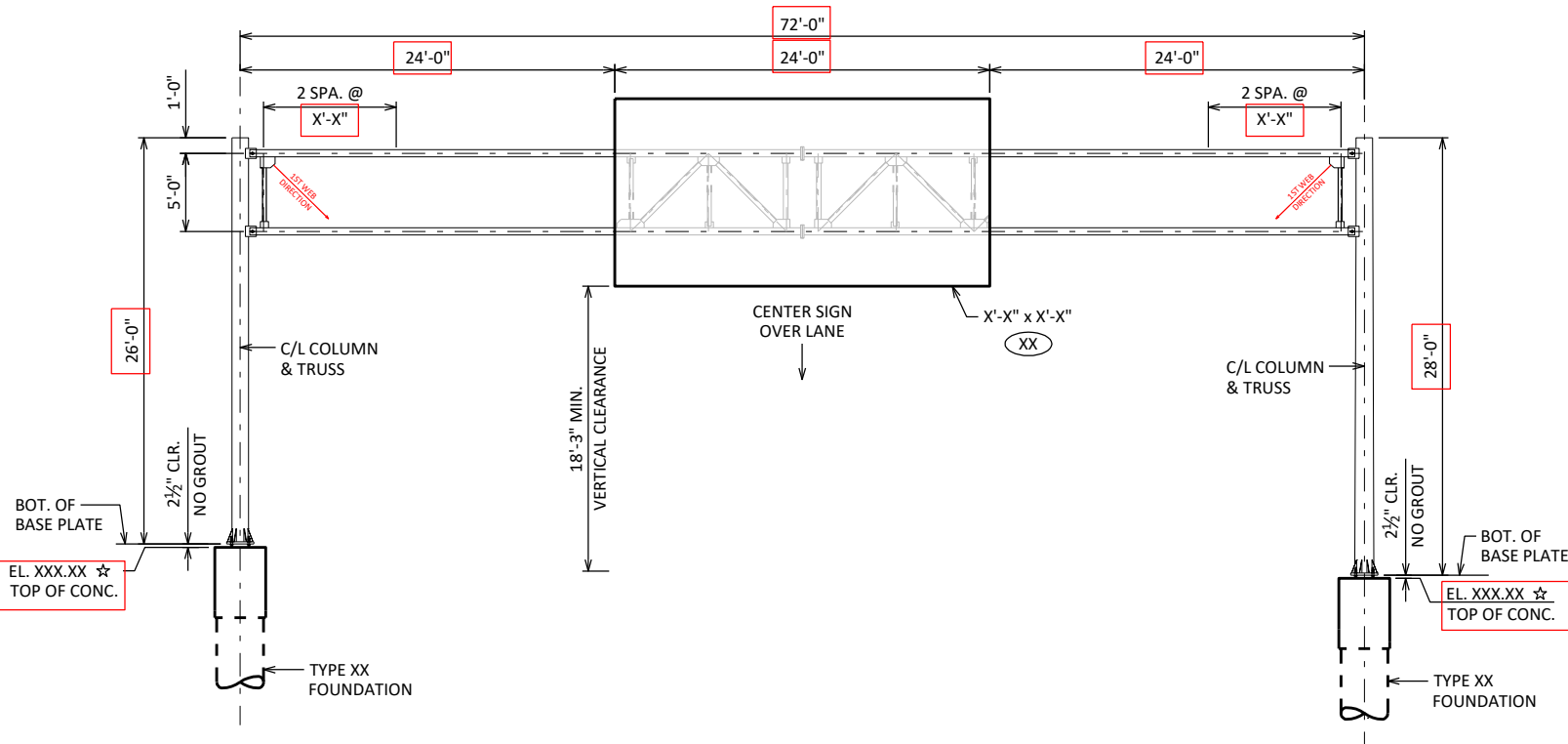


PLAN

UPDATE TRUSS WEB MEMBERS AS NEEDED TO MATCH DESIRED SPAN

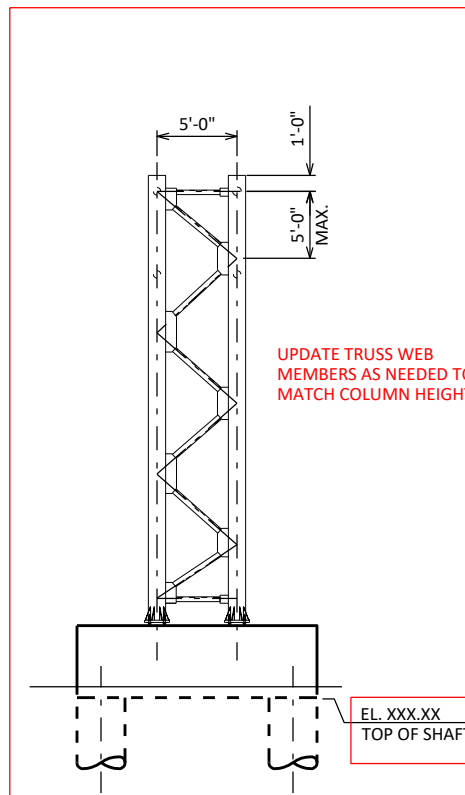
STA. XXX+00 (HIGHWAY AND DIRECTION)
GENERAL LOCATION DESCRIPTION
(EX. ¼ MILE S. OF CAPITOL DR.)

LOCATION MAP



ELEVATION

LOOKING (DIRECTION) AT F.F. OF SIGN



END VIEW

LOOKING (DIRECTION) AT END OF SIGN

DESIGNER NOTES:

PROVIDE PLAN, ELEVATION, AND END VIEWS. UPDATE LOCATION MAP, AND TITLE BLOCK INFO AS APPROPRIATE FOR YOUR PROJECT. INCLUDE RELEVANT DIMENSIONS TO REFERENCE LINES, CROSS SECTION AND LANE, SHOULDER WIDTH, SLOPE ELEVATIONS, ETC. AS APPROPRIATE.

RED BOXES INDICATE DATA TO BE UPDATED FOR EACH STRUCTURE.

LEGEND

☆ ELEVATIONS ALONG C/L OF TRUSS.

SIGN NUMBER, SEE PERMANENT SIGNING PLAN.

▲ POINT OF MIN. VERTICAL CLEARANCE
STA. XXX+XX.XX, XX.XX' LF/RT.
ELEV. XXX.XX

NO.	DATE	REVISION	BY
STATE OF WISCONSIN DEPARTMENT OF TRANSPORTATION STRUCTURES DESIGN SECTION			
STRUCTURE S-XX-XXXX			
DRAWN BY		PLANS CK'D	
LAYOUT		SHEET	
		SCALE =	