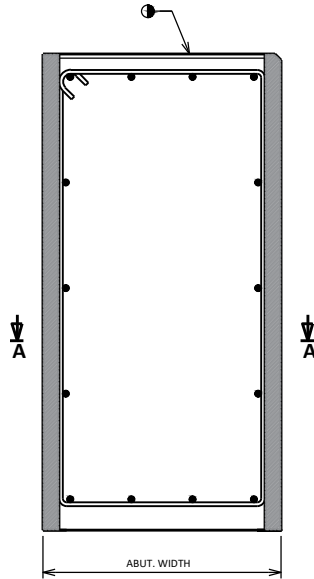
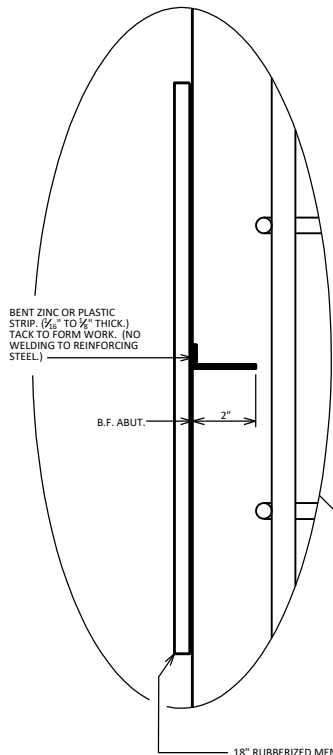


A3 ABUTMENT



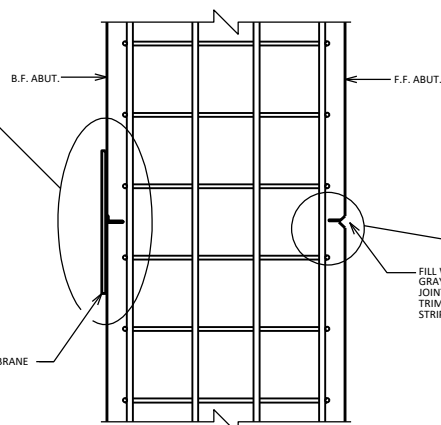
SECTION THRU ABUTMENT BODY
A1 ABUTMENT SHOWN, AS SIMILAR



BENT ZINC OR PLASTIC STRIP, ($\frac{1}{8}$ " TO $\frac{1}{4}$ " THICK.) TACK TO FORM WORK. (NO WELDING TO REINFORCING STEEL.)

B.F. ABUT. 2"

18" RUBBERIZED MEMBRANE WATERPROOFING B.F.



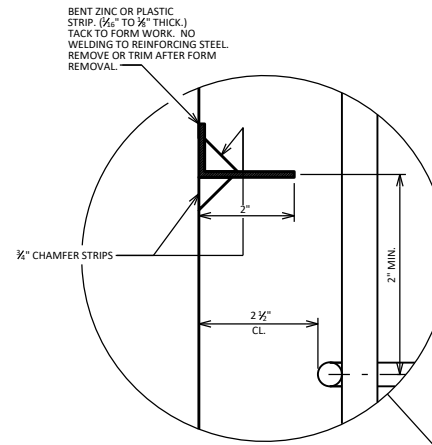
B.F. ABUT.

F.F. ABUT.

FILL WITH NON-STAINING GRAY NON-BITUMINOUS JOINT SEALER AFTER TRIMMING OR REMOVING STRIP.

SECTION A-A

ALTERNATE CONSTRUCTION JOINT AT ABUTMENT

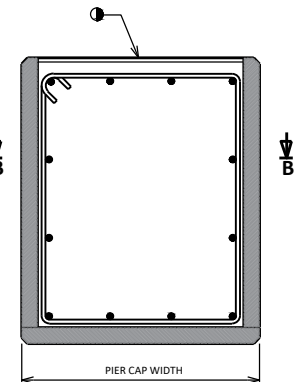


$\frac{1}{2}$ " CHAMFER STRIPS

2 1/2" CL

2" MIN.

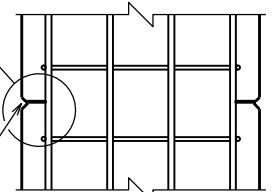
BENT ZINC OR PLASTIC STRIP, ($\frac{1}{8}$ " TO $\frac{1}{4}$ " THICK.) TACK TO FORM WORK. NO WELDING TO REINFORCING STEEL. REMOVE OR TRIM AFTER FORM REMOVAL.



∇ B

∇ B

SECTION THRU PIER CAP



FILL WITH NON-STAINING GRAY NON-BITUMINOUS JOINT SEALER AFTER TRIMMING OR REMOVING STRIP.

SECTION B-B

ALTERNATE CONSTRUCTION JOINT AT PIER CAP

NOTES

PARTIAL ZINC OR PLASTIC BULKHEAD MAY BE USED AS ALTERNATE CONSTRUCTION JOINT, WITH THE PERMISSION OF THE ENGINEER, AT THE CONTRACTOR'S EXPENSE.

VERTICAL CONSTRUCTION JOINT KEYWAY IS NOT REQUIRED WHEN USING ALTERNATE CONSTRUCTION JOINT.

CARE IS TO BE USED IN CASTING CONCRETE AROUND BULKHEAD TO PREVENT DISLOCATION OR MISALIGNMENT OF THE BULKHEAD.

SAW CUTTING JOINT IS NOT ALLOWED.

● USE A JOINT TOOL TO CONSTRUCT A CONTRACTION JOINT APPROXIMATELY $\frac{1}{2}$ " DEEP.

* BENT ZINC OR PLASTIC STRIP.

ALTERNATE CONSTRUCTION JOINT



APPROVED: *Laura Shadewald*

DATE:
1-18