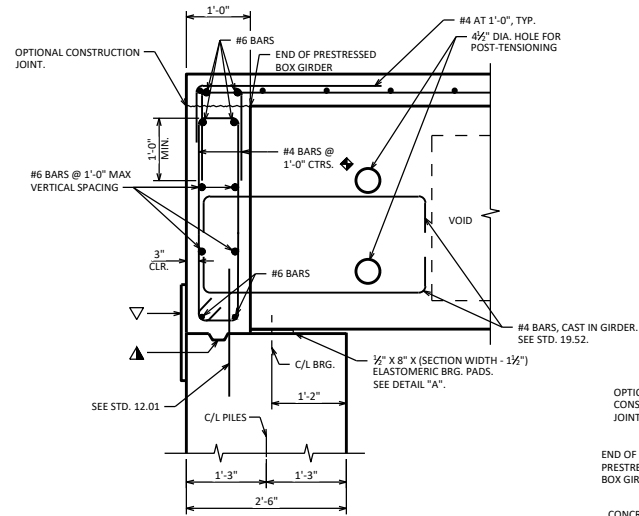
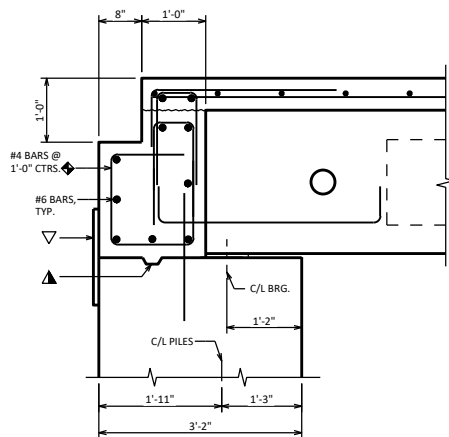
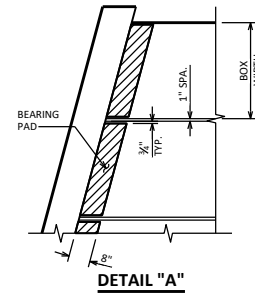
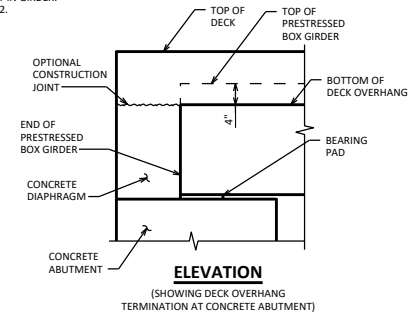


NO PAVING NOTCH - SECTIONS 1 THROUGH 4



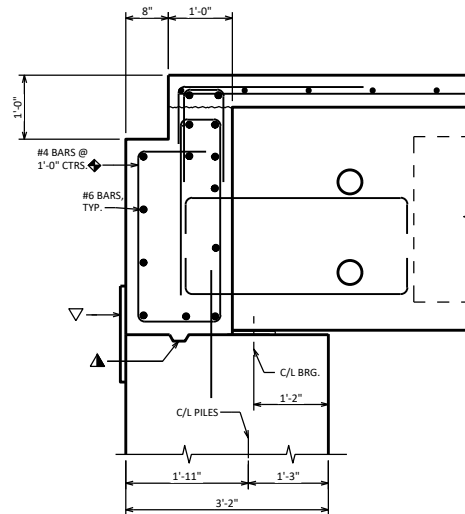
NO PAVING NOTCH - SECTIONS 5 AND 6

- LEGEND**
- ▽ 1'-6" RUBBERIZED MEMBRANE WATERPROOFING
 - ▲ KEYED CONSTRUCTION JOINT FORMED BY BEVELED 2" X 6"
 - ◆ BARS PLACED PARALLEL TO GIRDERS. SPACING PERPENDICULAR TO C/L GIRDERS.



WITH PAVING NOTCH - SECTIONS 1 THROUGH 4

SEE NO PAVING NOTCH - SECTIONS 1 THROUGH 4 DETAIL FOR ADDITIONAL INFORMATION



WITH PAVING NOTCH - SECTIONS 5 AND 6

SEE NO PAVING NOTCH - SECTIONS 5 AND 6 DETAIL FOR ADDITIONAL INFORMATION

PRESTRESSED BOX GIRDER DETAILS 4



APPROVED: *Laura Shadewald*

DATE:
1-16