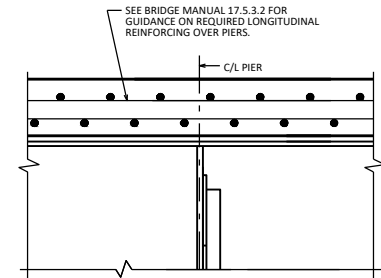
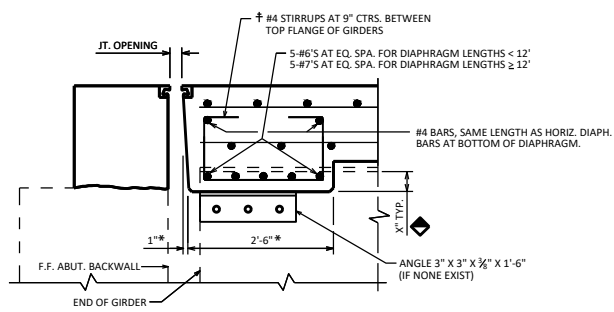


SECTION THRU EXPANSION END

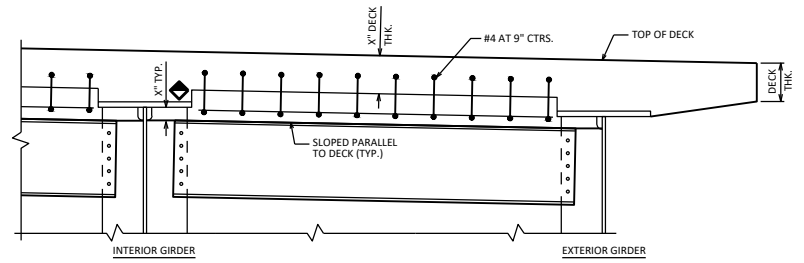
DIAPHRAGM TO EXTEND TO GIRDER WEB
(SEE PART TRANSVERSE SECTION AT DIAPHRAGM EXPANSION END FOR TYPICAL EXTENTS)



SECTION AT PIER



**SECTION THRU EXPANSION END OF NEW DECK
SHOWING EXISTING STEEL GIRDER
WITHOUT EXISTING STEEL DIAPHRAGM**
(SEE STD. 40.04 FOR ADDITIONAL DETAILS)



**PART TRANSVERSE SECTION AT DIAPHRAGM
EXPANSION END**

NOTES


FOR REHABILITATION PROJECTS:
DIAPHRAGM SUPPORT ANGLES SHALL BE ASTM A709 GRADE 36.
BOLTS ARE 1/2" DIA. ALL BOLTS, NUTS AND WASHERS SHALL BE ASTM A325 TYPE 1.
ALL SUPPORT ANGLES SHALL BE HOT-DIPPED GALVANIZED.
ALL BOLTS, NUTS AND WASHERS SHALL BE HOT-DIPPED GALVANIZED IN ACCORDANCE WITH ASTM A153 CLASS C. GALVANIZED NUTS SHALL BE TAPPED OVERSIZED IN ACCORDANCE WITH THE REQUIREMENTS OF ASTM A563 AND SHALL MEET THE REQUIREMENTS OF SUPPLEMENTARY REQUIREMENT S1 OF ASTM A563, LUBRICANT AND TEST FOR COATED NUTS.
ALL DIAPHRAGM SUPPORT HARDWARE SHALL BE INCIDENTAL TO "CONCRETE MASONRY BRIDGES".
ALL REPLACEMENT PAVING BLOCK DIMENSIONS SHALL MATCH EXISTING PLAN DIMENSIONS UNLESS DESIGNER DETERMINES OTHERWISE.

DESIGNER NOTE

◆ 3" MINIMUM. USE 3" UNLESS INCREASED TO ACCOMMODATE LARGE EXPANSION DEVICES.

LEGEND

† BARS PLACED PARALLEL TO GIRDERS. SPACING PERPENDICULAR TO C/L GIRDERS.
* DIMENSION IS TAKEN NORMAL TO C/L ABUTMENT

STEEL GIRDER SLAB & SUPERSTRUCTURE DETAILS	
 BUREAU OF STRUCTURES	
APPROVED: <i>Laura Shadewald</i>	DATE: 1-18