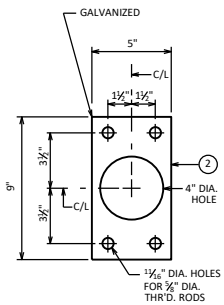
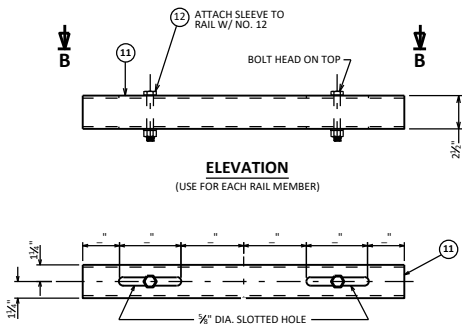


TYPICAL RAIL POST BASE PLATE



ANCHOR PLATE

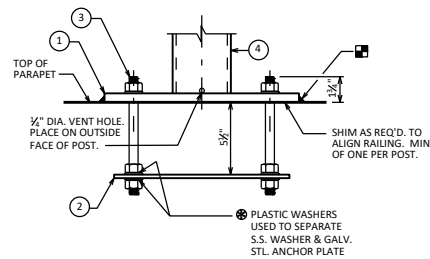


ELEVATION
(USE FOR EACH RAIL MEMBER)

SECTION B-B

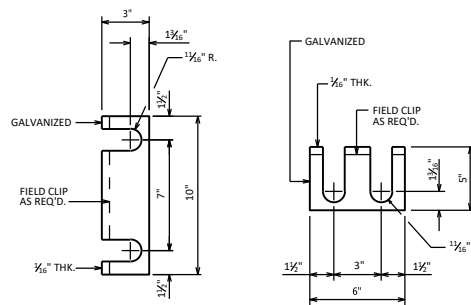
SLEEVE DETAIL
(AT MODULAR EXP. JTS.)

NOTE: CONSTRUCT BOTTOM RAIL AND SLEEVE CONNECTION FIRST, THEN MIDDLE RAIL, AND THEN TOP RAIL, TO ALLOW EASE IN PLACEMENT OF BOLT NO. 12.



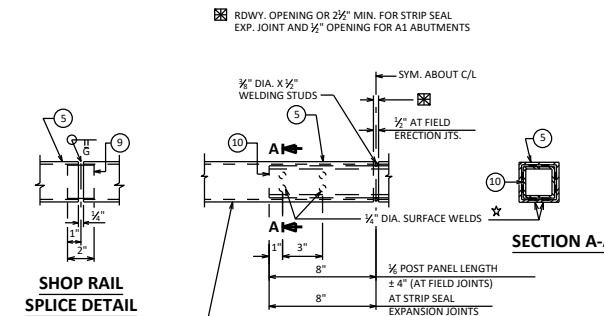
ANCHORAGE FOR RAIL POSTS

★NOTE: ANCHOR PLATE NOT REQUIRED WHEN ADHESIVE ANCHORS ARE USED.



RAIL POST SHIM DETAIL

(2 SETS PER POST)



SHOP RAIL SPLICE DETAIL
(LOCATION MUST BE SHOWN ON SHOP DRAWINGS)

FIELD ERECTION JOINT DETAIL

★MIN. 3/4" FLAT SURFACE DIA. PUNCHINGS OR STUDS MAY BE USED AS AN ALTERNATE.

PROVIDE 3/4" DIA. DRAIN HOLES IN LOW END OF ALL RAILS, CLEAR OF SPLICE SLEEVE.

LEGEND

- 1 BASE PLATE 3/4" X 6" X 10" WITH 3/4" X 1 1/2" SLOTTED HOLES FOR THR'D RODS NO.3 WELD TO NO.4 AS SHOWN. SLOTS PARALLEL TO LONG SIDE OF PLATE.
- 2 3/4" X 5" X 9" ANCHOR PLATE (GALVANIZED) WITH 1 1/2" DIA. HOLES FOR THR'D. RODS NO.3.
- 3 3/4" DIA. X 9" LONG, TYPE 316 STAINLESS STEEL THREADED RODS (MIN. TENSILE STRENGTH = 70 KSI) WITH NUT AND WASHERS OF SAME ALLOY GROUP. ★
- 4 STRUCTURAL TUBING 3" X 3" X 3/16" POSTS, PLACE VERTICAL, WELD TO NO.1, AND USE 1" DIA. HOLES (FRONT AND BACK) FOR BOLT NO.6.
- 5 STRUCTURAL TUBING 3" X 3" X 3/16" RAILS, WITH 1/2" DIA. HOLES (FRONT AND BACK) FOR BOLT NO.6.
- 6 3/4" DIA. A325 SLOTTED ROUND HEAD BOLT WITH HEX NUT, 3/4" X 1 1/2" X 1 1/2" WASHER, AND LOCK WASHER.
- 9 RECTANGULAR SLEEVE FABRICATED FROM 3/16" PLATES. PROVIDE "SLIDING FIT".
- 10 RECTANGULAR SLEEVE FABRICATED FROM 3/16" PLATES. (1"-4" @ FIELD ERECTION JTS.) (1"-4" @ STRIP SEAL EXP. JTS.)
- 11 SLEEVE FABRICATED FROM STRUCTURAL TUBING 2 1/2" X 2 1/2" X 1/8" X ' ' LONG. SLOTTED HOLES IN TOP AND BOTTOM.
- 12 3/4" DIA. STAINLESS STEEL BOLT WITH NUT AND LOCKWASHER.

★ALTERNATIVE ANCHORAGE: 4 EQUIVALENT STAINLESS STEEL CONCRETE ADHESIVE ANCHORS 3/8" - INCH. EMBED 7" IN CONCRETE. ADHESIVE ANCHORS SHALL CONFORM TO SECTIONS 502.2.12 AND 502.3.14 OF THE STANDARD SPECIFICATIONS.

NOTES

BID ITEM SHALL BE "RAILING STEEL TYPE 3T", WHICH SHALL INCLUDE ALL STEEL ITEMS SHOWN.

POST BASE PLATES SHALL BE FLAT WITH ALL SURFACES SMOOTH AND FREE FROM WARP AND ALL EDGES SMOOTH, STRAIGHT, AND VERTICAL. ALL PLATE CUTS SHALL BE MACHINE OR MACHINE FLAME CUT.

ENDS OF STRUCTURAL TUBING SHALL BE SAWED. GRIND SMOOTH EXPOSED EDGES. ALL CUT ENDS SHALL BE TRUE AND SMOOTH.

ALL PLATES, AND RECTANGULAR SLEEVES SHALL CONFORM TO ASTM A709 GRADE 36. ALL STRUCTURAL TUBING SHALL CONFORM TO ASTM A500 GRADE B.

ANCHORAGES SHALL BE ACCURATELY PLACED TO PROVIDE CORRECT ALIGNMENT OF RAILING. SET NORMAL TO GRADE.

CUT BOTTOM OF POST TO MAKE POST VERTICAL IN BOTH TRANSVERSE AND LONGITUDINAL DIRECTION.

STEEL SHIMS SHALL BE PROVIDED & USED UNDER BASE PLATE NO. 1, WHERE REQUIRED FOR ALIGNMENT, AND SHALL BE GALVANIZED.

■ CAULK AROUND PERIMETER OF BASE PLATES, NO. 1, AND FILL BOLT SLOT OPENINGS IN SHIMS AND BASE PLATES WITH NON-STAINING GRAY NON-BITUMINOUS JOINT SEALER.

ALL JOINTS IN CONCRETE PARAPET ARE TO BE VERTICAL.

ALL MATERIAL (EXCEPT NO. 3 & 12) SHALL BE GALVANIZED AFTER FABRICATION. PRIOR TO GALVANIZING, THE STEEL RAILING SHALL BE GIVEN A NO. 6 BLAST CLEANING PER SSPC SPECIFICATIONS.

VENT HOLES SHALL BE DRILLED IN POST AND RAIL MEMBERS AS REQUIRED TO FACILITATE GALVANIZING AND DRAINAGE.

RAILING SHALL BE FABRICATED IN LENGTHS THAT INCLUDE 3 OR 4 POSTS.

WHEN PAINTING REQ'D: (ADD)

PAINT OVER GALVANIZING (EXCEPT NO. 2) WITH AN APPROVED TIE COAT AND TOP COAT AS SPECIFIED IN THE CONTRACT DOCUMENTS. THE RAILING SHALL BE PAINTED AMS STD. COLOR NO. () (FILL IN COLOR NAME).

INSIDE OF TUBES TO BE PAINTED AT ALL FIELD ERECTION AND EXPANSION JOINTS.

TOUCH-UP PAINTING TO BE DONE AT COMPLETION OF STEEL RAILING INSTALLATION TO THE SATISFACTION OF THE ENGINEER AT NO EXTRA COST.

**COMBINATION RAILING
TYPE '3T' DETAILS**



APPROVED: *Laura Shadewald*

DATE:
1-20