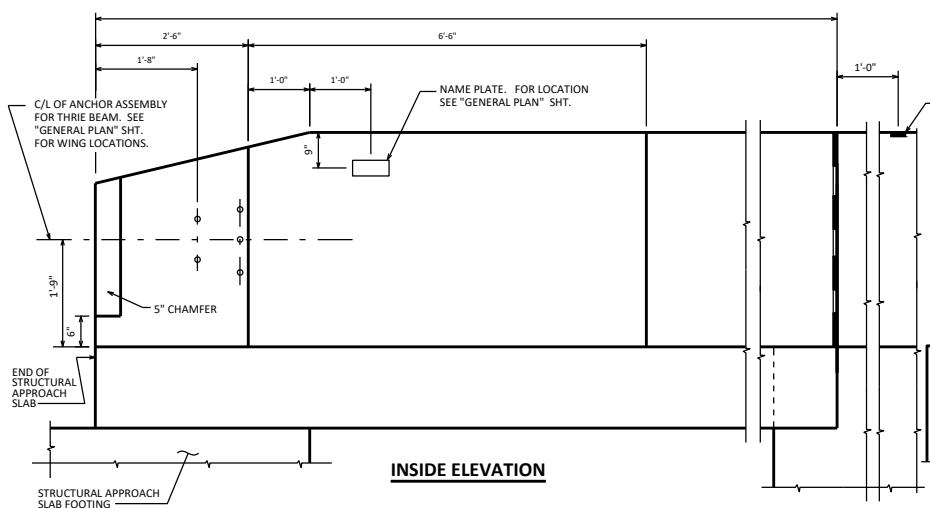
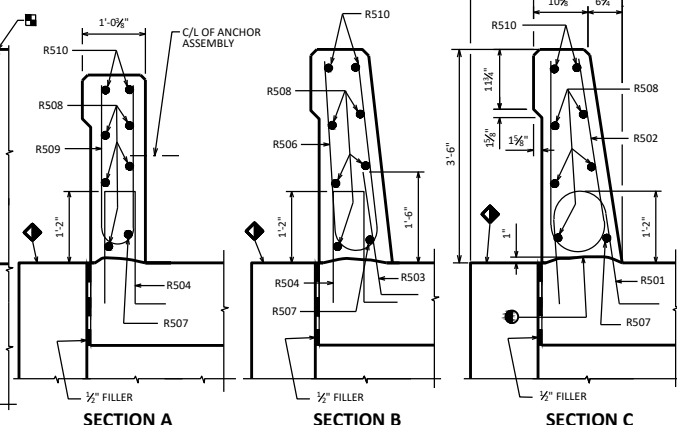


■ BENCHMARK (WHEN SUPPLIED), AVOID PLACING BELOW A RAIL OR FENCE SYSTEM THAT IS ATTACHED TO THE TOP OF THE PARAPET.



**INSIDE ELEVATION**



**SECTION A**

**SECTION B**

**SECTION C**

**BILL OF BARS**

FOR STRUCTURAL APPROACH SLAB PARAPETS

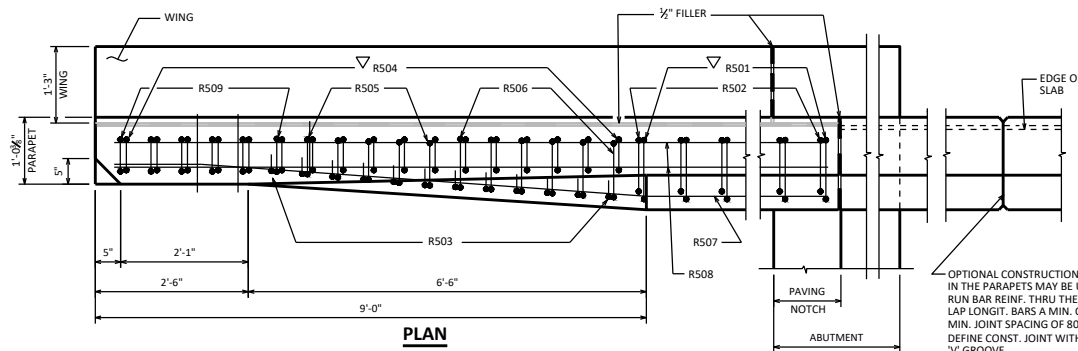
BAR MARK	CO.	ABUT.	ABUT.	LENGTH	REIN.	BAR SERIES	LOCATION
R501	X			4-5	X		PARAPET-VERT.
R502	X			6-8	X		PARAPET-VERT.
R503	X			2-9	X		PARAPET-VERT.
R504	X			4-4	X		PARAPET-VERT.
R505	X			6-5	X		PARAPET-VERT.
R506	X			6-6	X		PARAPET-VERT.
R507	X				X		PARAPET-HORIZ.
R508	X						PARAPET-HORIZ.
R509	X			5-5	X	▲	PARAPET-VERT.
R510	X				X		PARAPET-HORIZ.

▲ LENGTH SHOWN FOR BAR IS AN AVERAGE LENGTH AND SHOULD ONLY BE USED FOR BAR WEIGHT CALCULATIONS. SEE BAR SERIES TABLE FOR ACTUAL LENGTHS.

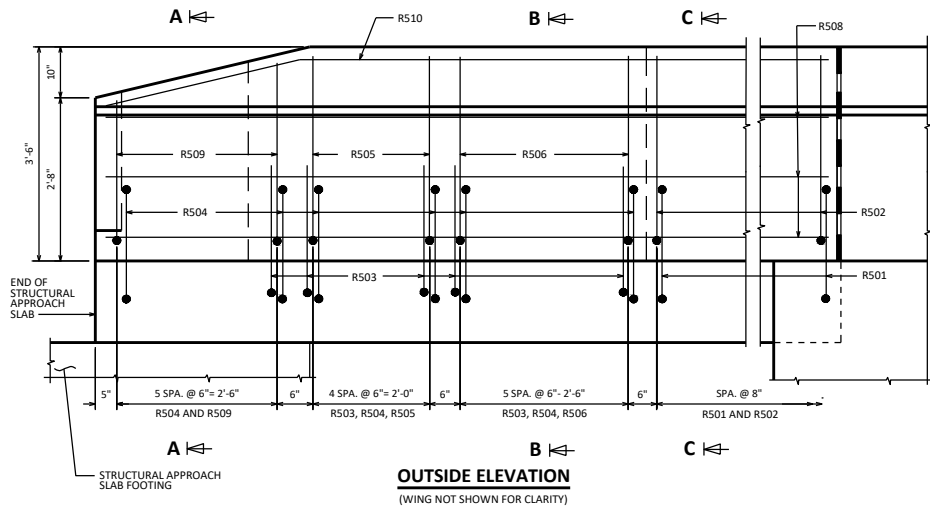
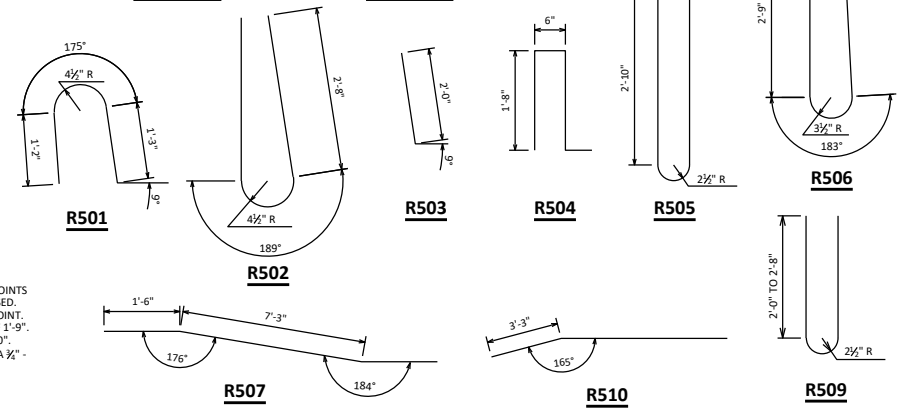
**BAR SERIES TABLE**

MARK	NO. REQD.	LENGTH
R509	4 SERIES OF 6	4'-9" TO 6'-1"

BUNDLE AND TAG EACH SERIES SEPARATELY.



**PLAN**



**OUTSIDE ELEVATION**  
(WING NOT SHOWN FOR CLARITY)

AREA = 3.75 SF  
WEIGHT = 563 LB/FT

● CONST. JOINT - STRIKE OFF AS SHOWN.

◆ SLOPE FOR DRAINAGE

▽ R501 AND R504 BARS TO BE TIED TO STRUCTURAL APPROACH SLAB STEEL BEFORE STRUCTURAL APPROACH SLAB IS POURED.

**DESIGNER NOTES**

SEE STRUCTURAL APPROACH SLAB STANDARDS 12.10 AND 12.11 FOR APPROACH SLAB INFORMATION.

A1 ABUT. SHOWN. SEE STANDARD 12.12 FOR A3 ABUT. DETAILS.

SEE STANDARD 30.32 FOR DETAILS OF 42SS PARAPET ON BRIDGE.

**SINGLE SLOPE PARAPET 42SS WITH STRUCTURAL APPROACH SLAB**

APPROVED: *Laura Shadewald* DATE: 7-19