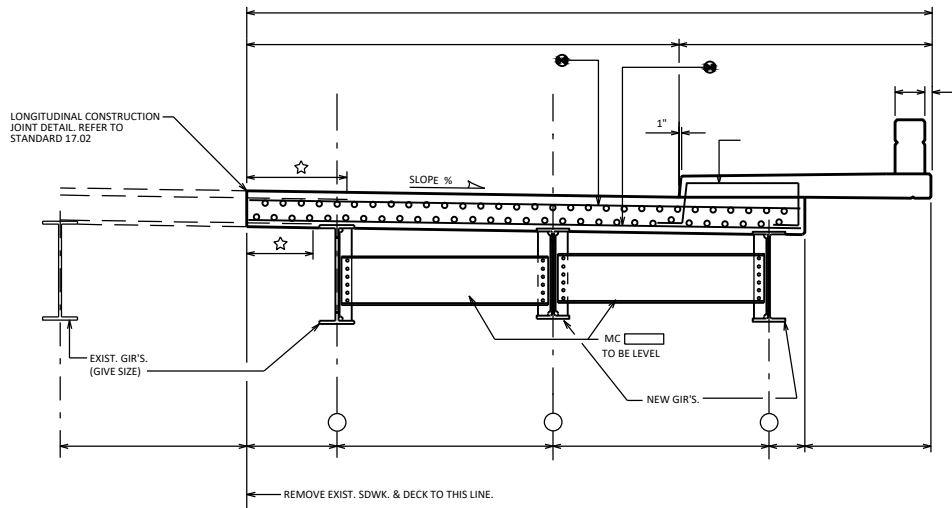
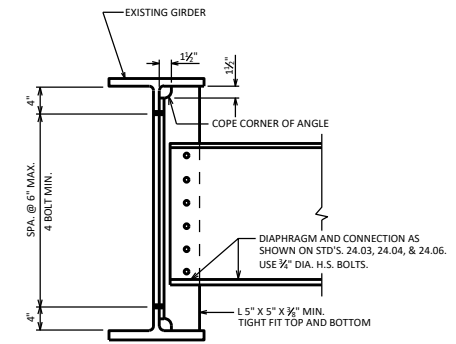


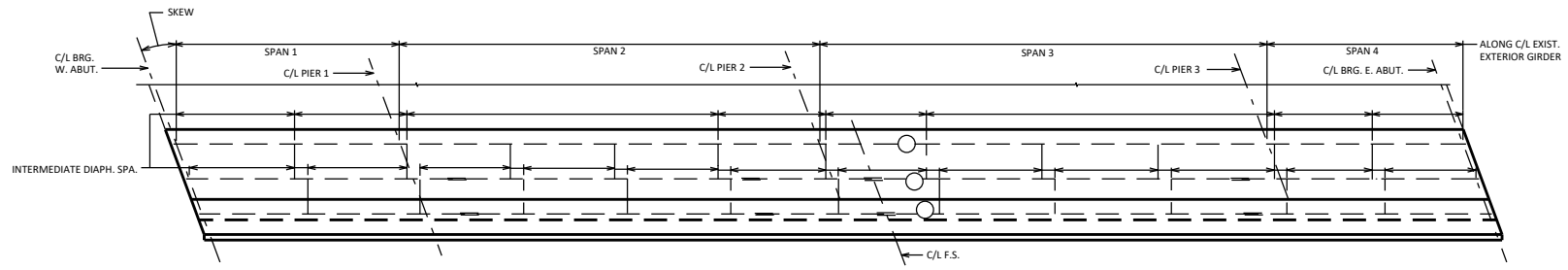
☆ MIN. LAP, TOP.
 ☐ MIN. LAP, BOT.
 ● LAP TO EXIST. TRANS. BARS.




CROSS SECT. THRU RDWY.



DIAPHRAGM CONNECTION TO EXISTING STEEL GIRDER



PLAN

SLAB WIDENING	
 BUREAU OF STRUCTURES	
APPROVED: <i>Laura Shadewald</i>	DATE: 7-16