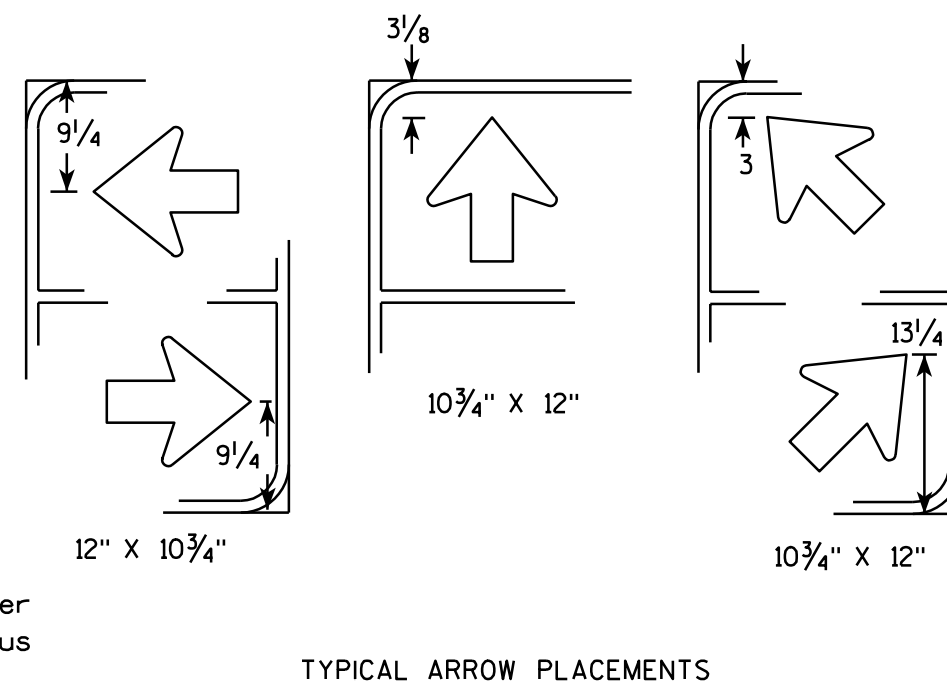
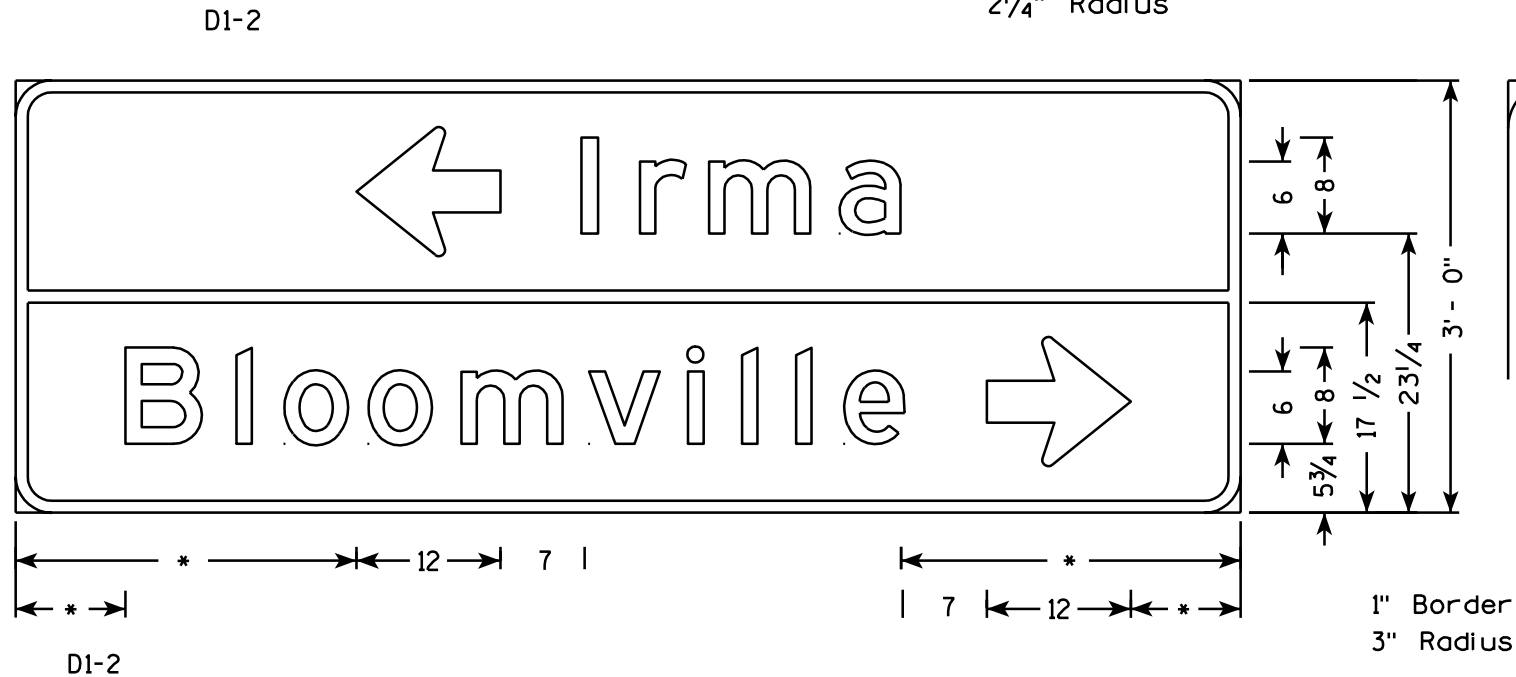
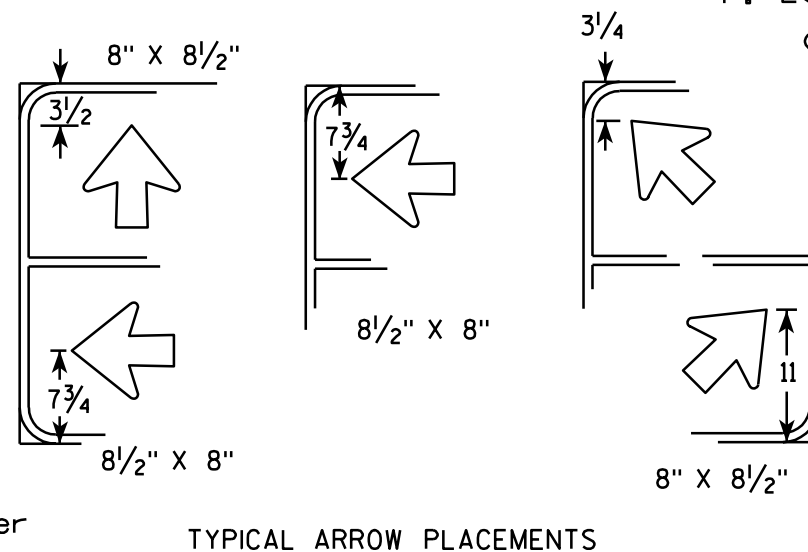
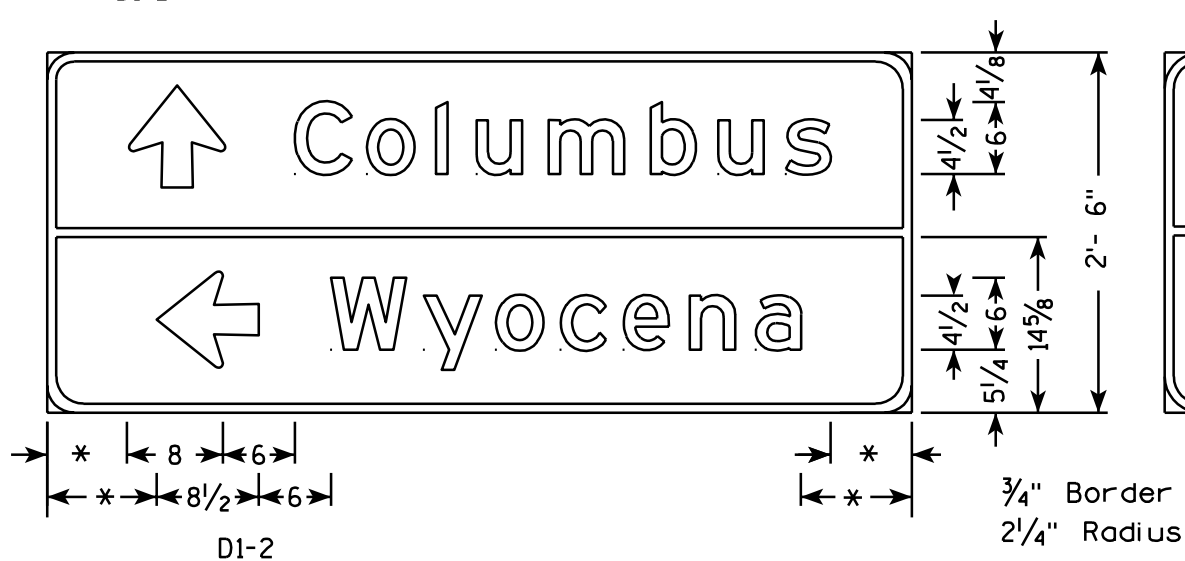
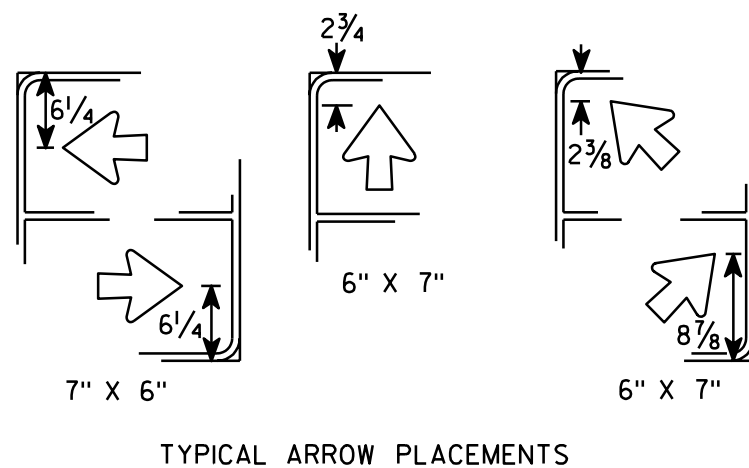
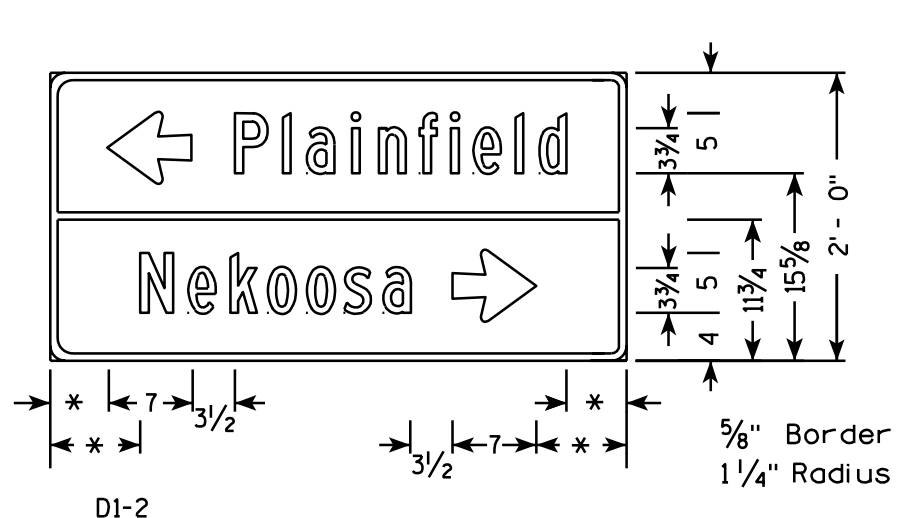


# TYPICAL EXAMPLES

## NOTES

1. All signs are Type II - Type H Reflective
2. Color:  
Background - Green  
Message - White - Type H Reflective
3. Message Series for 3 3/4" L C is Series C and Series E for 4 1/2" L C and 6" L C.
4. Overall length of these signs is in 6" increments.
5. Arrows as per standard plate A1-2.
6. Tilt arrow is always at 45°.
7. Each line of copy including the arrow is centered on the board.

\* Minimum dimension normally height of upper case letter.



DESTINATION - DIRECTIONAL  
SIGNS

WISCONSIN DEPT OF TRANSPORTATION

APPROVED *Matthew R. Rauch*  
For State Traffic Engineer

DATE 6/20/03 PLATE NO. A11-11C.4