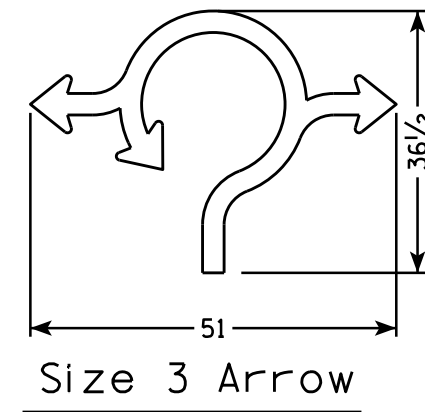
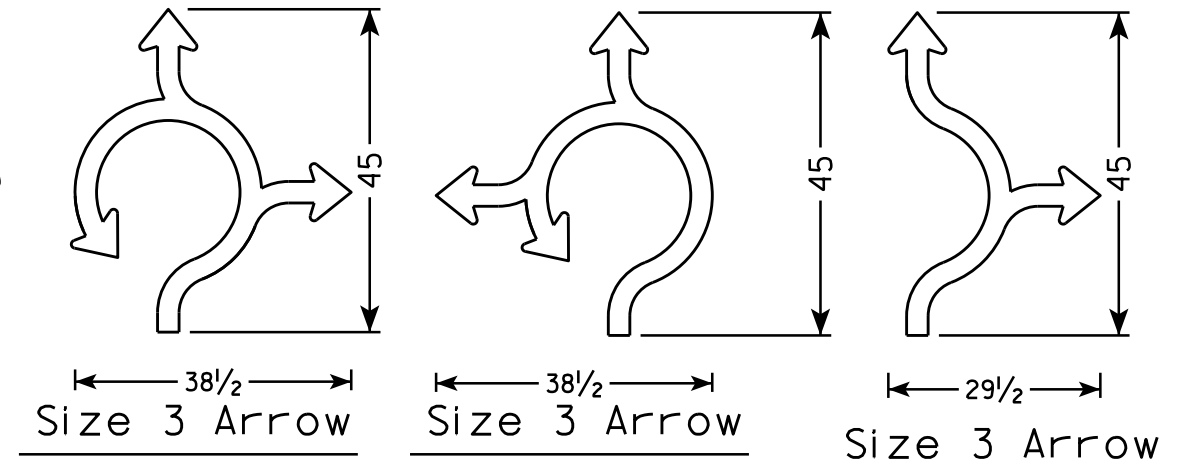
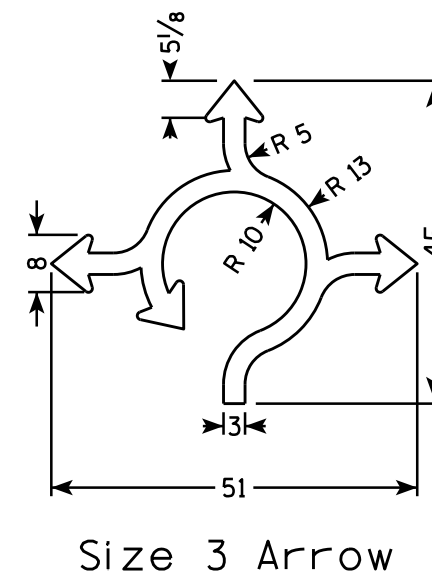
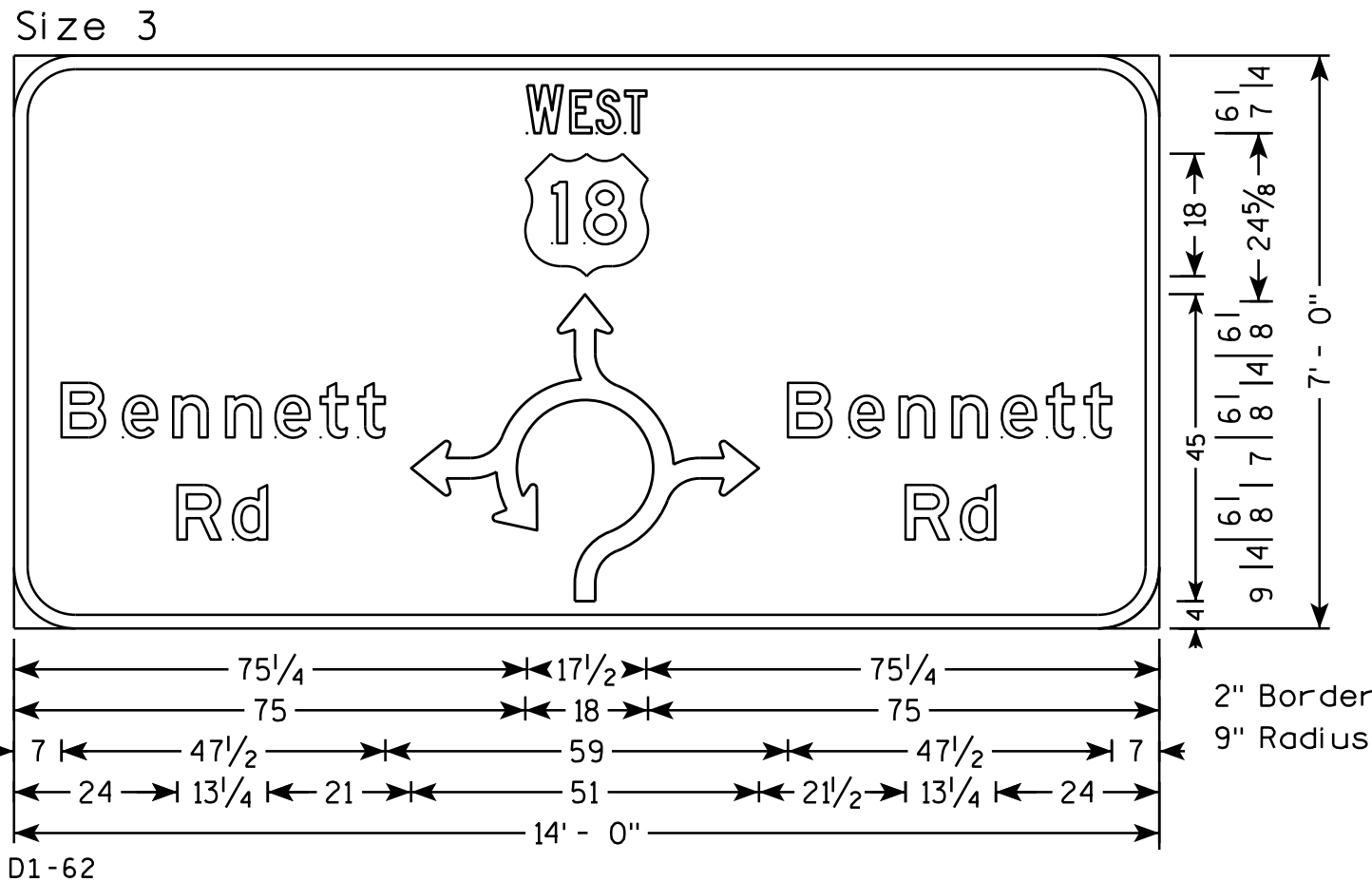
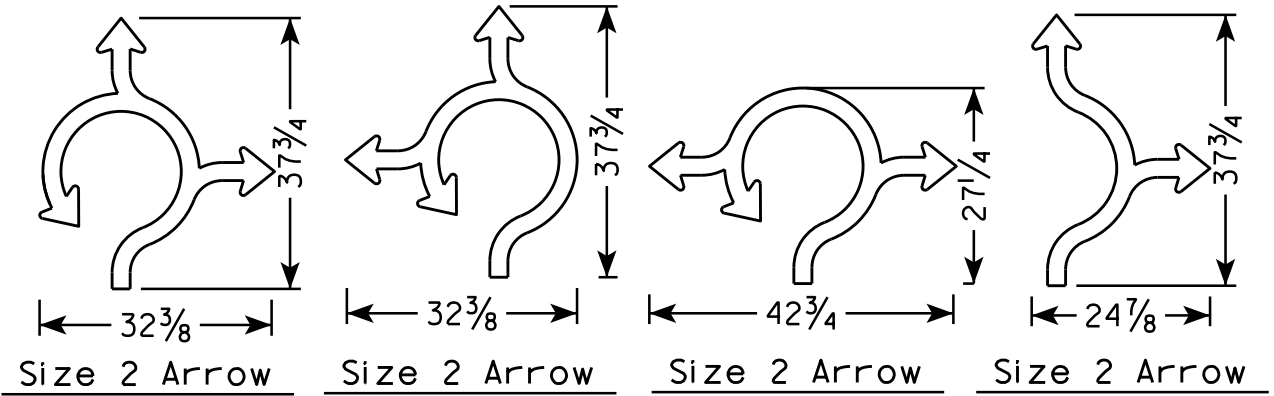
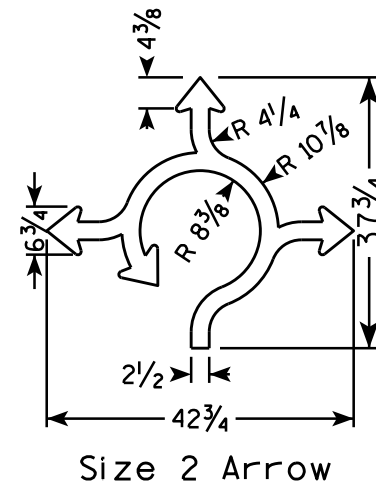
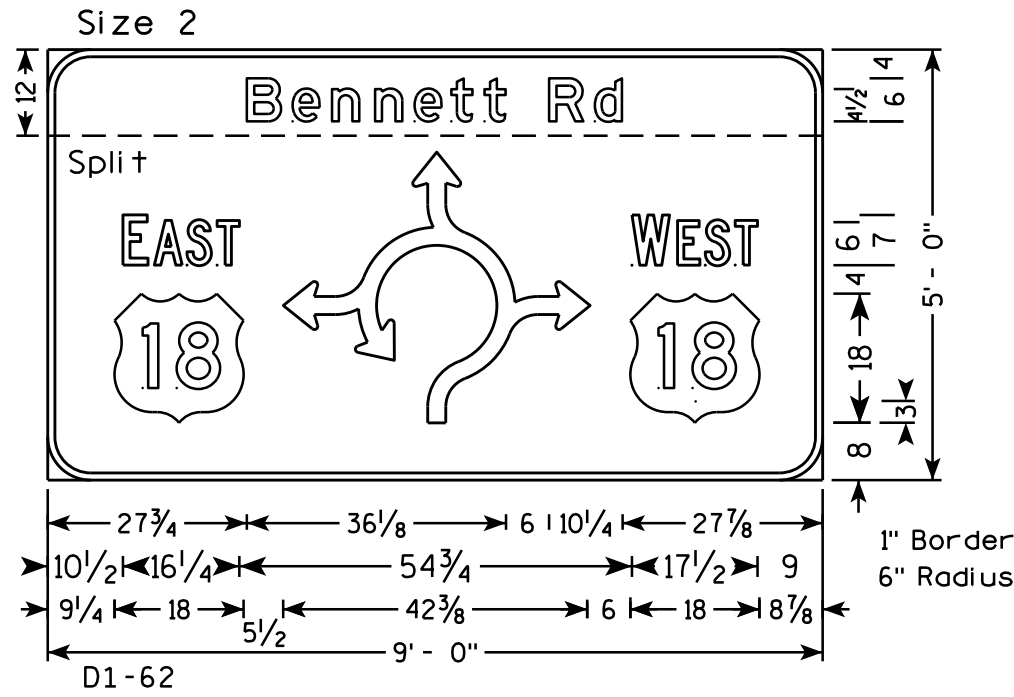


# TYPICAL EXAMPLES

## NOTES

- All signs are Type II - Type H Reflective  
Signs over 12' wide shall be Type I - Type SH Reflective
- Color:  
Background - Green  
Message - White
- Message Series - E
- Colors for shields shall be according to the applicable route marker specifications.
- Splits shown are for Type II Only
- Shield size is 18" except for M1-55 size shall be 15"
- Cardinals are Series C, see plate M3-1 thru M3-4 Size 2.



ROUNDABOUT GUIDE SIGNS	
WISCONSIN DEPT OF TRANSPORTATION	
APPROVED	<i>Matthew R. Rauch</i> For State Traffic Engineer
DATE 4/27/16	PLATE NO. A11-12.6