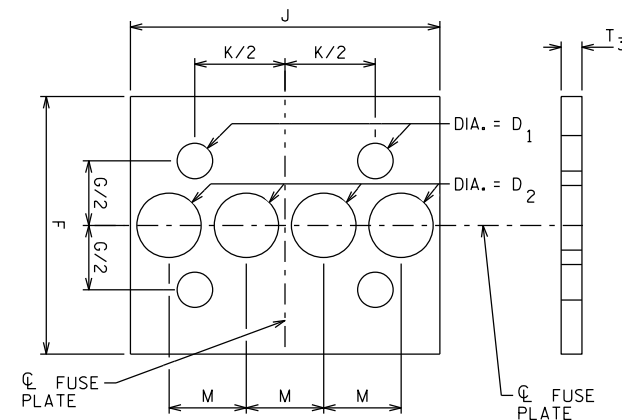
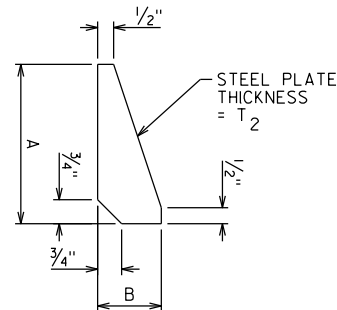


SIGN POST & STUB POST ELEVATION

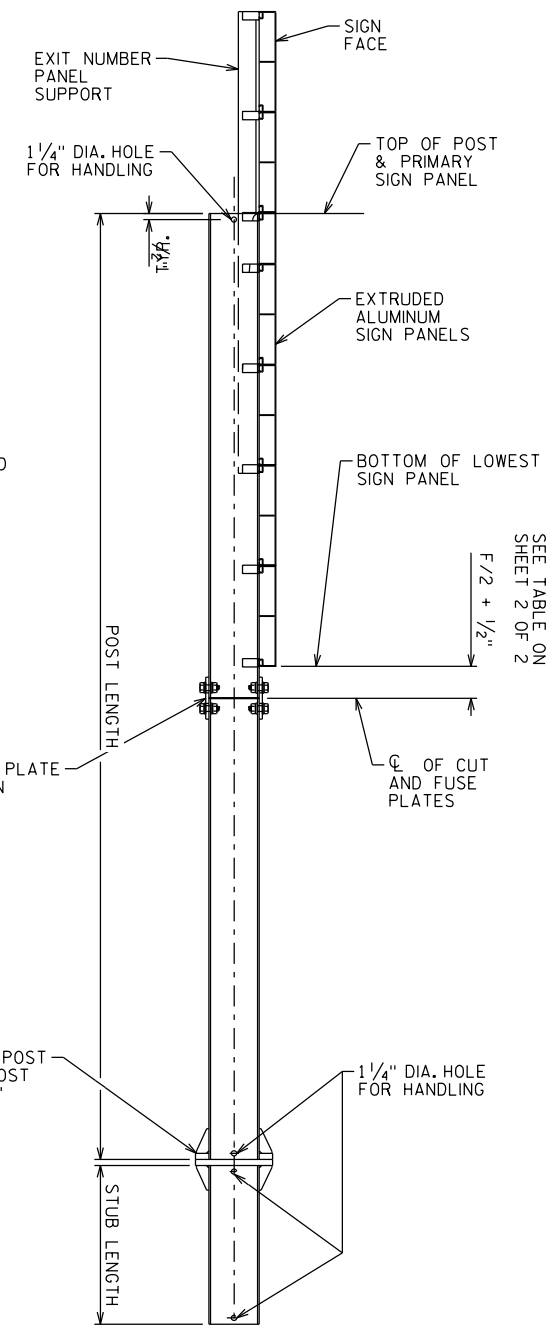
STIFFENER PLATE DETAIL
(REFER TO TABLE ON SHEET 2 OF 2 FOR DIMENSIONS)



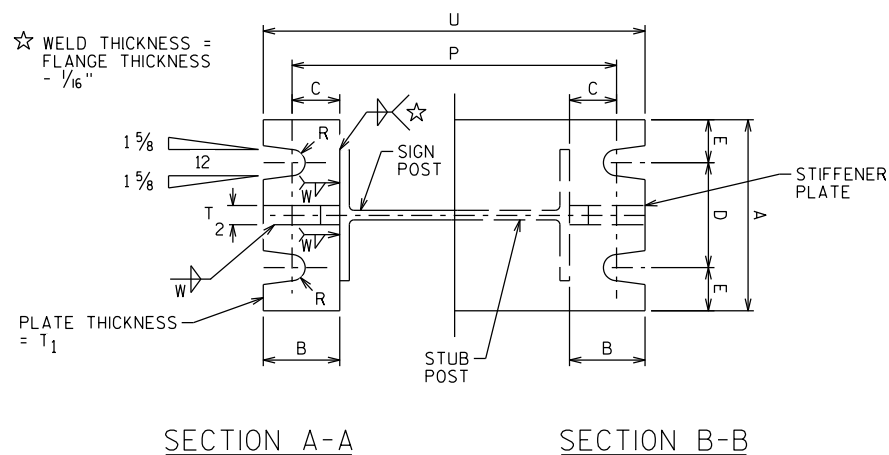
PERFORATED FUSE PLATE DETAIL

USE H.S. HEX HEAD BOLTS, HEX HEAD NUT AND FLAT WASHER UNDER NUT. INSTALL BOLTS PER THE WISCONSIN DEPARTMENT OF TRANSPORTATION STANDARD SPECIFICATION SECTION 506.3.12.3.

ALL HOLES SHALL BE DRILLED, SUB-PUNCHED AND REAMED. ALL PLATE CUTS SHALL PREFERABLY BE SAW CUTS. HOWEVER, FLAME CUTTING WILL BE PERMITTED PROVIDED ALL EDGES ARE GROUND. METAL PROJECTING BEYOND THE PLANE OF THE PLATE FACE WILL NOT BE PERMITTED. STEEL FUSE PLATES SHALL CONFORM TO THE REQUIREMENTS OF ASTM A36, ASTM A572 GRADE 50 OR ASTM A588 MAY BE SUBSTITUTED FOR A36 AT THE OPTION OF THE FABRICATOR. MILL TEST REPORTS SHALL BE SUBMITTED FOR FUSE PLATES. STEEL USED SHALL HAVE AN ULTIMATE TENSILE STRENGTH NOT TO EXCEED 80 KSI.

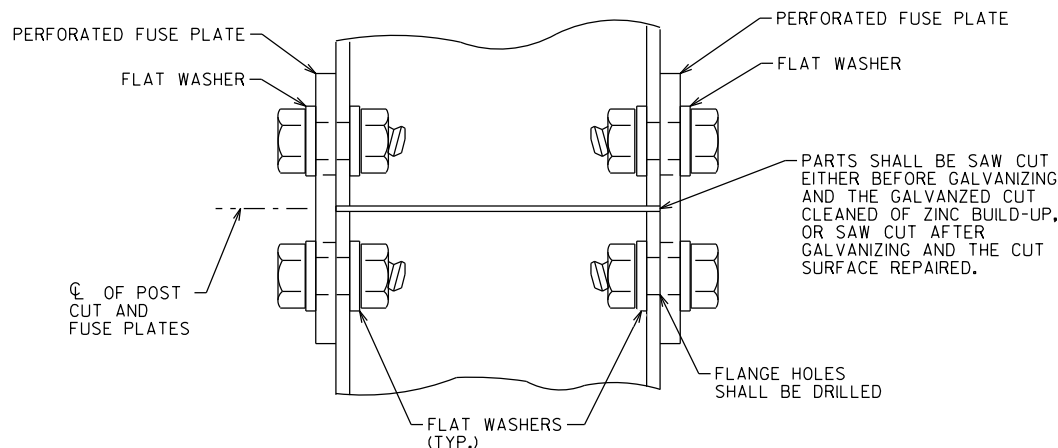


POST DETAIL

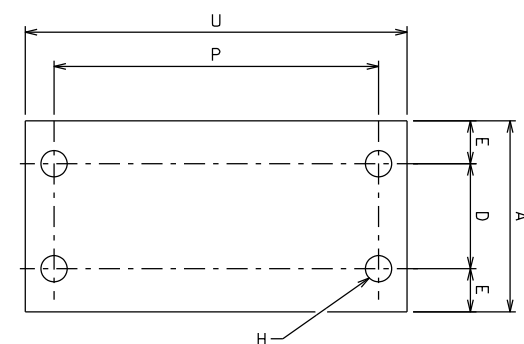


SECTION A-A

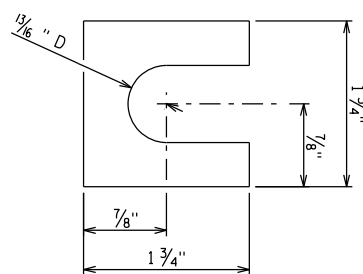
SECTION B-B



FUSE PLATE CONNECTION DETAIL



BOLT KEEPER PLATE DETAIL
30 GA GALVANIZED SHEET STEEL



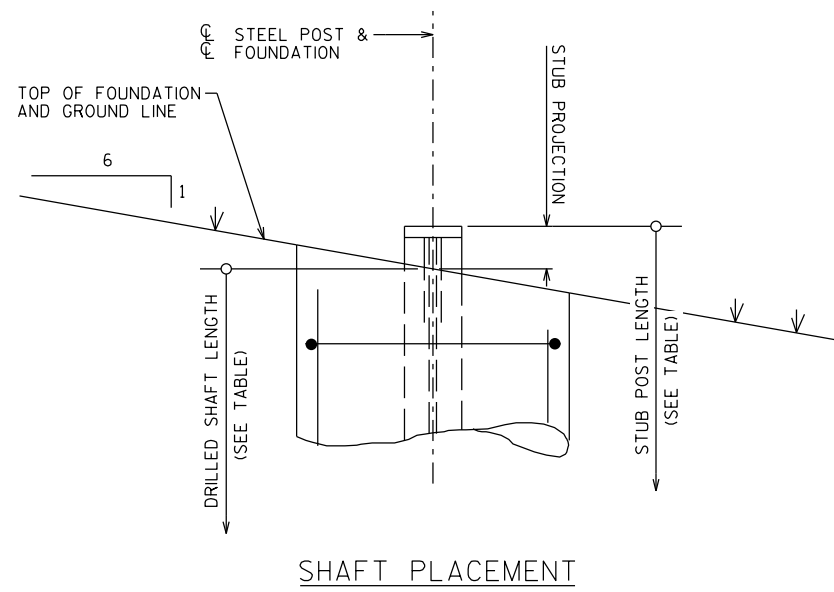
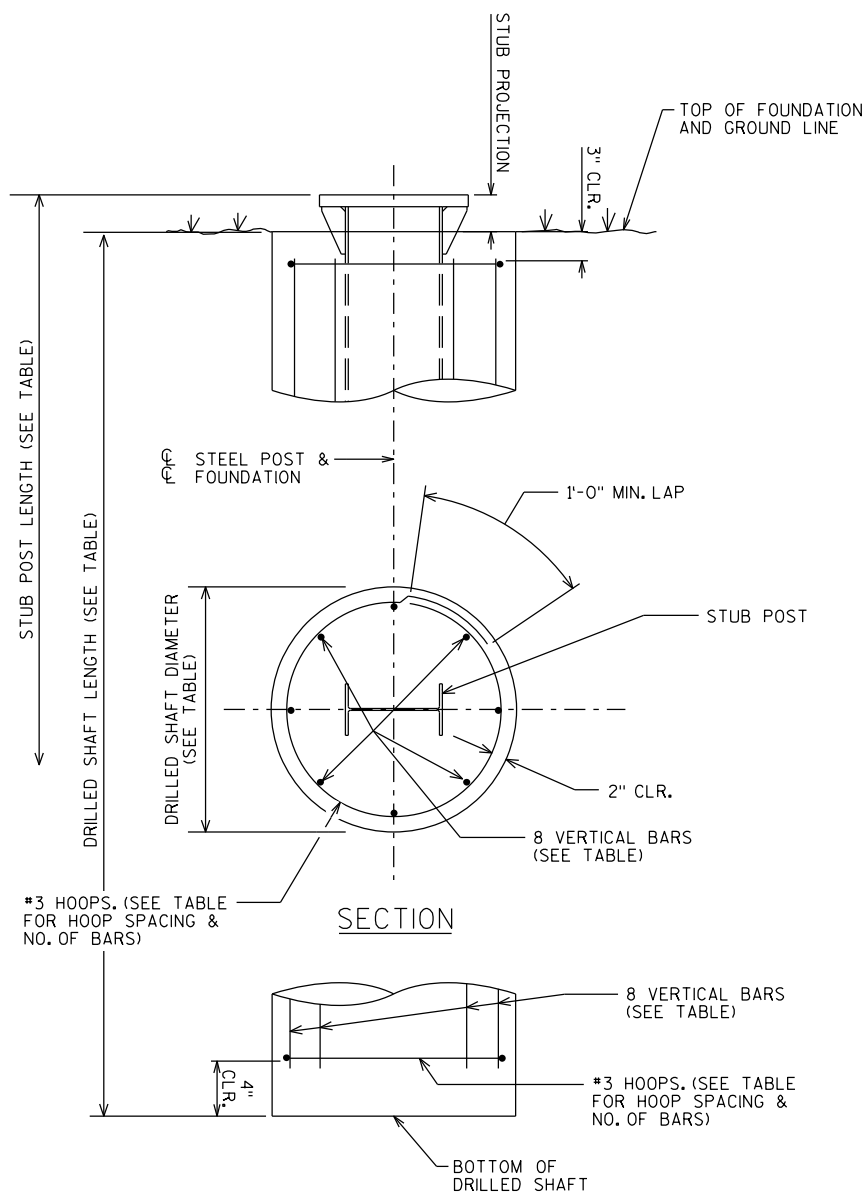
SHIM DETAIL

FURNISH TWO .012"± THICK AND TWO .032"± THICK SHIMS PER POST. SHIMS SHALL BE FABRICATED FROM BRASS SHIM STOCK OR STRIP CONFORMING TO ASTM B36.

BOLTING PROCEDURE FOR BASE CONNECTION

1. ASSEMBLE SIGN POST, BOLT KEEPER PLATE, AND STUB POST WITH BOLTS AND THREE FLAT WASHERS PER BOLT AS SHOWN.
2. SHIM AS REQUIRED TO PLUMB POST.
3. PRIOR TO BOLT TIGHTENING, LUBRICATE BASE CONNECTION BOLTS WITH BEESWAX OR OTHER HIGH-WAX LUBRICANT.
4. TIGHTEN ALL BOLTS THE MAXIMUM POSSIBLE WITH A 12" OR 15" WRENCH TO BED WASHERS & SHIMS AND TO CLEAN BOLT THREADS.
5. LOOSEN EACH BOLT IN TURN AND RETIGHTEN IN A SYSTEMATIC ORDER TO THE PERSCRIBED TORQUE. (SEE TABLE FOR PERSCRIBED TORQUE). DO NOT OVER-TIGHTEN.
6. BURR THREADS AT JUNCTION WITH NUT USING A CENTER PUNCH TO PREVENT NUT LOOSENING.

NO.	DATE	REVISION	BY
STATE OF WISCONSIN DEPARTMENT OF TRANSPORTATION STRUCTURES DESIGN SECTION			
STRUCTURE BTO TYPE I SIGNS			
		DRAWN BY	PLANS CK'D.
CONNECTION & FOUNDATION DETAILS 1 OF 2			SHEET A3-120



FOUNDATION DATA TABLE

POST SHAPE	STUB LENGTH	STUB PROJECTION	DRILLED SHAFT DIAMETER	DRILLED SHAFT LENGTH	VERTICAL BARS		HOOPS		CONCRETE VOLUME	TOTAL REINF. WEIGHT
					SIZE	LENGTH	MAX SPA.	NO.		
W6X15	2'-6"	3"	24"	6'-6"	#5	5'-11"	10"	9	0.8 CY	71 LB
W8X18	2'-6"	3"	24"	7'-6"	#6	6'-11"	12"	8	0.9 CY	102 LB
W8X21	3'-0"	2 1/2"	24"	8'-0"	#6	7'-5"	12"	9	1.0 CY	110 LB
W10X22	3'-0"	2 1/2"	24"	8'-6"	#7	7'-11"	12"	9	1.0 CY	151 LB
W12X26	3'-0"	2 1/2"	24"	10'-0"	#7	9'-5"	12"	11	1.2 CY	180 LB

◆ QUANTITIES SHOWN ARE FOR ONE DRILLED SHAFT

BASE CONNECTION & FUSE PLATE DATA TABLE

POST SHAPE	WEIGHT PER FOOT	BOLT SIZE & TORQUE	BASE CONNECTION DATA										BOLT KEEPER PLATE DATA		PERFORATED FUSE PLATE DATA										BOLT LENGTH	V
			A	B	C	D	E	T1	T2	W	R	P	U	F	G	J	K	M	D1	D2	T3	BOLT DIA.	WGT. EA. LBS			
W6X15	15 LB	5/8" DIA. X 4"	5"	2"	1 1/4"	2 3/4"	1 1/8"	1 1/4"	1/2"	1/4"	1 1/32"	8 1/2"	10"	5"	2 1/2"	6"	3 1/2"	1 1/2"	1 1/16"	1 1/4"	3 3/8"	5 3/8"	2.4	2	73.0 LB	
W8X18	18 LB	3/4" DIA. X 4"	5"	2"	1 1/4"	2 3/4"	1 1/8"	1 1/4"	1/2"	1/4"	1 1/32"	10 5/8"	12 1/8"	5"	2 1/2"	5 1/4"	2 3/4"	1 1/4"	1 1/16"	1 1/16"	3 3/8"	5 3/8"	2.0	2	83.0 LB	
W8X21	21 LB	3/4" DIA. X 4 3/4"	6"	2 1/4"	1 3/8"	3 1/2"	1 1/4"	1 1/2"	3/4"	5/16"	1 1/32"	11"	12 3/4"	5 1/2"	2 1/2"	5 1/4"	2 3/4"	1 1/4"	1 1/16"	1"	1 1/2"	3 3/4"	3.1	2 1/4"	124.0 LB	
W10X22	22 LB	3/4" DIA. X 4 3/4"	6"	2 1/4"	1 3/8"	3 1/2"	1 1/4"	1 1/2"	3/4"	5/16"	1 1/32"	12 7/8"	14 5/8"	6"	3"	5 3/4"	2 3/4"	1 3/8"	1 1/16"	1 1/8"	1 1/2"	3 3/4"	3.9	2 1/4"	134.0 LB	
W12X26	26 LB	3/4" DIA. X 4 3/4"	6"	2 1/4"	1 3/8"	3 1/2"	1 1/4"	1 1/2"	3/4"	5/16"	1 1/32"	15"	16 3/4"	6"	3"	6 1/2"	3 1/2"	1 5/8"	1 1/16"	1 1/2"	3 3/4"	4.5	2 1/4"	152.0 LB		

◆ TOTAL STRUCTURAL CARBON STEEL WEIGHT FOR ONE POST = V + (POST LENGTH X POST WEIGHT PER FOOT)

"V" INCLUDES STUB POST, BASE PLATES, STIFFENER PLATES, PERFORATED FUSE PLATES, BOLTS, NUTS, AND WASHERS.

GENERAL NOTES

DRAWINGS SHALL NOT BE SCALED

MATERIALS SHALL CONFORM TO THE WISCONSIN DEPARTMENT OF TRANSPORTATION STANDARD SPECIFICATIONS SECTION 506, UNLESS NOTED OTHERWISE.

FABRICATION SHALL CONFORM TO THE WISCONSIN DEPARTMENT OF TRANSPORTATION STANDARD SPECIFICATIONS SECTION 506.

ALL POST, POST STUBS & ATTACHMENTS SHALL BE ASTM A709 GRADE 50, GALVANIZED IN ACCORDANCE WITH ASTM A123.

THE POST, BASE PLATES, UPPER SIX INCHES OF STUB POST, FLANGE SPLICE PLATE AND FUSE PLATE SHALL BE GALVANIZED AFTER FABRICATION.

H.S. BOLTS, WASHERS, & NUTS SHALL BE A325 GALVANIZED.

FOUNDATION MATERIAL PROPERTIES

CONCRETE MASONRY F'C = 3,500 P.S.I.

BAR STEEL REINFORCEMENT (UNCOATED), GRADE 60 F_y = 60,000 P.S.I.

DESIGN DATA

DESIGN CONFORMS TO AASHTO LRFD SPECIFICATIONS FOR STRUCTURAL SUPPORTS FOR HIGHWAY SIGNS, LUMINAIRES, AND TRAFFIC SIGNALS 1ST EDITION 2015 (WITH 2017 & 2018 INTERIM REVISIONS).

- DEAD LOADS (DL):**
- STEEL POST SELF WEIGHT
 - SIGN PANEL WEIGHT = 3 PSF
- WIND LOADS (WL):**
- WIND LOADS WERE APPLIED TO THE PROJECTED AREAS OF THE SIGN PANELS AND THE STEEL SIGN POSTS.
- BASIC WIND SPEED = 76 MPH
 - MEAN RECURRENCE INTERVAL (MRI) = 10 YEARS
 - HEIGHT & EXPOSURE FACTOR = 1.00
 - DIRECTIONALITY FACTOR = 0.85
 - GUST EFFECT FACTOR = 1.14
- WIND LOAD CASES:**
- WL CASE 1: 1.0 X NORMAL WIND
 - WL CASE 2: 1.0 X TRANSVERSE WIND
 - WL CASE 3: 0.75 X NORMAL WIND + 0.75 X TRANSVERSE WIND

LOAD COMBINATIONS:

LOAD COMBINATION	TYPE	DL FACTOR	WL FACTOR
STRENGTH I	GRAVITY	1.25	-
EXTREME I	WIND	1.10	1.0
		0.9	1.0
SERVICE I	DEFLECTION	1.0	1.0

FOUNDATION DESIGN DATA

THE FOUNDATION DESIGN ASSUMED COHESIONLESS SOILS (LOOSE SAND) ABOVE THE WATER TABLE WITH THE FOLLOWING PROPERTIES:

- SOIL UNIT WEIGHT = 115 PCF
- ANGLE OF INTERNAL FRICTION = 24 DEGREES
- SOIL MODULUS PARAMETER = 25 LB/IN³

NO.	DATE	REVISION	BY
STATE OF WISCONSIN DEPARTMENT OF TRANSPORTATION STRUCTURES DESIGN SECTION			
STRUCTURE BTO TYPE I SIGNS			
DRAWN BY		PLANS CK'D.	
CONNECTION & FOUNDATION DETAILS 2 OF 2		SHEET A3-1.20	