

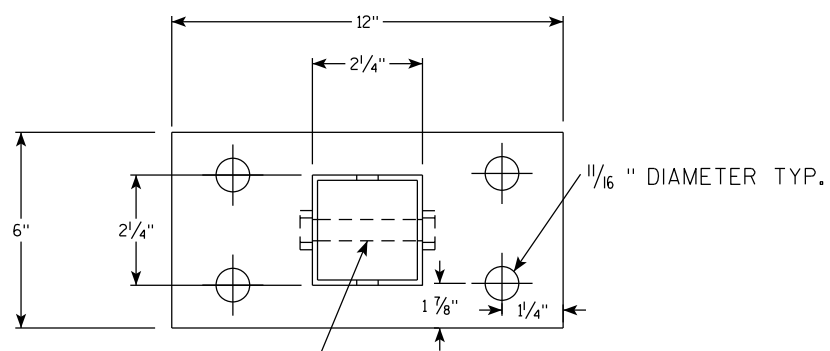
TYPICAL BARRIER WALL SIGN PLACEMENT DETAILS

NOTES

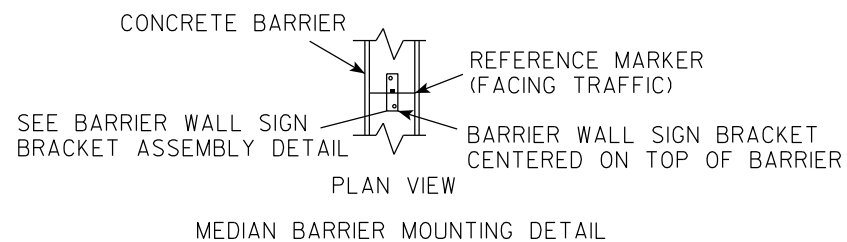
- 1) ALL MATERIAL TO BE APPROVED BY ENGINEER BEFORE INSTALLATION
- 2) SEE SIGN PLATE A4-8 FOR SIGN HARDWARE REQUIREMENTS.

TYPICAL REFERENCE MARKER MOUNTING DETAILS

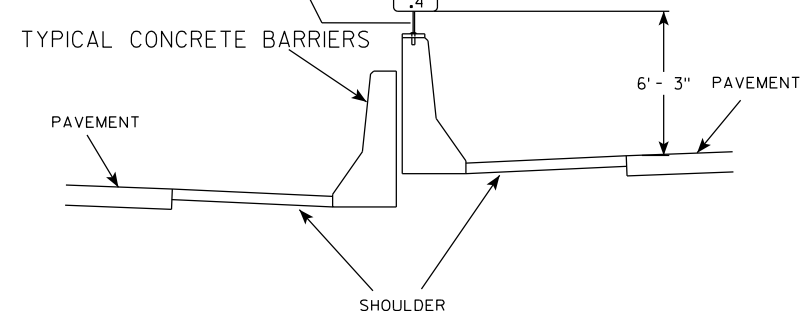
BARRIER WALL SIGN BRACKET ASSEMBLY NOT TO SCALE



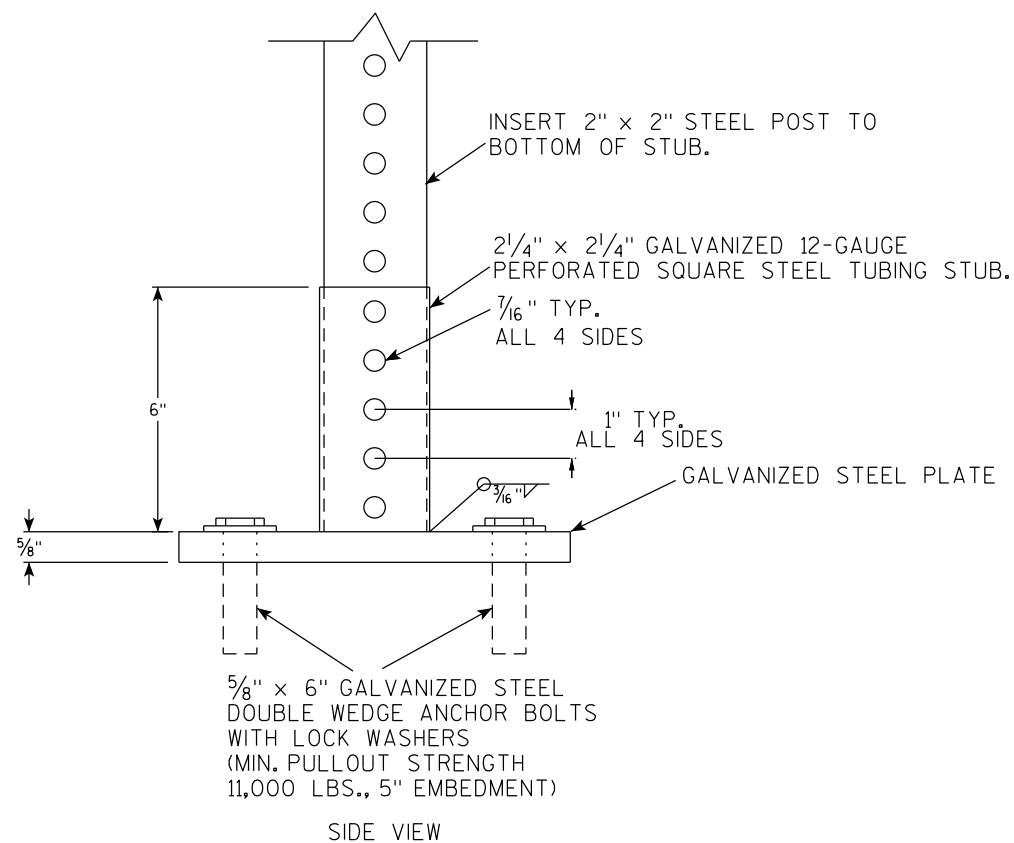
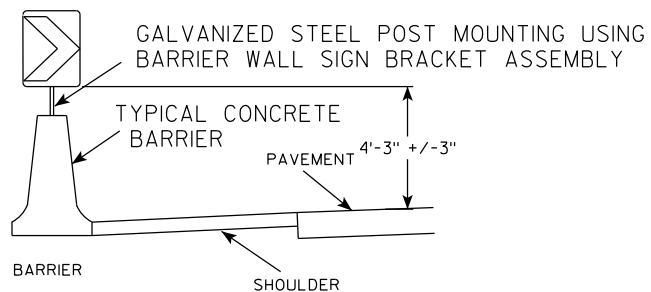
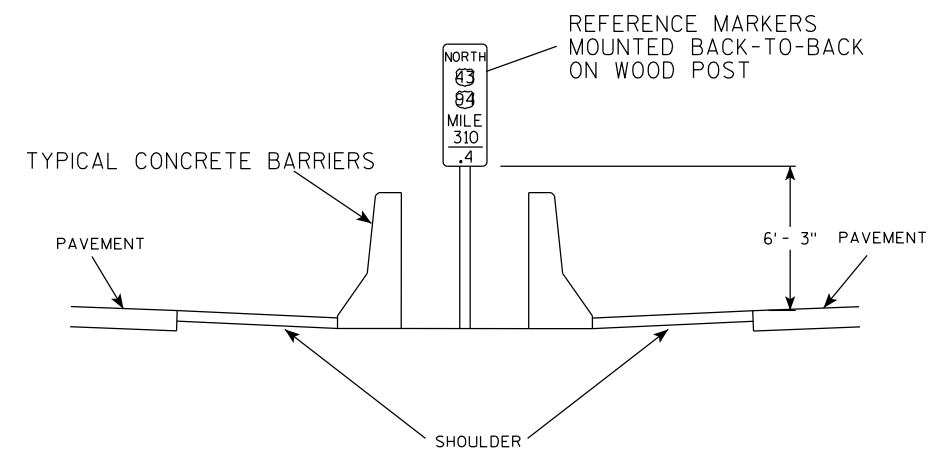
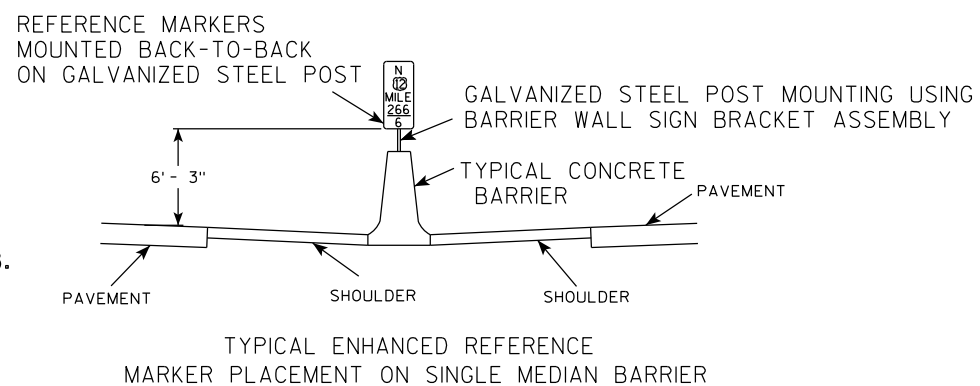
3 1/2" x 3/8" GALVANIZED STEEL BOLT & HARDWARE
PLAN VIEW



GALVANIZED STEEL POST MOUNTING USING BARRIER WALL SIGN BRACKET ASSEMBLY
REFERENCE MARKERS MOUNTED BACK-TO-BACK ON GALVANIZED STEEL POST



TYPICAL ENHANCED REFERENCE MARKER PLACEMENT ON DOUBLE MEDIAN BARRIER



7

7

SIGN MOUNTING ON BARRIER WALL

WISCONSIN DEPT OF TRANSPORTATION

APPROVED *Matthew R Rauch*
for State Traffic Engineer

DATE 5/13/2020 PLATE NO. A4-10.5

PROJECT NO:

HWY:

COUNTY:

SHEET NO:

E