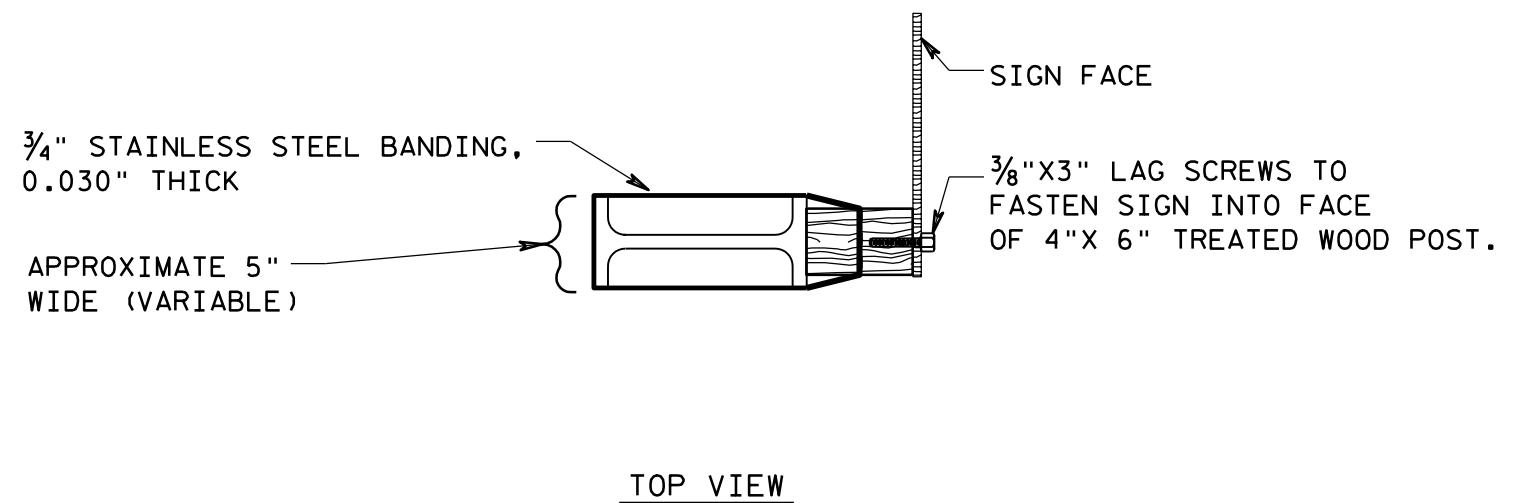
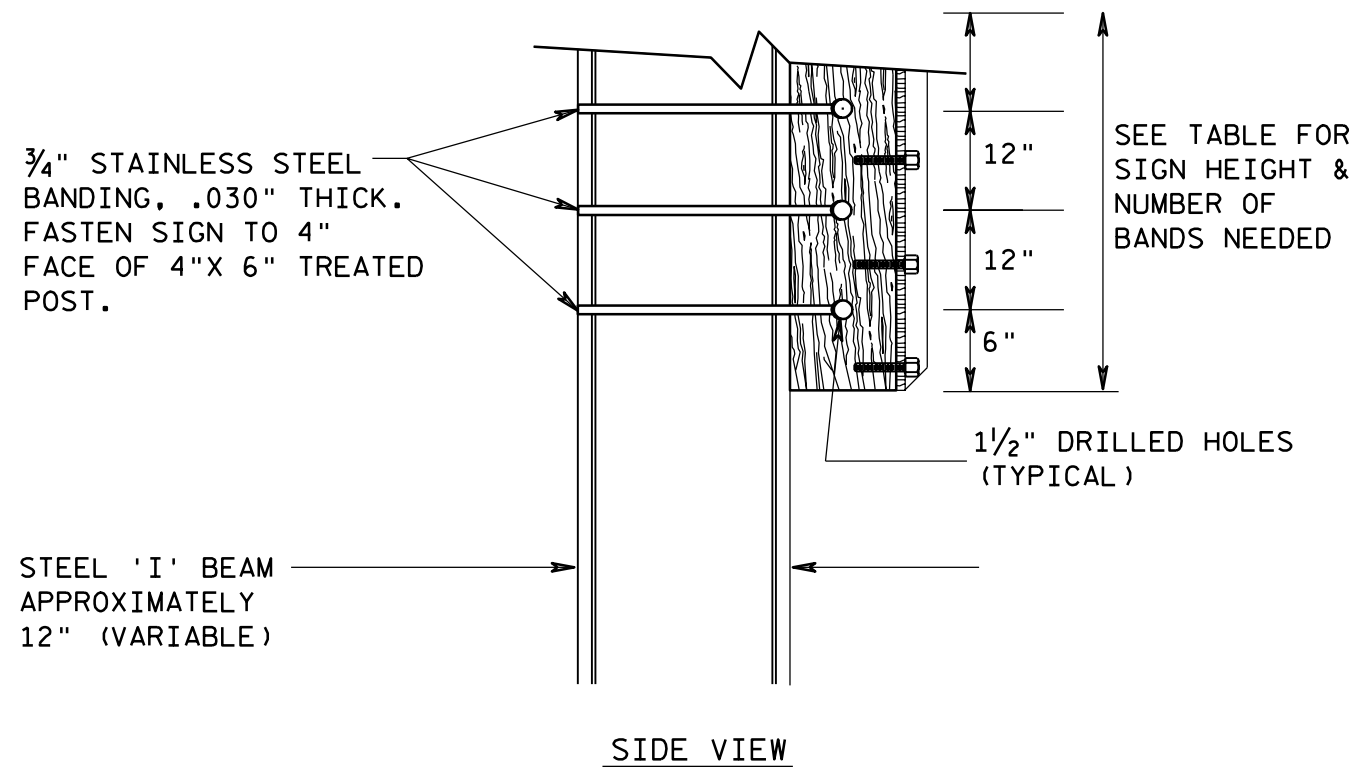


TYPE II SIGN MOUNTING ON STEEL I BEAMS

SIGN HEIGHT	NUMBER OF BANDS
24"	2
30"	2
36"	3
42"	3
48"	4
54"	4

SIGN HEIGHT	NUMBER OF BANDS
60"	5
66"	5
72"	6
78"	6
84"	7
90"	7



7

7

TYPE II SIGN MOUNTING	
WISCONSIN DEPT OF TRANSPORTATION	
APPROVED	<i>Matthew R Rauch</i> for State Traffic Engineer
DATE 1/24/07	PLATE NO. A5-8.1