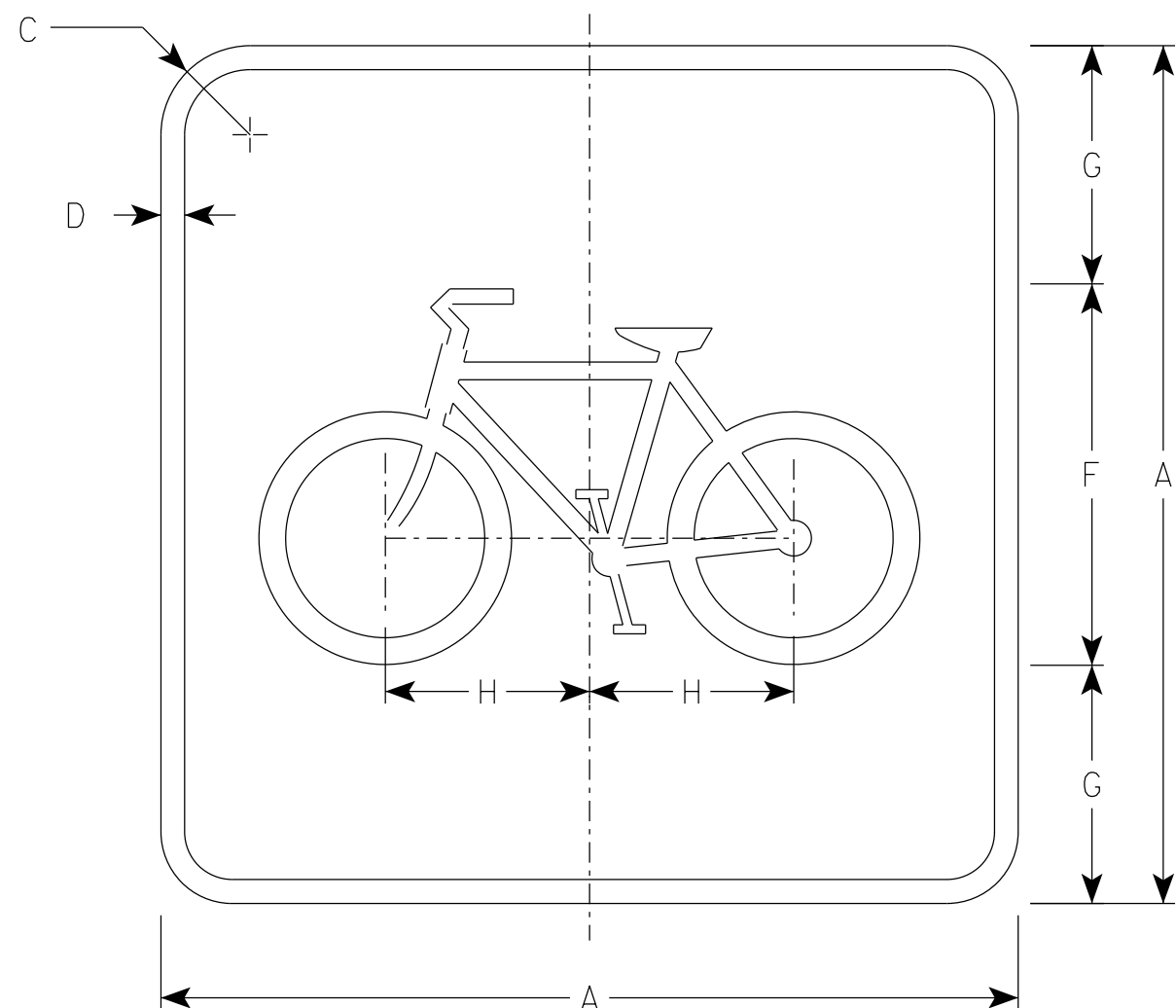


NOTES

1. Sign is Type II - Type H Reflective
2. Color:  
     Background - GREEN  
     Message - WHITE



\* See W11-1 for symbol design

D11-1A

SIZE	A	B	C	D	E	F	G	H	I	J	K	L	M	N	O	P	Q	R	S	T	U	V	W	X	Y	Z	Area sq. ft.
1																											
2S	18		1 1/2	1/2		8	5	4 1/4																			2.25
2M	18		1 1/2	1/2		8	5	4 1/4																			2.25
3																											
4																											
5																											

STANDARD SIGN  
D11-1A

WISCONSIN DEPT OF TRANSPORTATION

APPROVED *Matthew R. Rauch*  
for State Traffic Engineer

DATE 3/16/2021 PLATE NO. D11-1A.2

7

7