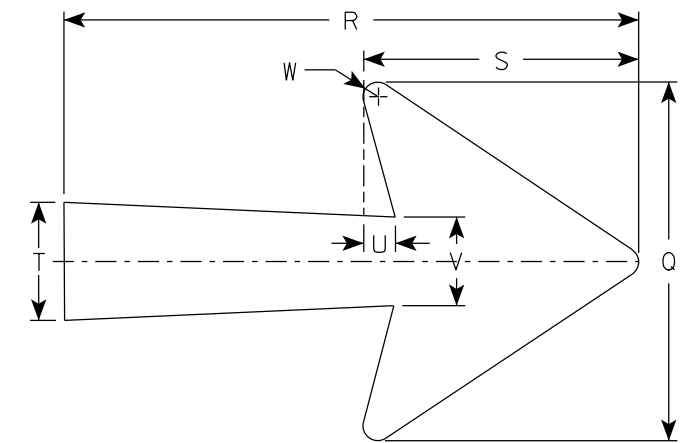
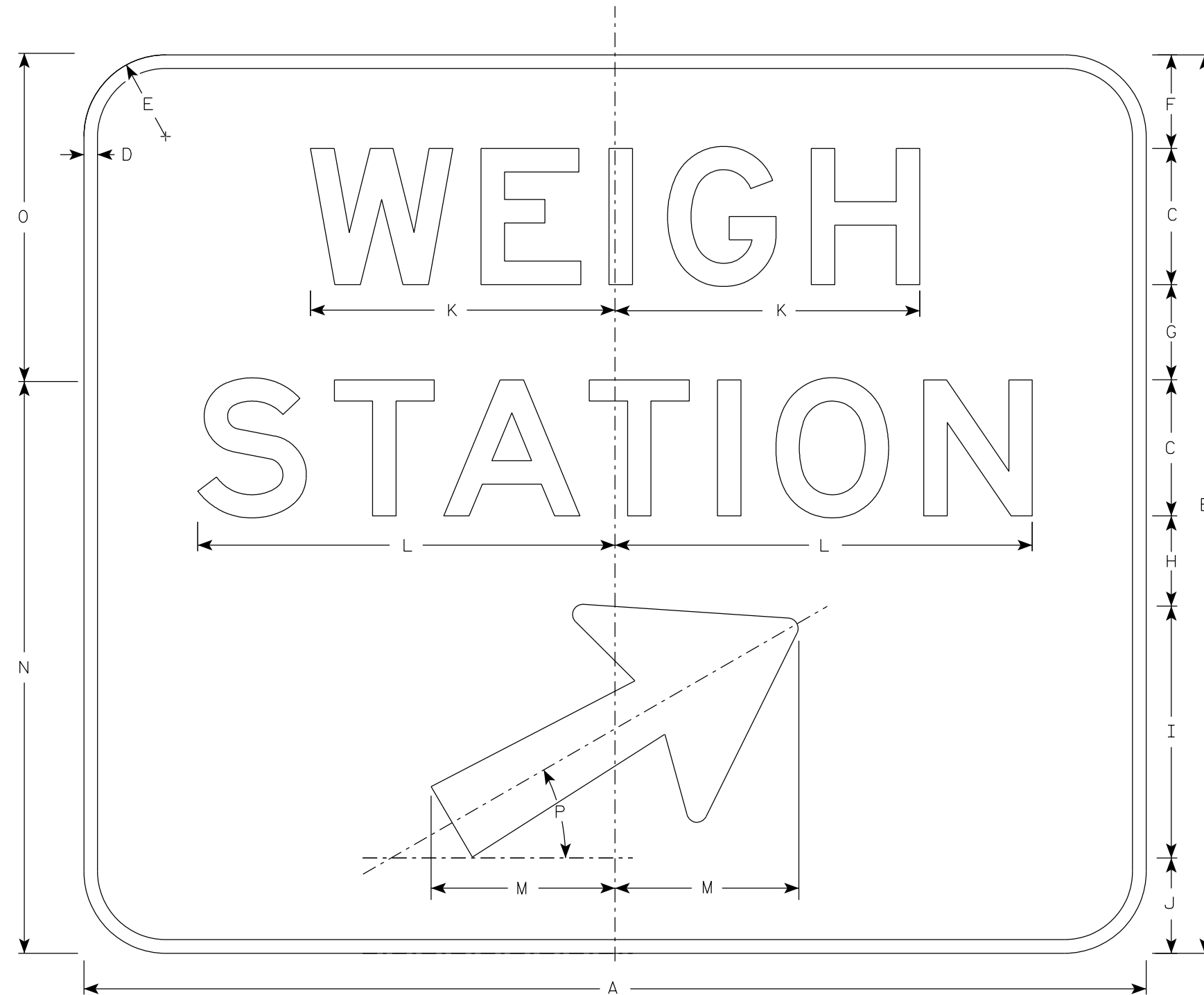


NOTES

1. Sign is Type II - Type H Reflective
2. Color:
Background - Green
Message - White
3. Message Series - E
4. Arrow is Type A as per A1-1 standard
5. Dimensions N & O Indicate cutting lines for panels
6. E5-58L is the same as E5-58R except the arrow is reversed.



Arrow Detail

E5-58R

SIZE	A	B	C	D	E	F	G	H	I	J	K	L	M	N	O	P	Q	R	S	T	U	V	W	X	Y	Z	Area sq. ft.
1																											
2																											
3																											
4	78	66	10	1	6	7	7	6 1/2	18 1/2	7	22 3/8	30 5/8	13 1/2	42	24	30°	18 1/4	29 1/4	14	6	1 1/2	4 1/2	3/4				35.75
5	90	72	12	1	9	7 1/4	7	8	18 1/2	7 1/4	26 7/8	36 3/4	13 1/2	48	24	30°	18 1/4	29 1/4	14	6	1 1/2	4 1/2	3/4				45.0

STANDARD SIGN
E5-58

WISCONSIN DEPT OF TRANSPORTATION

APPROVED *Matthew R. Rauch*
For State Traffic Engineer

DATE 9/23/2021 PLATE NO. E5-58.2