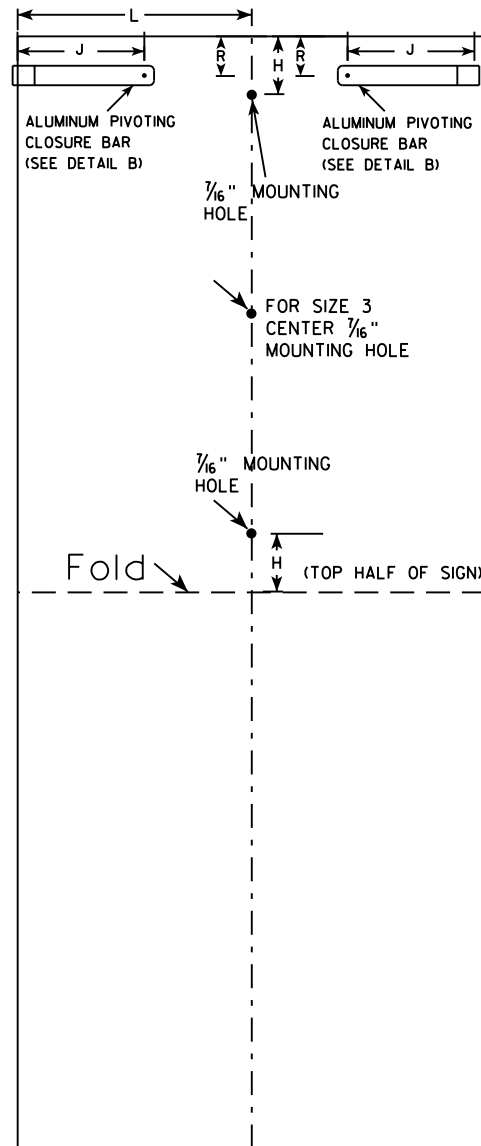
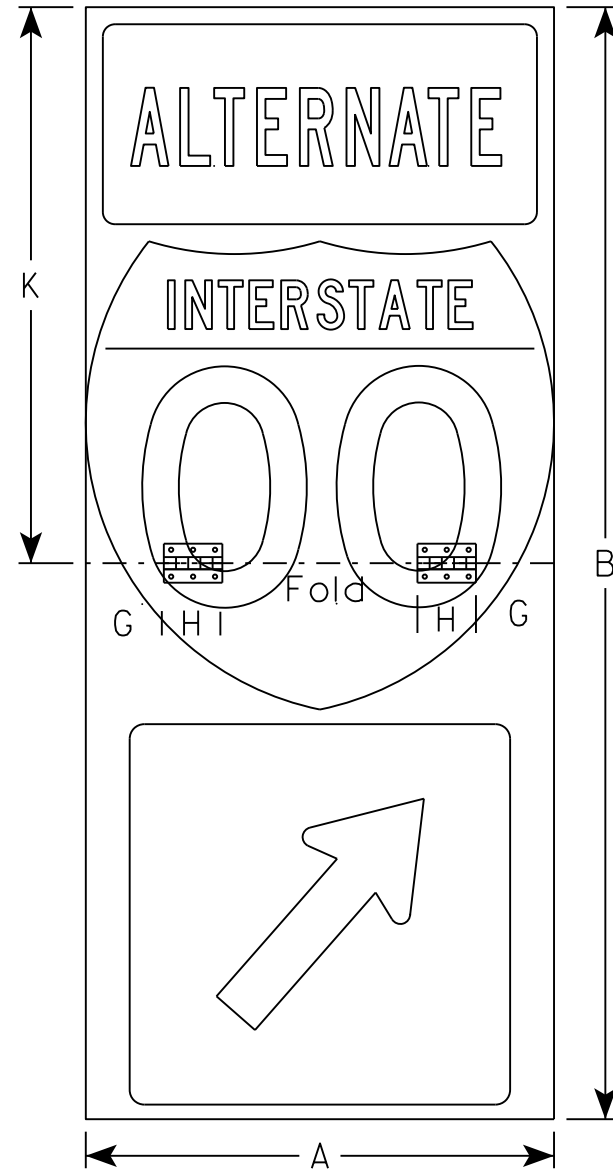
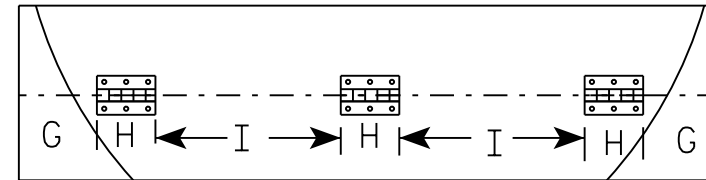


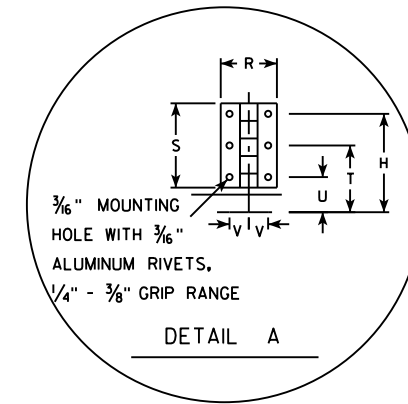
SIZE	Area sq. ft.
1	
2	6.0
3	13.5



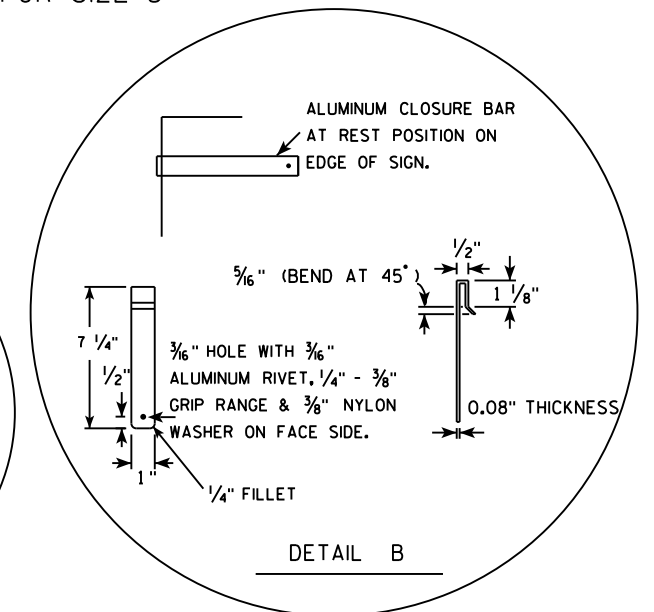
(BACK VIEW)



HINGE PLACEMENT FOR SIZE 3



DETAIL A



DETAIL B

NOTES

1. Sign is Type II - Type H Reflective
2. Color:
Background - *
Message - *
3. Message Series - C
4. Sign Base Material shall be aluminum and borders shall be rounded.
5. All hardware used on the folding sign installation shall conform to 637.2.4 of the WIS DOT Standard Specification.
6. Size 3 shall have 3 hinges see detail below
* See Appropriate Route Shield, Cardinals, Arrow, and A2-IS Sign Plates.

7

7

SIZE	A	B	C	D	E	F	G	H	I	J	K	L	M	N	O	P	Q	R	S	T	U	V	W	X	Y	Z	Area sq. ft.
1																											
2	24	57	36				4	3		6 1/2	28 1/2	12	18					2	3	2 5/8	1 1/4	11/16				9.5	
3	36	84	54				4	3	9 1/2	6 1/2	40 1/2	18	27					2	3	2 5/8	1 1/4	11/16				21.0	
4																											
5																											

STANDARD SIGN
JV-F

WISCONSIN DEPT OF TRANSPORTATION

APPROVED *Matthew R. Rauch*
For State Traffic Engineer

DATE 2/23/17 PLATE NO. JV-F.3

PROJECT NO: _____ HWY: _____ COUNTY: _____ SHEET NO: _____ E