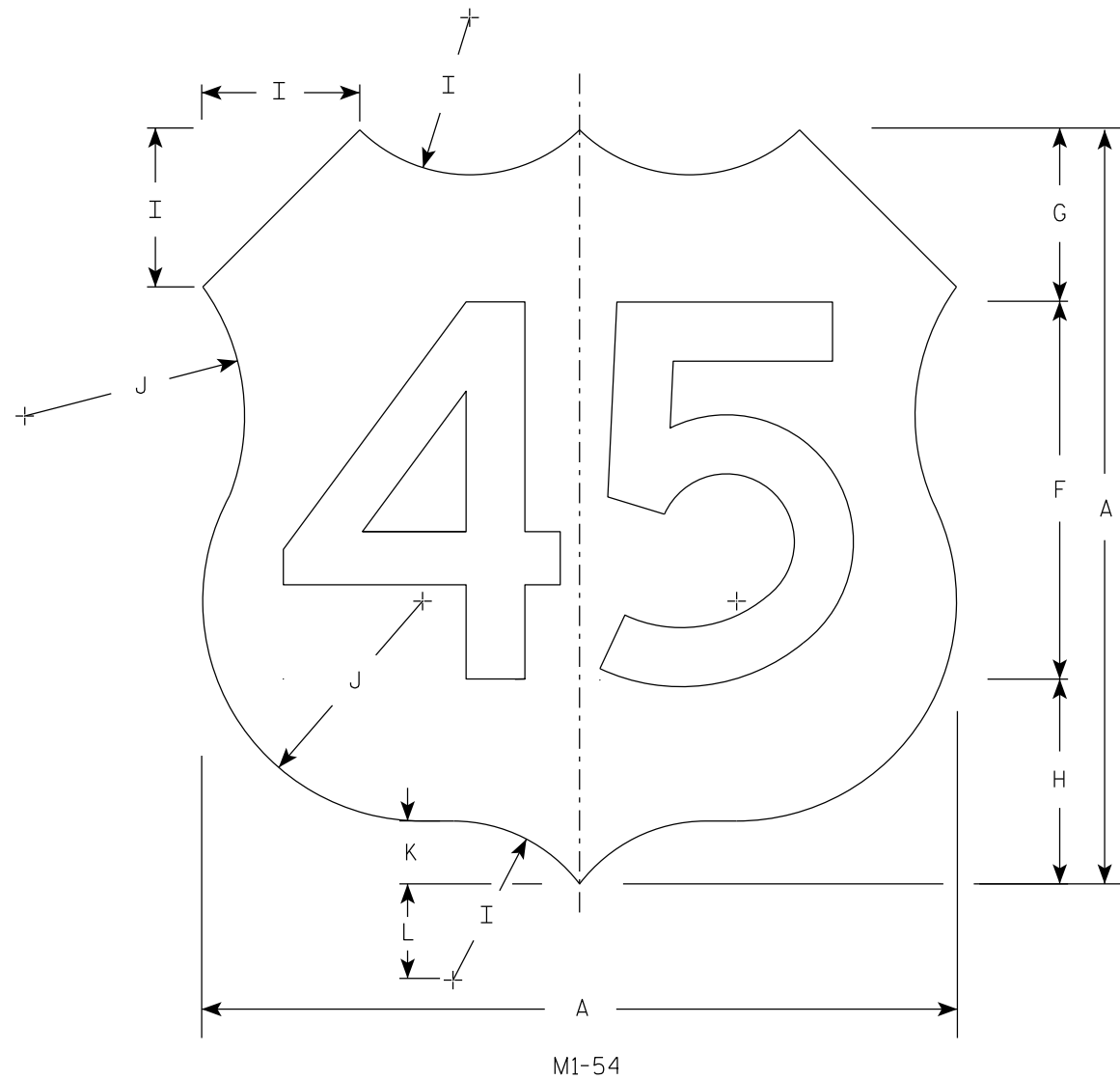
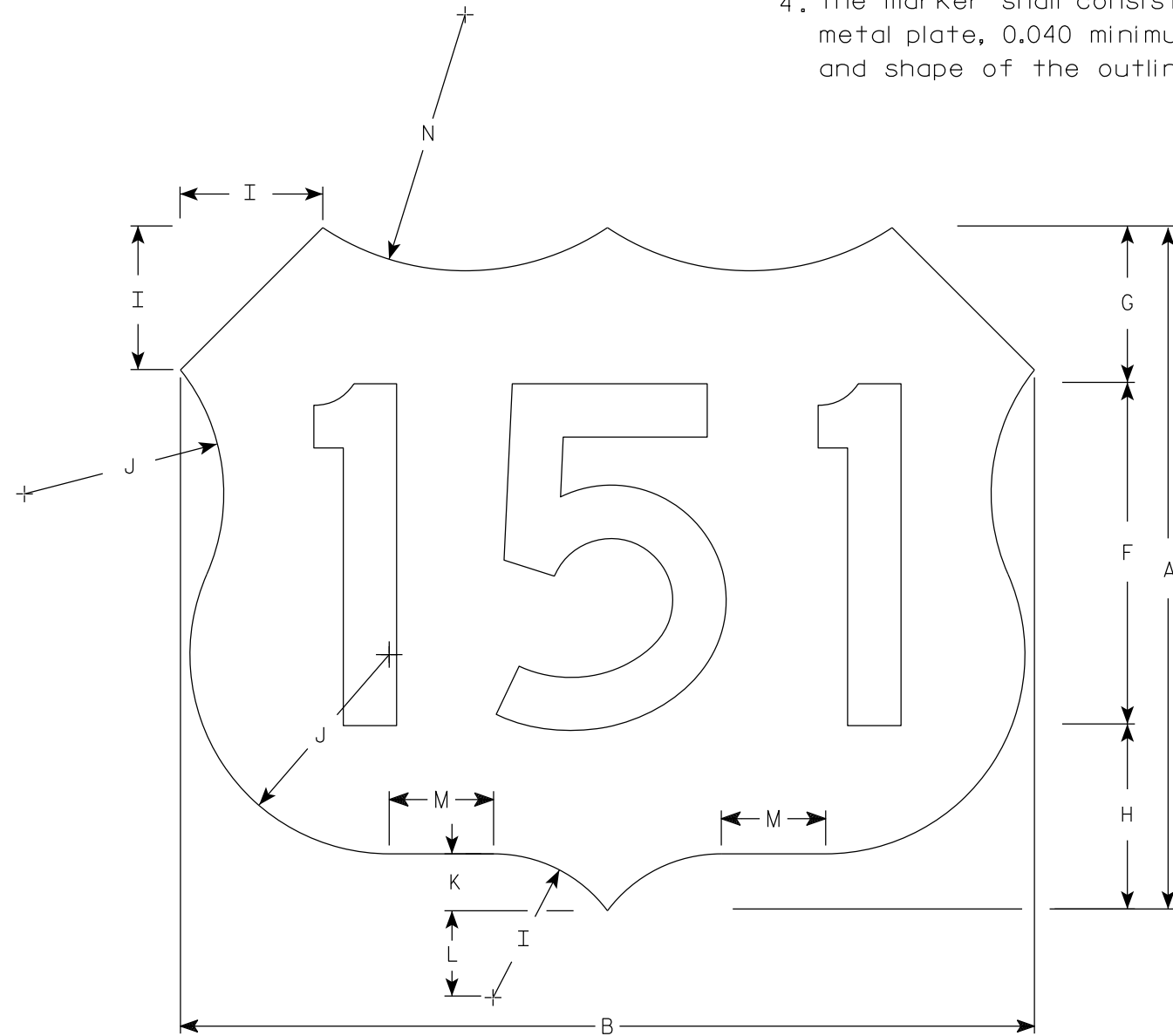


NOTES

1. Sign is Type II - Type SH Reflective
2. Color:
Background - White
Message - Black
3. Message Series - D
4. The marker shall consist of a non-corrosive metal plate, 0.040 minimum thickness, of the size and shape of the outline.



M1-54



M1-54A

SIZE	A	B	C	D	E	F	G	H	I	J	K	L	M	N	O	P	Q	R	S	T	U	V	W	X	Y	Z	M1-54 Areg. sq. ft.	M1-54A Areg. sq. ft.
1																												
2S	24	30				12	5 1/2	6 1/2	5	7	2	3	3 5/8	9													4.65	8.54
2M	24	30				12	5 1/2	6 1/2	5	7	2	3	3 5/8	9													4.65	8.54
3	24	30				12	5 1/2	6 1/2	5	7	2	3	3 5/8	9													4.65	8.54
4	36	45				18	8 1/4	9 3/4	7 1/2	10 1/2	3	4 1/2	5 1/2	13 1/2													6.97	11.99
5	36	45				18	8 1/4	9 3/4	7 1/2	10 1/2	3	4 1/2	5 1/2	13 1/2													6.97	11.99

USH MARKER M1-54
FOR GUIDE SIGNS

WISCONSIN DEPT OF TRANSPORTATION

APPROVED *Matthew R. Rauch*
For State Traffic Engineer

DATE 12/21/22 PLATE NO. M1-54.14

PROJECT NO: _____ HWY: _____ COUNTY: _____ SHEET NO: **E**