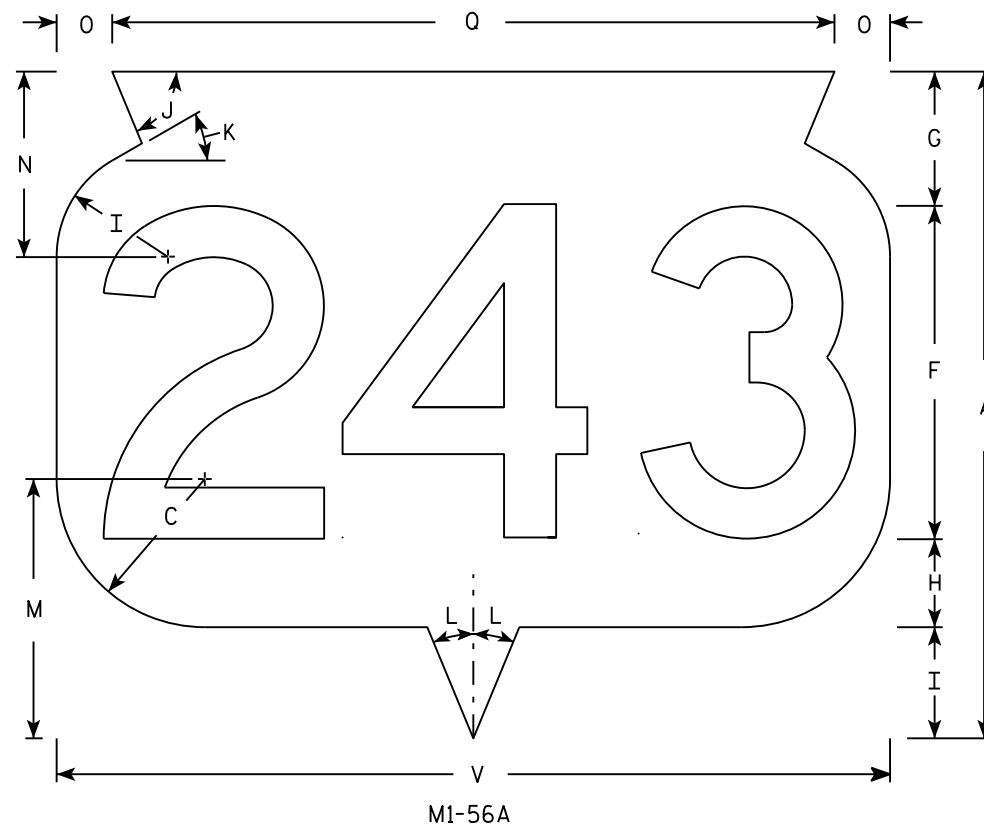
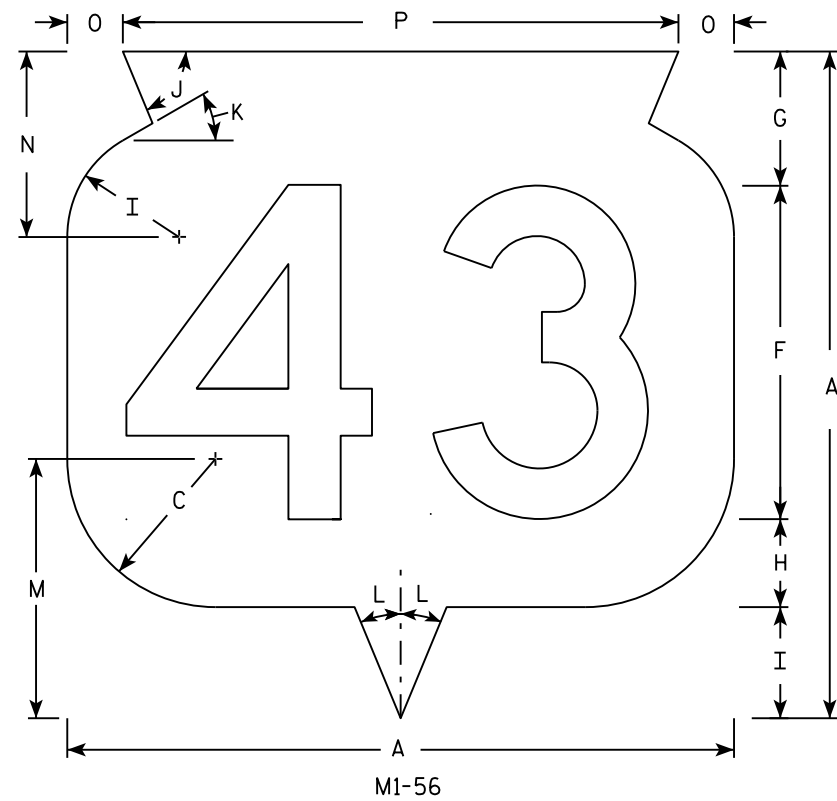


NOTES

1. Sign is Type II - Type SH Reflective
2. Color:
Background - White
Message - Black
3. Message Series - D
4. The marker shall consist of a non-corrosive metal plate, 0.040 minimum thickness, of the size and shape of the outline.



SIZE	A	B	C	D	E	F	G	H	I	J	K	L	M	N	O	P	Q	R	S	T	U	V	W	X	Y	Z	M1-56 Area sq. ft.	M1-56A Area sq. ft.
1																												
2																												
3																												
4	24		5 ³ / ₈			12	4 ⁷ / ₈	3 ¹ / ₈	4	67 ¹ / ₂ °	30°	22 ¹ / ₂ °	9 ³ / ₈	6 ⁵ / ₈	2	20	26									4.0	5.0	
5	36		8			18	7 ¹ / ₄	4 ³ / ₄	6	67 ¹ / ₂ °	30°	22 ¹ / ₂ °	14	10	3	30	39									9.0	11.25	

STH MARKER
M1-56 & M1-56A
FOR GUIDE SIGNS

WISCONSIN DEPT OF TRANSPORTATION

APPROVED *Matthew R. Rauch*
For State Traffic Engineer

DATE 3/16/18 PLATE NO. M1-56.10

PROJECT NO: _____ HWY: _____ COUNTY: _____ SHEET NO: **E**