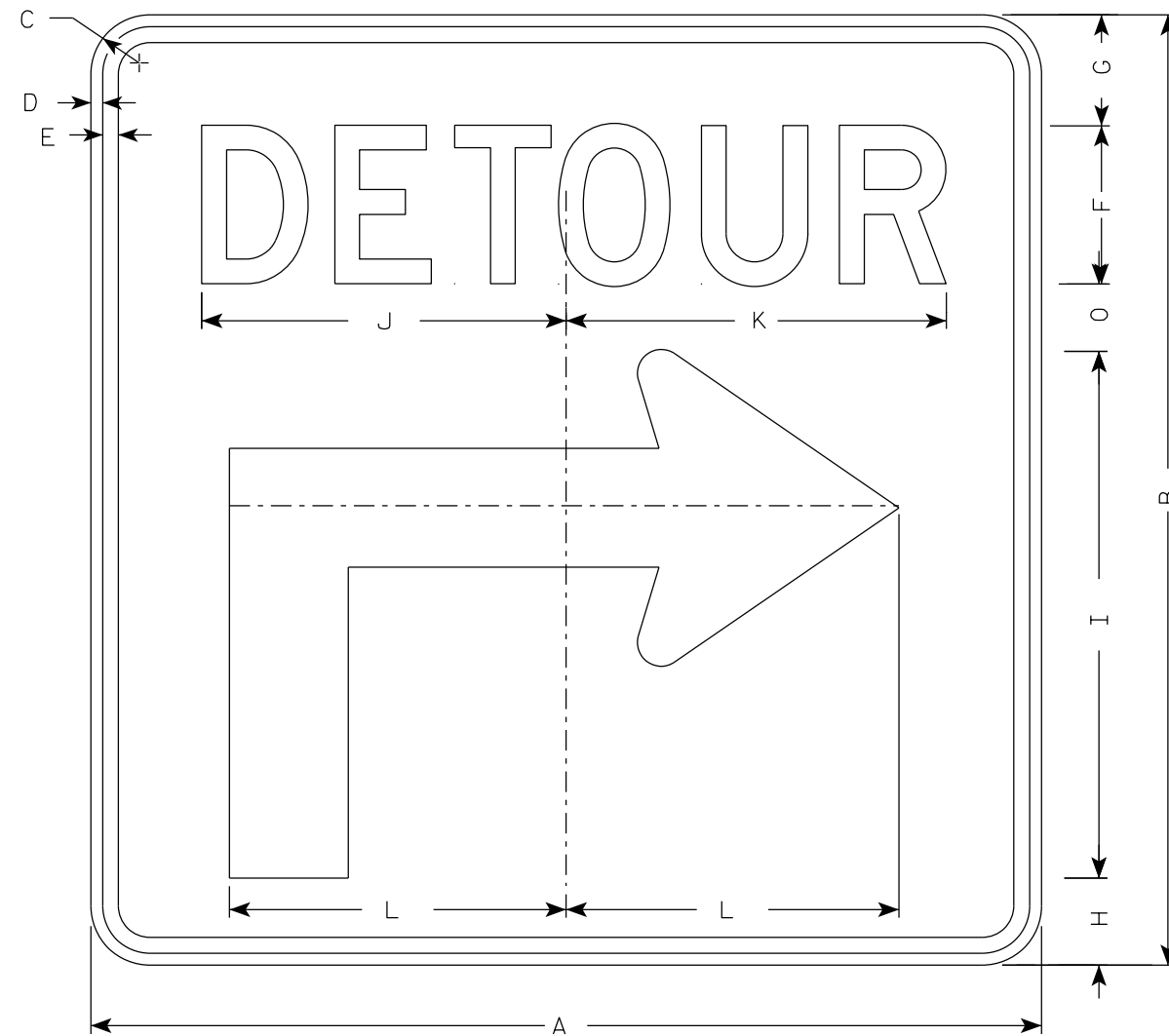
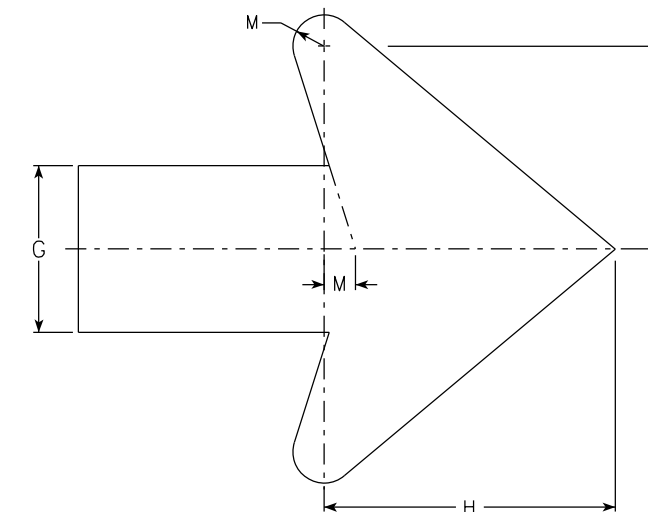


NOTES

1. Sign is Type II - Type F Reflective
2. Color:
Background - Orange
Message - Black
3. Message Series - D
4. Corners may be square or rounded when base material is plywood but borders shall be rounded as shown when base material is metal.
5. M4-59L is the same as M4-59R except the arrow is reversed.



M4-59R



Arrow Detail

SIZE	A	B	C	D	E	F	G	H	I	J	K	L	M	N	O	P	Q	R	S	T	U	V	W	X	Y	Z	Area sq. ft.
1																											
2S	30	30	1 7/8	3/8	1/2	5	3 1/2	2 3/4	16 5/8	11 1/2	12	10 1/2	3/4	4 7/8	2 1/8												6.25
2M	30	30	1 7/8	3/8	1/2	5	3 1/2	2 3/4	16 5/8	11 1/2	12	10 1/2	3/4	4 7/8	2 1/8												6.25
3	30	30	1 7/8	3/8	1/2	5	3 1/2	2 3/4	16 5/8	11 1/2	12	10 1/2	3/4	4 7/8	2 1/8												6.25
4	48	48	2 1/4	1/2	5/8	8	5 5/8	4 3/8	26 5/8	20 5/8	20 1/2	17	1 1/8	6 7/8	3 3/8												16.0
5	48	48	2 1/4	1/2	5/8	8	5 5/8	4 3/8	26 5/8	20 5/8	20 1/2	17	1 1/8	6 7/8	3 3/8												16.0

STANDARD SIGN
M4-59 L&R

WISCONSIN DEPT OF TRANSPORTATION

APPROVED *Matthew R. Rauch*
for State Traffic Engineer

DATE 2/13/2023 PLATE NO. M4-59.2

PROJECT NO: _____ HWY: _____ COUNTY: _____ SHEET NO: **E**

7

7