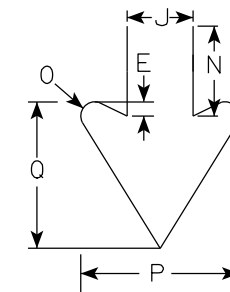
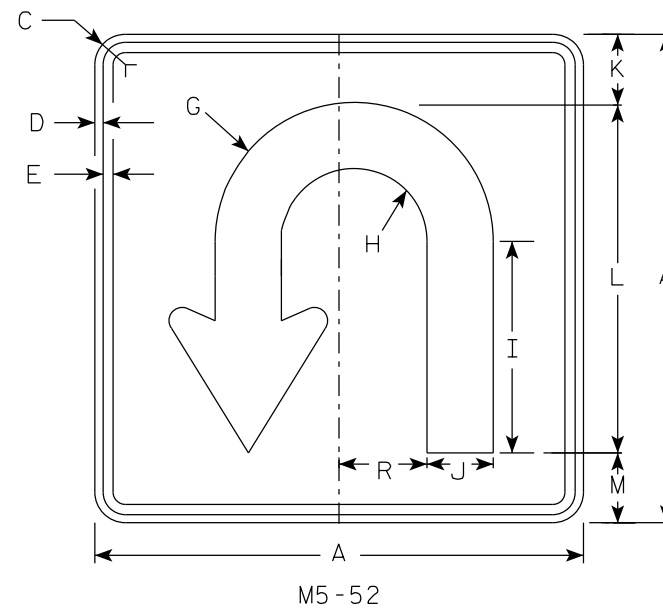
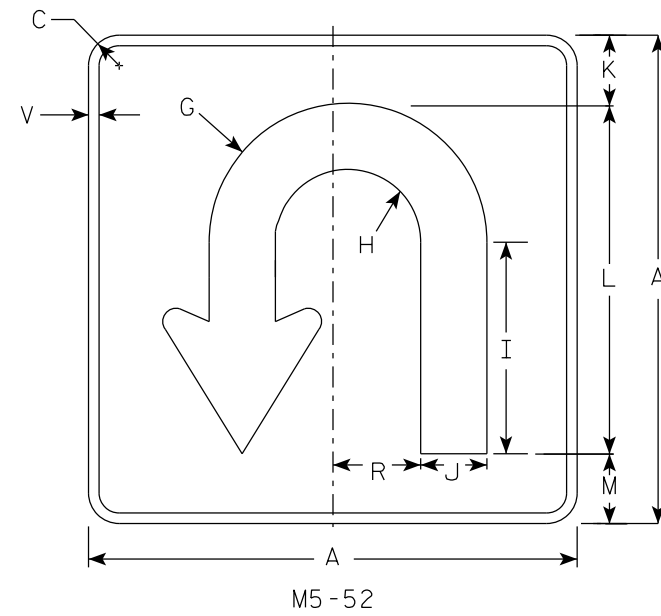


NOTES

1. Signs are Type II - Type H Reflective except as Shown
2. Color:
 - Background - See Note 4
 - Message - See note 4
3. M5-52 Background - White
Message - Black
- MB5-52 Background - Blue
Message - White
- MK5-52 Background - Green
Message - White
- MM5-52 Background - White
Message - Green
- MN5-52 Background - Brown
Message - White
- M05-52 Background - Orange - Type F Reflective
Message - Black
- MP5-52 Background - White
Message - Blue
- MR5-52 Background - Brown
Message - Yellow



SIZE	A	B	C	D	E	F	G	H	I	J	K	L	M	N	O	P	Q	R	S	T	U	V	W	X	Y	Z	Area sq. ft.
1																											
2S	21		1 1/2	3/8	3/8		6	3 1/8	9 1/8	2 7/8	3	15	3	3 7/8	5/8	6 7/8	6 3/4	3 3/4									3.06
2M	21		1 1/2	3/8	3/8		6	3 1/8	9 1/8	2 7/8	3	15	3	3 7/8	5/8	6 7/8	6 3/4	3 3/4									3.06
3	30		1 7/8	1/2	5/8		8 1/2	4 1/2	13	4 1/8	4 3/8	21 3/8	4 1/4	5 1/2	7/8	9 3/4	8 1/8	5 1/4									6.25
4	30		1 7/8	1/2	5/8		8 1/2	4 1/2	13	4 1/8	4 3/8	21 3/8	4 1/4	5 1/2	7/8	9 3/4	8 1/8	5 1/4									6.25
5	30		1 7/8	1/2	5/8		8 1/2	4 1/2	13	4 1/8	4 3/8	21 3/8	4 1/4	5 1/2	7/8	9 3/4	8 1/8	5 1/4									6.25

STANDARD SIGN
M5-52
SERIES

WISCONSIN DEPT OF TRANSPORTATION

APPROVED *Matthew R. Rauch*
For State Traffic Engineer

DATE 2/13/2023 PLATE NO. M5-52.2