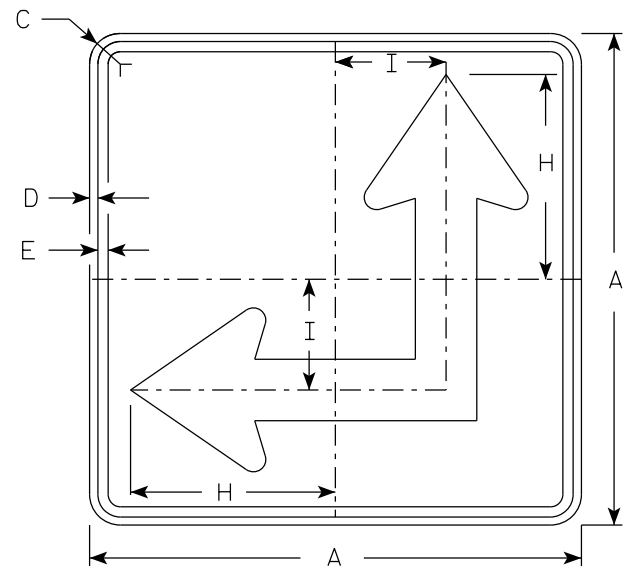
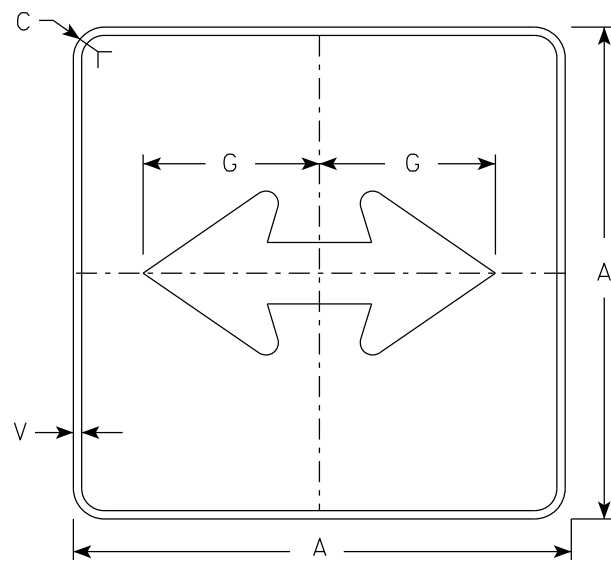


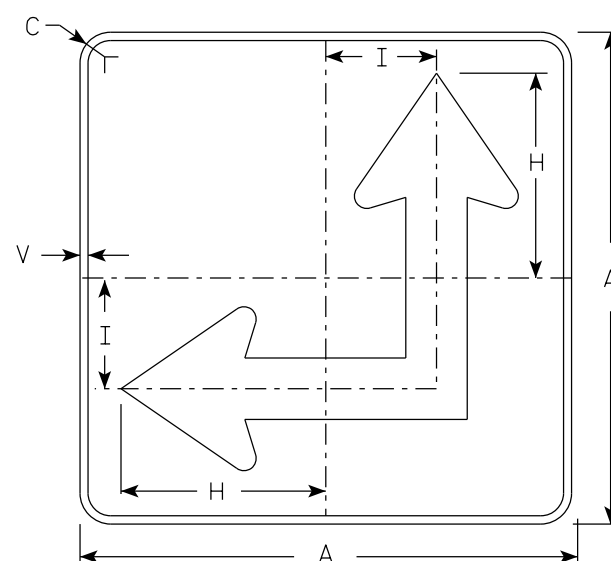
M6-4
MM6-4
M06-4
MP6-4



M6-6
MM6-6
M06-6
MP6-6



MB6-4
MK6-4
MN6-4
MR6-4

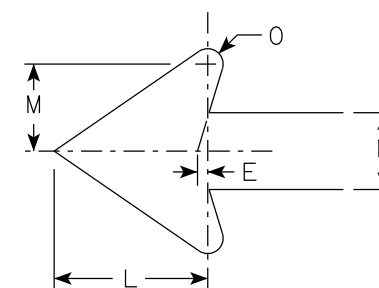


MB6-6
MK6-6
MN6-6
MR6-6

NOTES

- Signs are Type II - Type H Reflective except as Shown
- Color:
Background - See Note 4
Message - See Note 4
- Corners may be square or rounded when base material is plywood but borders shall be rounded as shown. When base material is metal, the corners and borders shall be rounded.
- M6-4 and M6-6 Background - White
Message - Black
MB6-4 and MB6-6 Background - Blue
Message - White
MK6-4 and MK6-6 Background - Green
Message - White
MM6-4 and MM6-6 Background - White
Message - Green
MN6-4 and MN6-6 Background - Brown
Message - White
M06-4 and M06-6 Background - Orange - Type F Reflective
Message - Black
MP6-4 and MP6-6 Background - White
Message - Blue
MR6-4 and MR6-6 Background - Brown
Message - Yellow
- M6-6R same as M6-6L except arrow points ahead and right.

ARROW DETAIL



SIZE	A	B	C	D	E	F	G	H	I	J	K	L	M	N	O	P	Q	R	S	T	U	V	W	X	Y	Z	Area sq. ft.
1																											
2S	21		1 1/2	3/8	3/8		7 1/2	8 3/4	4 1/4			5 1/4	3	2 5/8	1/2							1/2					3.06
2M	21		1 1/2	3/8	3/8		7 1/2	8 3/4	4 1/4			5 1/4	3	2 5/8	1/2							1/2					3.06
3	30		1 7/8	1/2	5/8		10 3/4	12 1/2	6 3/4			7 1/2	4 1/4	3 3/4	3/4							1/2					6.25
4	30		1 7/8	1/2	5/8		10 3/4	12 1/2	6 3/4			7 1/2	4 1/4	3 3/4	3/4							1/2					6.25
5	30		1 7/8	1/2	5/8		10 3/4	12 1/2	6 3/4			7 1/2	4 1/4	3 3/4	3/4							1/2					6.25

STANDARD SIGN
M6-4 & M6-6
SERIES

WISCONSIN DEPT OF TRANSPORTATION

APPROVED *Matthew R Rauch*
For State Traffic Engineer

DATE 2/13/2023 PLATE NO. M6-4.11

PROJECT NO: _____ HWY: _____ COUNTY: _____ SHEET NO: **E**