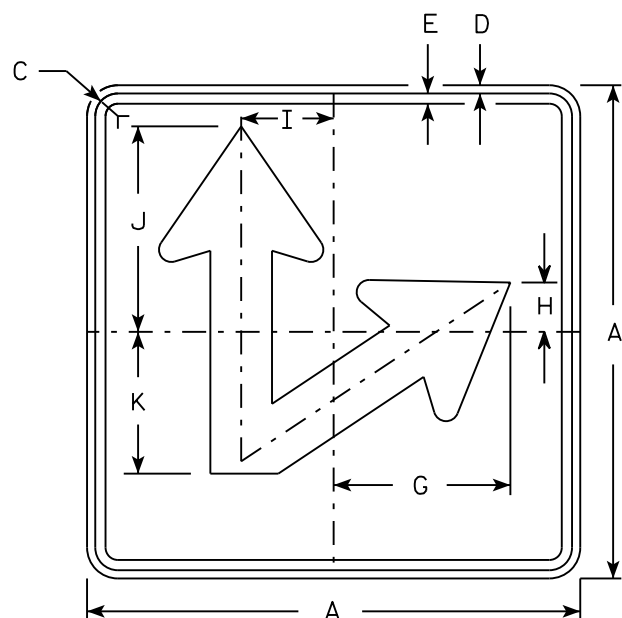
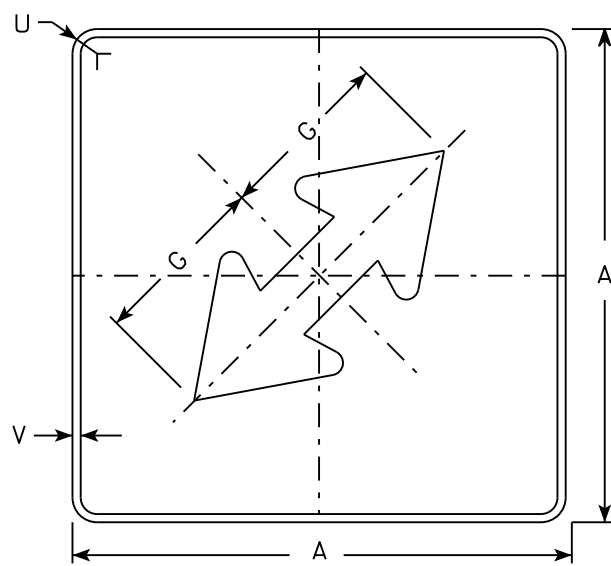


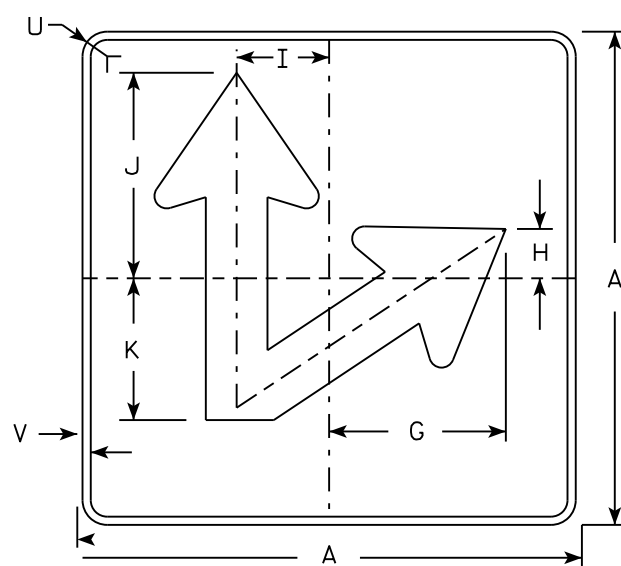
M6-5  
MM6-5  
MO6-5  
MP6-5



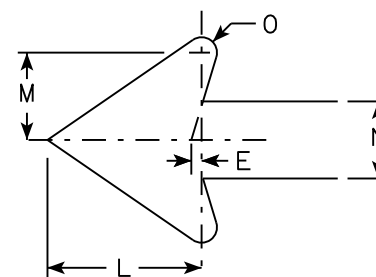
M6-7R  
MM6-7R  
MO6-7R  
MP6-7R



MB6-5  
MK6-5  
MN6-5  
MR6-5



MB6-7R  
MK6-7R  
MN6-7R  
MR6-7R



NOTES

- Sign is Type II - Type H except as Shown
- Color:
  - Background - See note 4
  - Message - See note 4
- Corners may be square or rounded when base material is plywood but borders shall be rounded as shown. When base material is metal, the corners and borders shall be rounded.
- |                 |   |
|-----------------|---|
| M6-5 and M6-7   | Background - White                      |
|                 | Message - Black                         |
| MB6-5 and MB6-7 | Background - Blue                       |
|                 | Message - White                         |
| MK6-5 and MK6-7 | Background - Green                      |
|                 | Message - White                         |
| MM6-5 and MM6-7 | Background - White                      |
|                 | Message - Green                         |
| MN6-5 and MN6-7 | Background - Brown                      |
|                 | Message - White                         |
| MO6-5 and MO6-7 | Background - Orange - Type F Reflective |
|                 | Message - Black                         |
| MP6-5 and MP6-7 | Background - White                      |
|                 | Message - Blue                          |
| MR6-5 and MR6-7 | Background - Brown                      |
|                 | Message - Yellow                        |
- M6-7L same as M6-7R except arrow points ahead and left.

7

SIZE	A	B	C	D	E	F	G	H	I	J	K	L	M	N	O	P	Q	R	S	T	U	V	W	X	Y	Z	Area sq. ft.
1																											
2	21		1 1/8	3/8	3/8		7 1/2	2 1/8	4 1/4	8 3/4	6	5 1/4	3	2 5/8	1/2						1 1/2	1/2					3.06
3	30		1 3/8	1/2	5/8		10 3/4	3	6 3/4	12 1/2	8 5/8	7 1/2	4 1/4	3 3/4	3/4						1 7/8	1/2					6.25
4	30		1 3/8	1/2	5/8		10 3/4	3	6 3/4	12 1/2	8 5/8	7 1/2	4 1/4	3 3/4	3/4						1 7/8	1/2					6.25
5	30		1 3/8	1/2	5/8		10 3/4	3	6 3/4	12 1/2	8 5/8	7 1/2	4 1/4	3 3/4	3/4						1 7/8	1/2					6.25

STANDARD SIGN  
M6-5 & M6-7  
SERIES

WISCONSIN DEPT OF TRANSPORTATION

APPROVED *Matthew R. Rauch*  
for State Traffic Engineer

DATE 10/15/15 PLATE NO. M6-7.9