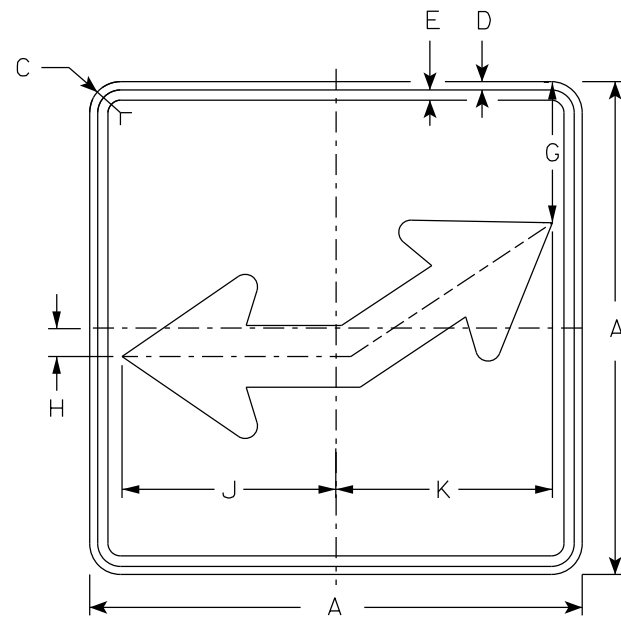
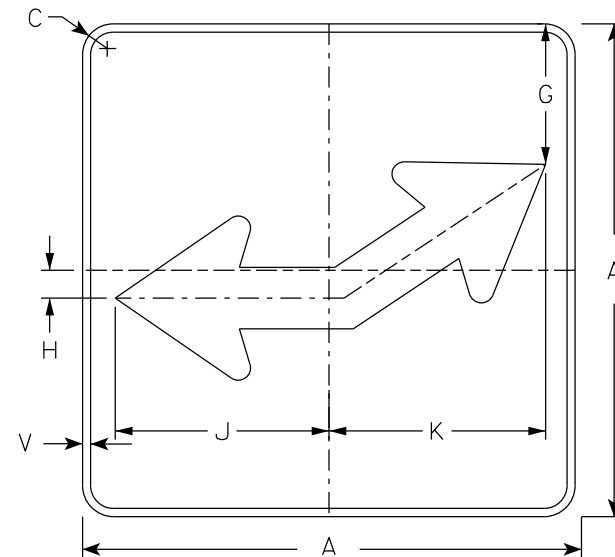


NOTES

- Sign is Type II - Type H Reflective except as Shown
- Color:
 - M6-50 Background - White
Message - Black
 - MB6-50 Background - Blue
Message - White
 - MK6-50 Background - Green
Message - White
 - MM6-50 Background - White
Message - Green
 - MN6-50 Background - Brown
Message - White
 - M06-50 Background - Orange - Type F Reflective
Message - Black
 - MP6-50 Background - White
Message - Blue
 - MR6-50 Background - Brown
Message - Yellow
- M6-50L same as M6-50R except arrow points ahead and left.

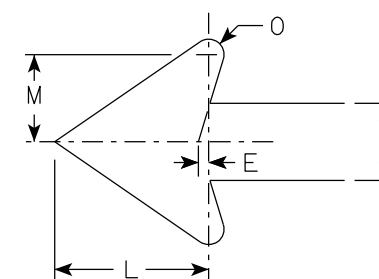


M6-50R
MM6-50R
M06-50R
MP6-50R



MB6-50R
MK6-50R
MN6-50R
MR6-50R

ARROW DETAIL



| SIZE | A | B | C | D | E | F | G | H | I | J | K | L | M | N | O | P | Q | R | S | T | U | V | W | X | Y | Z | Area sq. ft. |
|------|----|---|-------|-----|-----|---|-------|-------|---|-------|--------|-------|-------|-------|-----|---|---|---|---|---|---|---|---|---|---|---|-----------------|
| 1 | | | | | | | | | | | | | | | | | | | | | | | | | | | |
| 2S | 21 | | 1 1/2 | 3/8 | 3/8 | | 6 | 1 1/4 | | 9 1/8 | 9 1/4 | 5 1/4 | 3 | 2 5/8 | 1/2 | | | | | | | | | | | | 3.06 |
| 2M | 21 | | 1 1/2 | 3/8 | 3/8 | | 6 | 1 1/4 | | 9 1/8 | 9 1/4 | 5 1/4 | 3 | 2 5/8 | 1/2 | | | | | | | | | | | | 3.06 |
| 3 | 30 | | 1 7/8 | 1/2 | 5/8 | | 8 1/2 | 1 3/4 | | 13 | 13 1/4 | 7 1/2 | 4 1/4 | 3 3/4 | 3/4 | | | | | | | | | | | | 6.25 |
| 4 | 30 | | 1 7/8 | 1/2 | 5/8 | | 8 1/2 | 1 3/4 | | 13 | 13 1/4 | 7 1/2 | 4 1/4 | 3 3/4 | 3/4 | | | | | | | | | | | | 6.25 |
| 5 | 30 | | 1 7/8 | 1/2 | 5/8 | | 8 1/2 | 1 3/4 | | 13 | 13 1/4 | 7 1/2 | 4 1/4 | 3 3/4 | 3/4 | | | | | | | | | | | | 6.25 |

STANDARD SIGN
M6-50
SERIES

WISCONSIN DEPT OF TRANSPORTATION

APPROVED *Matthew R. Rauch*
for State Traffic Engineer

DATE 2/13/2023 PLATE NO. M6-50.2

PROJECT NO: _____ HWY: _____ COUNTY: _____ SHEET NO: **E**