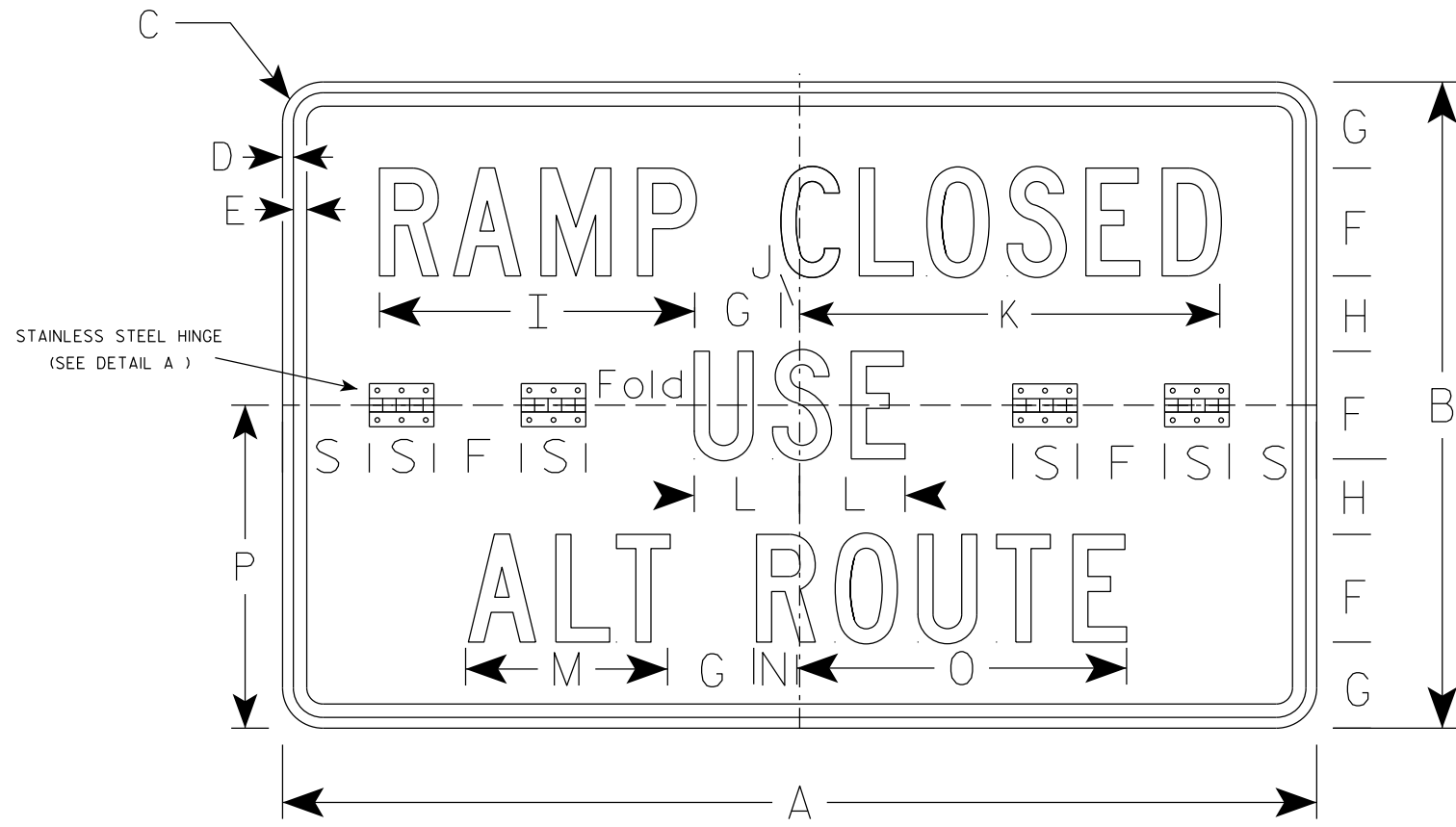
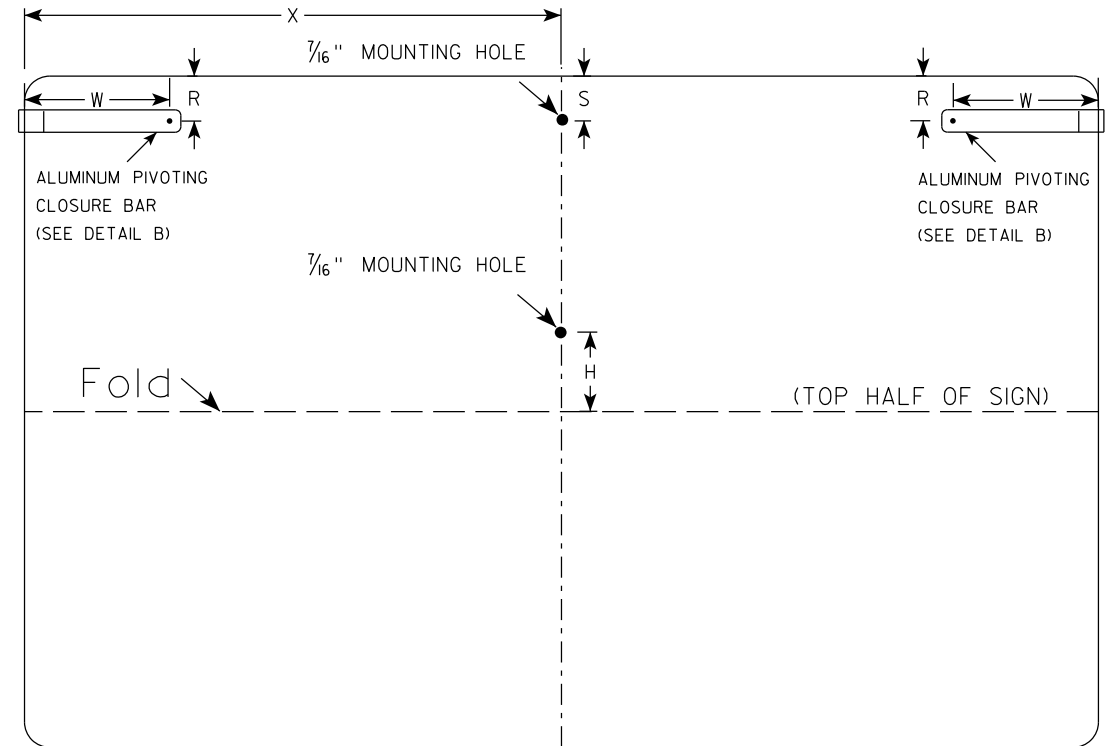
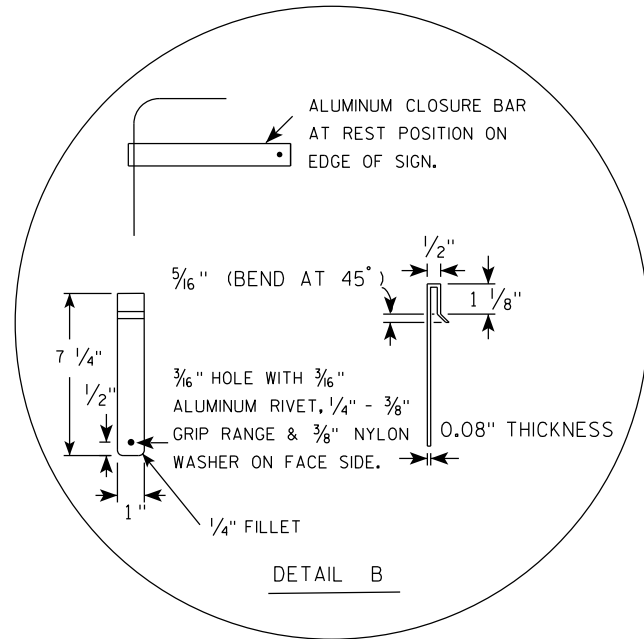
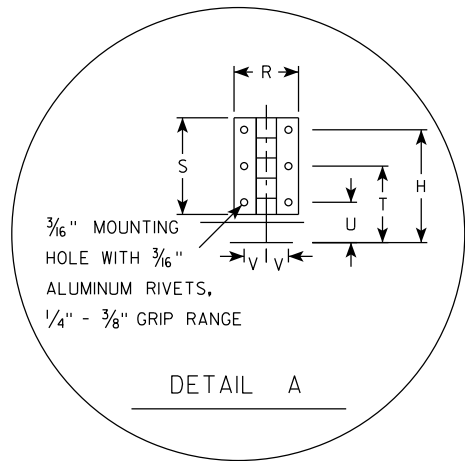


NOTES

1. Sign is Type II - Type H Reflective
2. Color:
Background - White
Message - Black
3. Message Series - C
4. Sign Base Material shall be aluminum, corners and borders shall be rounded.
5. All hardware used on the folding sign installation shall conform to 637.2.4 of the WIS DOT Standard Specification.
6. Refer to plate A5-3A for sign blank layout.



R11-54F



SIZE	A	B	C	D	E	F	G	H	I	J	K	L	M	N	O	P	Q	R	S	T	U	V	W	X	Y	Z	Area sq. ft.
1																											
2S	48	30	1 7/8	1/2	5/8	5	4	3 1/2	14 5/8	7/8	19 1/2	4 7/8	9 3/8	2	15 1/4	15		2	3	2 5/8	1 1/4	1/16	6 1/2	24			10.0
2M	48	30	1 7/8	1/2	5/8	5	4	3 1/2	14 5/8	7/8	19 1/2	4 7/8	9 3/8	2	15 1/4	15		2	3	2 5/8	1 1/4	1/16	6 1/2	24			10.0
3																											
4																											
5																											

STANDARD SIGN
R11-54F

WISCONSIN DEPT OF TRANSPORTATION

APPROVED *Matthew R. Rauch*
for State Traffic Engineer

DATE 2/8/24 PLATE NO. R11-54F.4

PROJECT NO:

HWY:

COUNTY:

SHEET NO:

E