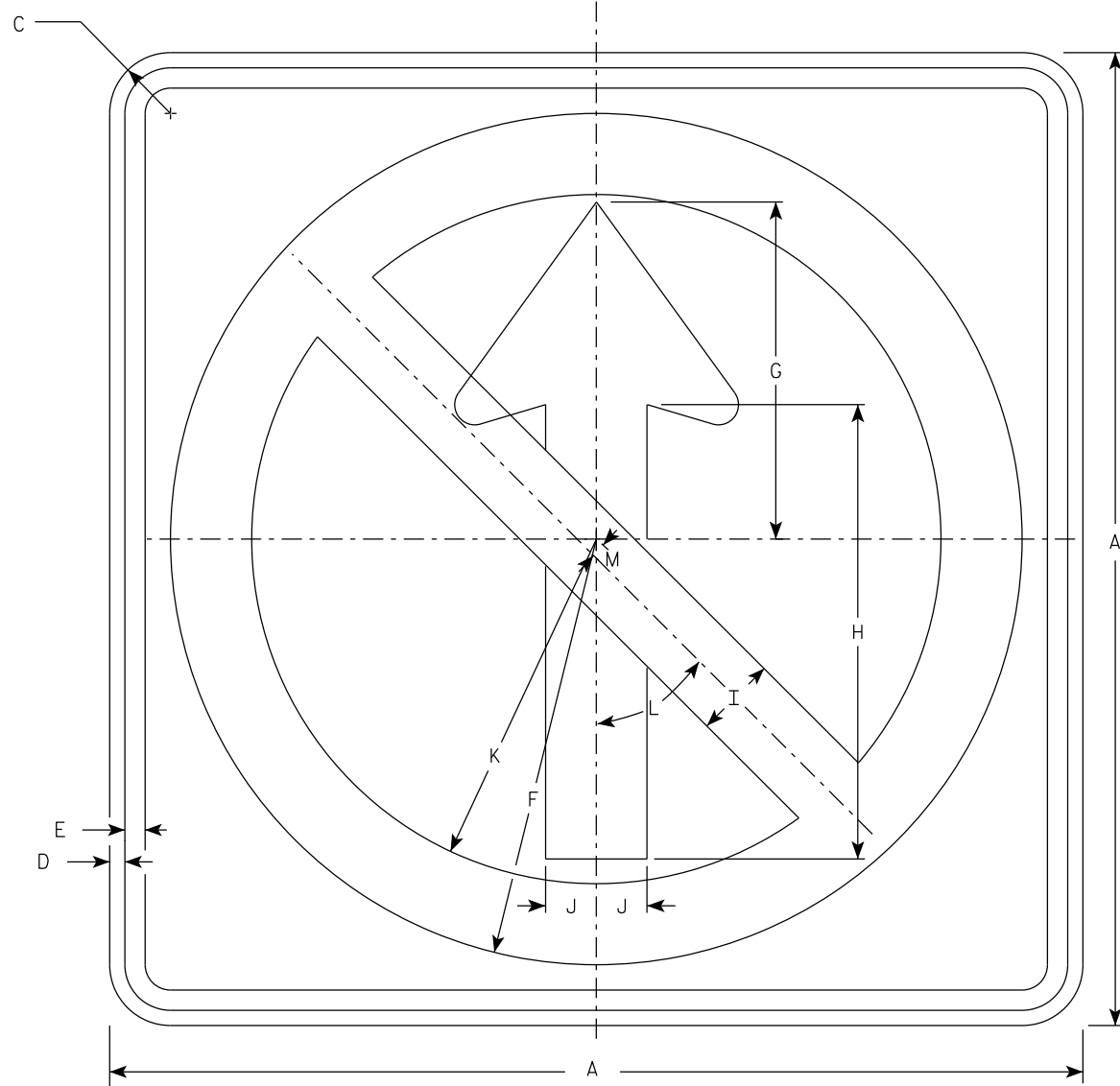
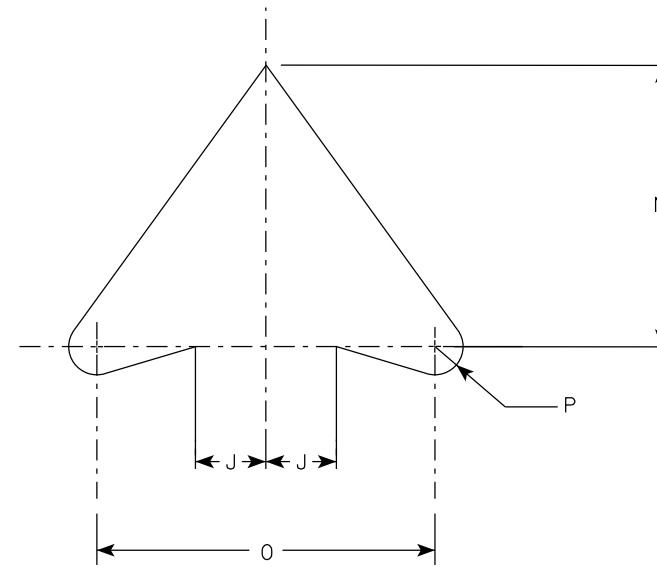


NOTES

1. Sign is Type II - Type H Reflective
2. Color:  
Background - White  
Message - See note 3
3. Border & Arrow are non reflective black, the circle with diagonal bar is reflective red.



R3-27



ARROW DETAIL

7

7

SIZE	A	B	C	D	E	F	G	H	I	J	K	L	M	N	O	P	Q	R	S	T	U	V	W	X	Y	Z	Area sq. ft.
1																											
2S	24		1 1/2	3/8	1/2	10 1/2	8 3/8	11 1/4	2	1 1/4	8 1/2	45°	3/8	5	6	1/2											4.0
2M	36		2 1/4	5/8	3/4	15 3/4	12 1/2	16 3/4	3	1 7/8	12 3/4	45°	1/2	7 1/2	9	3/4											9.0
3	36		2 1/4	5/8	3/4	15 3/4	12 1/2	16 3/4	3	1 7/8	12 3/4	45°	1/2	7 1/2	9	3/4											9.0
4	48		2 1/4	3/4	1	21	16 5/8	22 3/8	4	2 1/2	17	45°	3/4	10	12	1											16.0
5																											

STANDARD SIGN  
R3-27

WISCONSIN DEPT OF TRANSPORTATION

APPROVED *Matthew R. Rauch*  
for State Traffic Engineer

DATE 2/23/23 PLATE NO. R3-27.2