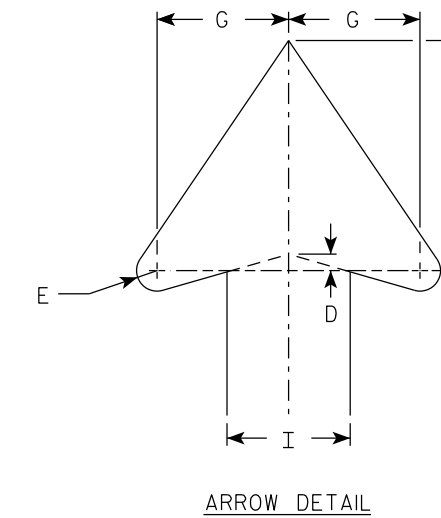
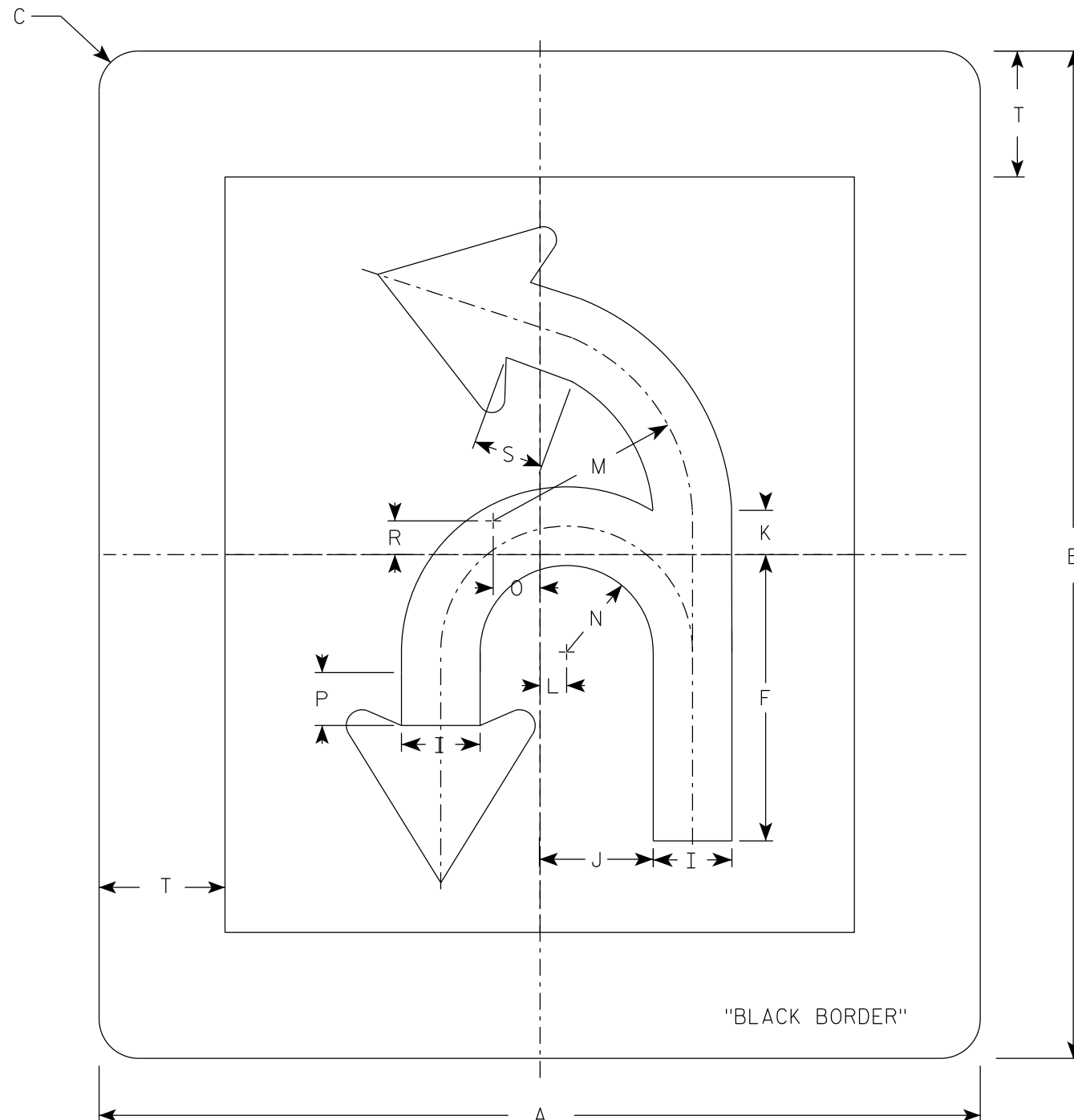


NOTES

1. Sign is Type II - Type H Reflective
2. Color:
Background - White
Message - Black
3. The 6" border is non-reflective black.



R3-5U

SIZE	A	B	C	D	E	F	G	H	I	J	K	L	M	N	O	P	Q	R	S	T	U	V	W	X	Y	Z	Area sq. ft.
1																											
2S	42	48	1 7/8			13 5/8	4	7	3 3/4	5 3/8	2 1/8	1 1/4	9 1/2	4 1/8	2 1/4	2 1/2		1 5/8	3 3/8	6							14.0
2M	42	48	1 7/8			13 5/8	4	7	3 3/4	5 3/8	2 1/8	1 1/4	9 1/2	4 1/8	2 1/4	2 1/2		1 5/8	3 3/8	6							14.0
3																											
4																											
5																											

STANDARD SIGN
R3-5U

WISCONSIN DEPT OF TRANSPORTATION

APPROVED *Matthew R. Rauch*
for State Traffic Engineer

DATE 3/26/24 PLATE NO. R3-5U.2

7

7