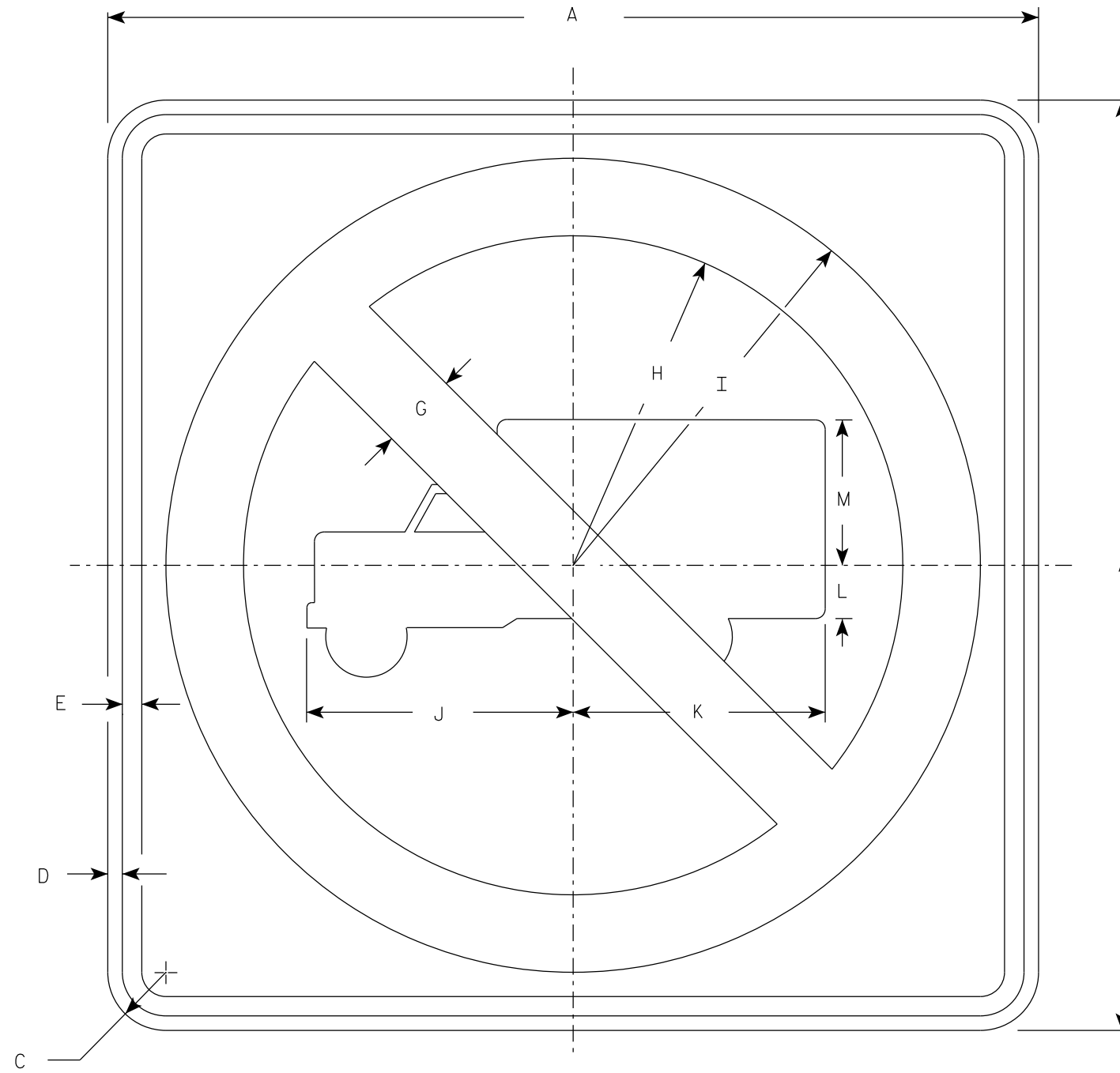


NOTES

1. Sign is Type II - Type H Reflective
2. Color:
  - Background - White
  - Message - See Note 3
3. Circle & Diagonal - Red
  - Truck Symbol & Border - Black



R5-2

SIZE	A	B	C	D	E	F	G	H	I	J	K	L	M	N	O	P	Q	R	S	T	U	V	W	X	Y	Z	Area sq. ft.
1																											
2S	24		1 1/2	3/8	1/2		2	8 1/2	10 1/2	6 7/8	6 1/2	1 3/8	3 3/4														4.0
2M	24		1 1/2	3/8	1/2		2	8 1/2	10 1/2	6 7/8	6 1/2	1 3/8	3 3/4														4.0
3	30		1 7/8	1/2	5/8		2 1/2	10 5/8	13 1/8	8 1/2	8 1/8	1 5/8	4 3/4														6.25
4	36		2 1/4	5/8	3/4		3	12 3/4	15 3/4	10 1/4	9 3/4	2	5 3/4														9.0
5	48		2 1/4	3/4	1		4	17	21	13 5/8	13	2 5/8	7 5/8														16.0

STANDARD SIGN  
R5-2

WISCONSIN DEPT OF TRANSPORTATION

APPROVED *Matthew R. Rauch*  
for State Traffic Engineer

DATE 8/17/23 PLATE NO. R5-2.7

PROJECT NO: \_\_\_\_\_ HWY: \_\_\_\_\_ COUNTY: \_\_\_\_\_ SHEET NO: **E**