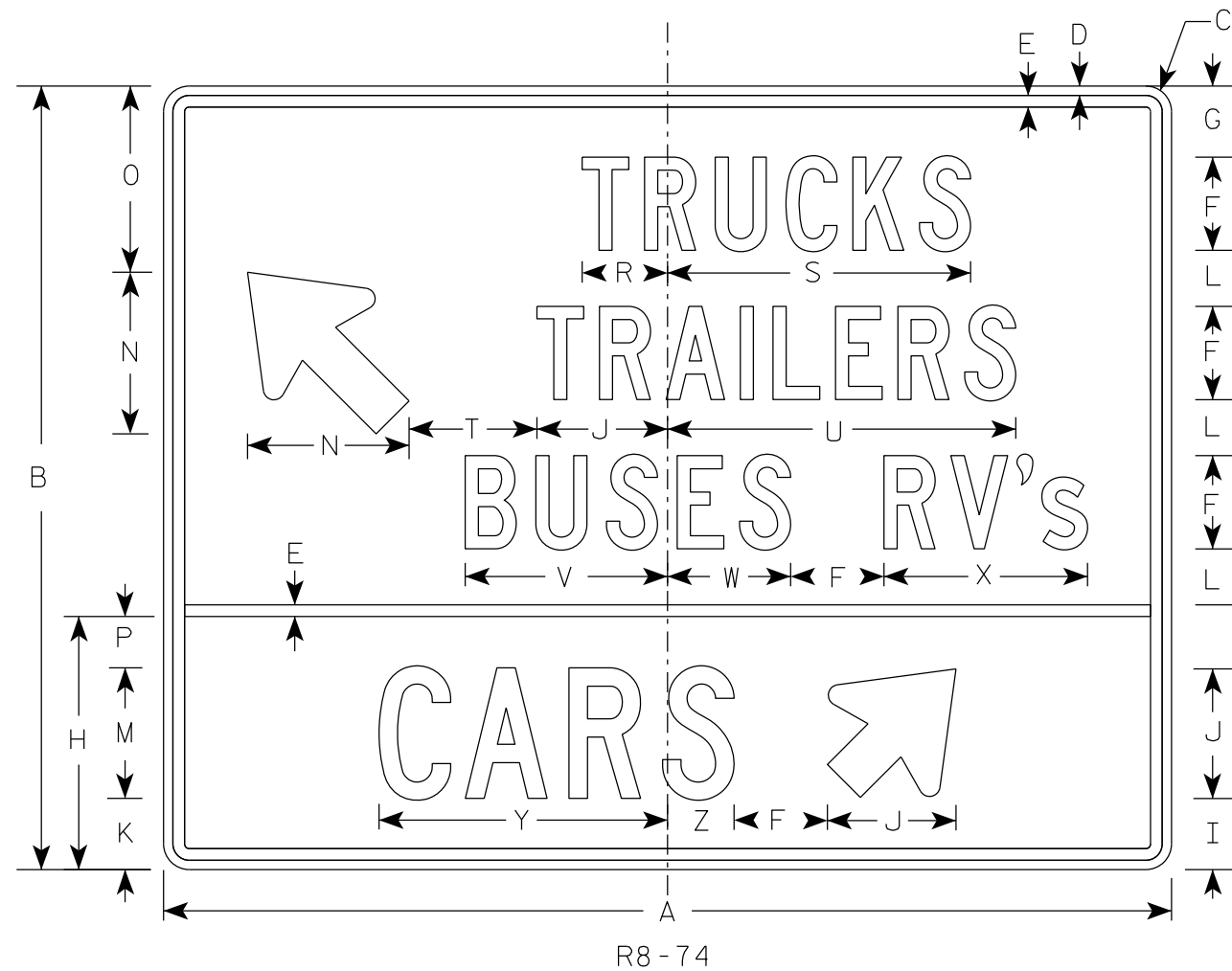
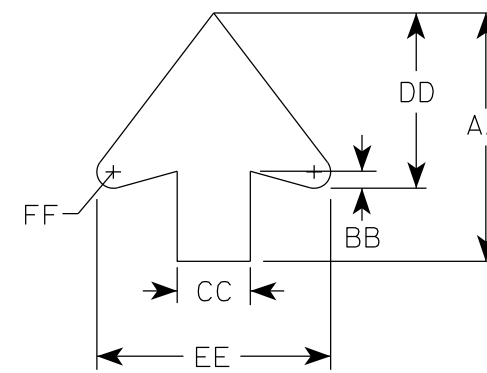


NOTES

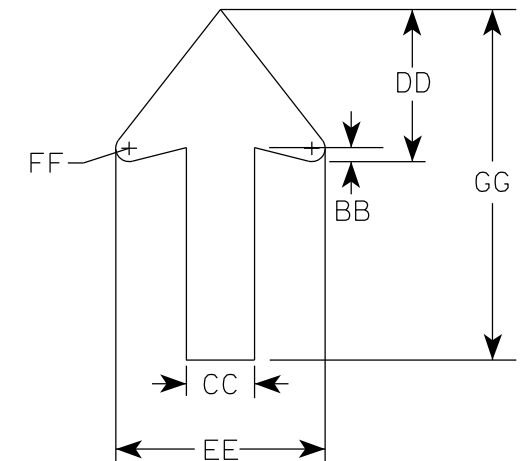
1. Sign is Type II - Type H Reflective
2. Color:
Background - White
Message - Black
3. Message Series - C



Arrow Details



Top Arrow



Bottom Arrow

SIZE	A	B	C	D	E	F	G	H	I	J	K	L	M	N	O	P	Q	R	S	T	U	V	W	X	Y	Z	Area sq. ft.
1																											
2S	54	42	1 7/8	1/2	5/8	5	3 3/4	13 5/8	3 3/4	7	3 7/8	3	7	8 5/8	10	2 3/4		4 5/8	16 1/4	6 7/8	18 5/8	10 7/8	6 5/8	10 7/8	15 1/2	3 5/8	15.75
2M	54	42	1 7/8	1/2	5/8	5	3 3/4	13 5/8	3 3/4	7	3 7/8	3	7	8 5/8	10	2 3/4		4 5/8	16 1/4	6 7/8	18 5/8	10 7/8	6 5/8	10 7/8	15 1/2	3 5/8	15.75
3	72	54	3	3/4	1	7	4 3/8	16 3/4	4 3/8	9 7/8	4 3/4	3 5/8	9	14	11 7/8	3		6 5/8	22 1/2	6 7/8	26	14 7/8	9 1/2	15 1/4	20 1/8	4 1/4	27.00
4	72	54	3	3/4	1	7	4 3/8	16 3/4	4 3/8	9 7/8	4 3/4	3 5/8	9	14	11 7/8	3		6 5/8	22 1/2	6 7/8	26	14 7/8	9 1/2	15 1/4	20 1/8	4 1/4	27.00
5	72	54	3	3/4	1	7	4 3/8	16 3/4	4 3/8	9 7/8	4 3/4	3 5/8	9	14	11 7/8	3		6 5/8	22 1/2	6 7/8	26	14 7/8	9 1/2	15 1/4	20 1/8	4 1/4	27.00

SIZE	AA	BB	CC	DD	EE	FF	GG
1							
2S	8 1/2	3/8	2 5/8	5 1/2	8	3/8	11
2M	8 1/2	3/8	2 5/8	5 1/2	8	3/8	11
3	12	1/2	3 1/2	7 3/8	10 3/4	1/2	18
4	12	1/2	3 1/2	7 3/8	10 3/4	1/2	18
5	12	1/2	3 1/2	7 3/8	10 3/4	1/2	18

STANDARD SIGN
R8-75

WISCONSIN DEPT OF TRANSPORTATION

APPROVED *Matthew R. Rauch*
For State Traffic Engineer

DATE 1/12/24 PLATE NO. R8-74.10

PROJECT NO: _____ HWY: _____ COUNTY: _____ SHEET NO: **E**