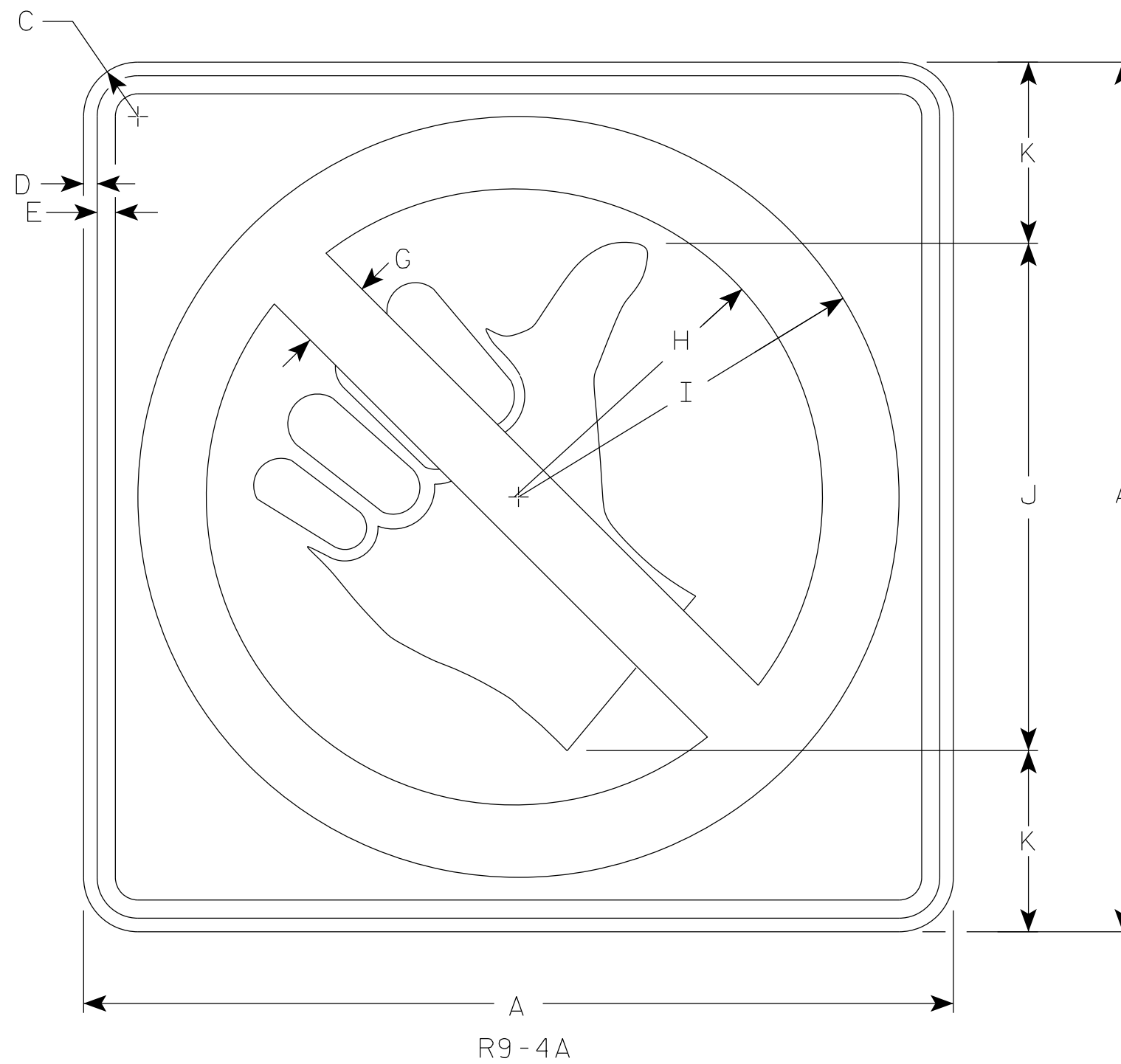


NOTES

1. Sign is Type II - Type H Reflective
2. Color:
Background - White
Message - See note 3
3. Border & Hand are non-reflective black.
Circle with diagonal bar is reflective red.



7

7

SIZE	A	B	C	D	E	F	G	H	I	J	K	L	M	N	O	P	Q	R	S	T	U	V	W	X	Y	Z	Area sq. ft.
1	18		1 1/2	3/8	3/8		1 1/2	6 3/8	7 7/8	10 1/2	3 3/4																2.25
2S	24		1 1/2	3/8	1/2		2	8 1/2	10 1/2	14	5																4.00
2M	24		1 1/2	3/8	1/2		2	8 1/2	10 1/2	14	5																4.00
3																											
4																											
5																											

STANDARD SIGN
R9-4A

WISCONSIN DEPT OF TRANSPORTATION

APPROVED *Matthew R. Rauch*
for State Traffic Engineer

DATE 1/24/24 PLATE NO. R9-4A.5

PROJECT NO: _____ HWY: _____ COUNTY: _____ SHEET NO: **E**