

CORRESPONDENCE/MEMORANDUM \_\_\_\_\_ State of Wisconsin

**DATE:** 12/22/2021  
**TO:** All WisDOT Standard Sign Plate Holders  
**FROM:** Ryan A. Mayer, P.E.  
State Signing Engineer  
**SUBJECT:** Revised WisDOT Standard Sign Plates

Listed below and placed in the Traffic Operations Manuals website are changes and additions to the WisDOT Standard Sign Plates. Please make your coworkers aware of the following changes and that they can be found at: <http://wisconsindot.gov/Pages/doing-bus/local-gov/traffic-ops/manuals-and-standards/manuals.aspx>

Many changes have taken place in this listing. The revisions are as follows:

Sign Plate Additions/Revisions

E5-54	E5-54A	E5-58	I52-52	M1-9	M4-60
M4-60A	M4-60D	R1-5L	R1-5R	R9-3A	R10-26
R11-3	W2-2	W4-3	W4-5	W12-2	WO4-5
WO6-50	WO6-51	WO11-15	WO12-2	WO14-3	

Retired Sign Plates

W21-1            WO8-74

If you want to be removed from our distribution list or if your address has changed, please contact Ryan Mayer at the email address or phone number below.

**Ryan Mayer**  
**WisDOT Central Office**  
**Bureau of Traffic Operations**  
**3609 Pierstorff St**  
**Madison, WI 53704**  
**(608) 246-3810**  
[ryan.mayer@dot.wi.gov](mailto:ryan.mayer@dot.wi.gov)



## STANDARD SIGN PLATE LISTING

A1-1	A5-8	A11-17	D4-55
A1-2	A5-9	A11-18	D4-55A
A2-1	A5-10	D1-51	D4-56
A2-1S	A11-1	D1-55	D5-5A
A3-1	A11-2	D1-56	D5-5B
A3-1M	A11-3	D1-57	D5-61
A3-2	A11-4	D1-60	D5-62
A3-3	A11-5	D1-60A	D5-63
A4-1	A11-6	D1-61	D5-64
A4-2	A11-7	D1-63	D5-65
A4-3	A11-8A	D1-64	D5-66
A4-3B	A11-8B	D1-65	D5-67
A4-3S	A11-8C	D1-66	D5-68
A4-4	A11-9	D1-70	D6-4
A4-5	A11-10	D1-71	D6-4N
A4-6	A11-11A	D1-72	D6-4S
A4-7A	A11-11B	D1-80	D6-51
A4-7B	A11-11D	D1-81	D6-53
A4-8	A11-11F	D18-82	D7-51
A4-9	A11-11G	D4-1	D7-53
A4-10	A11-11H	D4-2	D7-54
A4-11	A11-11I	D4-2A	D7-56
A4-12	A11-11J	D4-3	D7-57
A4-14	A11-11K	D4-4	D7-59
A4-15	A11-11L	D4-5A	D7-60
A4-16	A11-12	D4-5	D7-61
A4-17	A11-13	D4-51	D7-63
A4-18	A11-14	D4-52	D7-64
A5-2	A11-15	D4-54	D7-66
A5-3	A11-16	D4-54A	D7-67
A5-7			

## STANDARD SIGN PLATE LISTING

D7-68	D11-7	E5-51A	E10-54
D7-69	D11-8	E5-52	E10-55
D7-71	D11-9	E5-52A	E10-56
D7-72	D11-10	E5-53	E10-60
D7-74	D11-10A	<u>E5-54</u>	E10-61
D7-75	D11-10P	<u>E5-54A</u>	E10-62
D7-77	D12-2	E5-56A	E10-63
D7-77A	D12-2A	E5-56L	E10-64
D7-81	D12-2B	E5-57	E10-82
D7-81A	D12-3	E5-57D	E10-82A
D7-82	D12-3A	E5-57E	E10-83
D7-82A	D12-5	<u>E5-58</u>	E10-83A
D7-82B	D12-50	E5-60	E11-1
D7-91	D13-3	E5-61	E13-1P
D7-92	D15-1	E5-62	G20-1
D7-93	D15-2	E5-63	G20-2A
D7-95	D16-1	E5-64	G20-40
D9-2	D17-2	E5-65	G20-51
D9-6	D17-7	E6-51	G20-52
D9-13C	D52-53	E6-52	G20-52A
D9-16D	D52-54	E6-53	G20-53
D9-51	D52-58	E6-54A	G20-53A
D9-52	DB5-69	E6-54L	G20-55
D9-52A	DR1-53	E6-54R	G20-56
D9-54	E1-5	E7-1	G20-57
D9-54A	E2-1	E7-2	G20-57B
D10-3	E5-1	E7-3	G20-57C
D11-1	E5-1A	E7-4	G20-58
D11-1A	E5-1B	E9-1	G20-59
D11-6	E5-51	E10-51	G20-60
		E10-53	G20-61

## STANDARD SIGN PLATE LISTING

G20-62	M1-8A	M4-3	M6-5
G20-63	<u>M1-9</u>	M4-4	M6-50
G20-64	M1-51	M4-5	M7-1
G20-65	M1-54	M4-6	M50
G20-66	M1-55	M4-8	MR1-99
G20-67	M1-56	M4-8A	MR4-53
G20-68	M1-56B	M4-9A	MR4-56
I2-1	M1-85	M4-9AA	MR5-53
I2-1B	M1-85B	M4-9BA	MR5-54
I2-2	M1-86	M4-9B	R1-1
I2-2R	M1-87	M4-9C	R1-1B
I2-3	M1-88	M4-9CA	R1-1F
I2-3A	M1-88A	M4-9D	R1-2
I3-1	M1-90	M4-9DA	R1-3P
I5-1	M1-91	M4-9R	<u>R1-5L</u>
<u>I52-52</u>	M1-92	M4-9RA	<u>R1-5R</u>
I55-56	M1-93	M4-10	R1-6
I55-56B	M1-94	M4-20C	R1-9
I55-57	M1-94H	M4-20L	R1-10P
I55-57A	M1-94S	M4-20R	R1-53
I56-50	M1-95	M4-21	R1-54
I57-10	M1-95A	M4-22	R1-55
I57-10W	M1-96	M4-59A	R1-61
JV-F	M1-97	M4-59L	R2-1
M1-1	M1-98	<u>M4-60</u>	R2-4
M1-4	M2-1	<u>M4-60A</u>	R2-6P
M1-5A	M3-1	<u>M4-60D</u>	R3-1
M1-6	M4-1	M5-1	R3-2
M1-6B	M4-1A	M5-51	R3-3
M1-7	M4-2	M5-52	R3-4
M1-8		M6-1	
		M6-4	

## STANDARD SIGN PLATE LISTING

R3-4A	R3-50	R4-55	R7-5
R3-4B	R3-50A	R4-55S	R7-6
R3-5	R3-50U	R5-1	R7-7
R3-5A	R3-51	R5-1A	R7-8
R3-5U	R3-51L	R5-1AB	R7-8A
R3-5X	R3-51R	R5-2	R7-8V
R3-6	R3-52B	R5-2A	R7-51
R3-6T	R3-52C	R5-3	R7-52
R3-6U	R3-52P	R5-6	R7-53
R3-6V	R3-53	R5-50	R7-63
R3-6W	R3-54	R5-51	R7-64
R3-6X	R3-55A	R5-54	R7-65
R3-7	R3-57	R5-57	R7-66
R3-7B	R3-58	R5-57A	R8-4
R3-7C	R3-59	R5-57B	R8-7
R3-7S	R3-60	R5-60	R8-8
R3-8	R3-60X	R5-60RU	R8-8
R3-9B	R4-1	R5-96	R8-9
R3-9C	R4-2	R5-97	R8-10
R3-11D	R4-3	R5-98	R8-51
R3-12G	R4-4	R5-99	R8-52
R3-17	R4-5	R6-1	R8-53
R3-18	R4-7	R6-2	R8-54
R3-20L	R4-9	R6-3	R8-55
R3-20LL	R4-11	R6-4B	R8-56
R3-20R	R4-13	R6-5P	R8-74
R3-20RR	R4-14	R6-6	R8-75
R3-25U	R4-18	R6-7	R9-1
R3-27	R4-50	R7-1	R9-2
R3-33	R4-52	R7-2	R9-3
	R4-53	R7-4	<u>R9-3A</u>

## STANDARD SIGN PLATE LISTING

R9-3B	R10-7	R11-2	R15-50
R9-3BL	R10-10	R11-2B	R52-55
R9-4	R10-10A	<u>R11-3</u>	R52-57A
R9-4A	R10-11	R11-3B	R52-59
R9-8	R10-11B	R11-3C	R53-51
R9-9	R10-11C	R11-4	R53-52
R9-9A	R10-11F	R11-5	R53-53
R9-10	R10-11S	R11-51	R53-55
R9-11	R10-11T	R11-52	R53-56
R9-11A	R10-12	R11-53	R53-57
R9-53	R10-15L	R11-54F	R55-51
R9-55	R10-15R	R12-1	R55-53
R9-56	R10-16	R12-2	R55-54
R9-98	R10-17A	R12-52	R55-58
R9-99	R10-23	R12-53	R55-58A
R10-1	R10-25	R12-54	R55-59
R10-2	<u>R10-26</u>	R12-55	R55-61
R10-3	R10-30A	R12-56	R55-61M
R10-3B	R10-50	R12-57	R55-62
R10-3E	R10-61	R12-58	R55-63
R10-3H	R10-62	R12-58F	R55-64
R10-3I	R10-63	R12-59	R55-65
R10-3J	R10-64	R12-70	R55-66
R10-3N	R10-64B	R12-70B	R55-67
R10-4	R10-64F	R13-1	RR2-60
R10-4B	R10-65	R13-49	S1-1
R10-4D	R10-70	R13-50	S1-51
R10-4X	R10-71	R14-1	S3-1
R10-5	R10-72	R14-52	S3-51
R10-6	R10-85	R15-3	S4-2
R10-6B			

## STANDARD SIGN PLATE LISTING

S4-5	W2-6	W5-57	W8-4
S4-51	W2-7L	W5-58D	W8-5
S4-52	W2-7R	W5-58L	W8-6
S5-2	W2-50	W5-58R	W8-7
S13-1	W3-1	W5-59L	W8-8
S16-5P	W3-1B	W5-59R	W8-9
S16-7	W3-2	W5-60L	W8-9A
S16-8	W3-3	W5-60R	W8-11
S16-9P	W3-4	W5-61	W8-12
S54-61	W3-5	W5-64	W8-14
S57-51	W3-6	W5-65	W8-15
W1-2	W3-8	W6-1	W8-16
W1-3	W4-1	W6-3	W8-17
W1-4	W4-2	W6-4	W8-25
W1-4B	<u>W4-3</u>	W6-53	W8-57
W1-4C	W4-4A	W6-54	W8-58
W1-5	W4-4B	W6-54A	W8-60
W1-6	W4-4C	W6-54B	W8-61
W1-7	W4-4P	W6-54C	W8-62
W1-8	<u>W4-5</u>	W6-54D	W8-63
W1-8B	W4-6	W6-60	W8-64
W1-10	W4-7	W7-1	W8-65
W1-10F	W5-1	W7-2B	W8-66
W1-11	W5-2	W7-3	W8-67
W1-13L	W5-3	W7-6	W8-68
W1-13R	W5-52	W7-61	W8-69
W1-51	W5-53	W8-1	W8-70
W1-60	W5-53S	W8-1A	W8-71
W2-1	W5-54	W8-2	W8-72
<u>W2-2</u>	W5-56	W8-3	W8-72P
W2-3			

## STANDARD SIGN PLATE LISTING

W8-73	W11-50	W16-15P	W21-62R
W8-75	W11-55	W19-1	W21-63
W8-77	W11-57	W19-2	W21-64A
W9-1	W11-59P	W20-1	W21-64B
W9-2	W12-1	W20-2	W21-64C
W9-3A	W12-1D	W20-3	W21-66
W9-62	<u>W12-2</u>	W20-4	W21-67
W9-63	W12-2A	W20-5	W21-68
W10-1	W12-50	W20-7	W22-1
W10-1A	W12-52	W20-7A	W22-2
W10-2	W12-52P	W20-40	W22-3
W10-3	W13-1	W20-50	W23-2
W10-4	W13-2	W20-50M	W24-1L
W10-5	W13-2A	W20-53	W24-1R
W10-11A	W13-2B	W20-58	W24-1aL
W10-11B	W13-2C	W21-1A	W24-1aR
W10-12	W13-2D	W21-2	W24-1bL
W10-52	W13-3	W21-3	W24-1Br
W11-1	W13-3A	W21-5	W24-1P
W11-2	W13-3B	W21-5	W25-2
W11-4	W13-3C	W21-5A	W54-51
W11-5	W13-3D	W21-5B	W54-52
W11-6	W14-1	W21-6	W54-53
W11-7	W14-2	W21-7	W54-54
W11-8	W14-3	W21-51	W54-55
W11-9	W16-1P	W21-52	W54-56
W11-11	W16-2A	W21-60	W54-57
W11-14	W16-5P	W21-61	W54-58
W11-15	W16-7	W21-62	W54-59
W11-15A	W16-7D	W21-62P	W54-60
	W16-9P	W21-62Q	W54-62

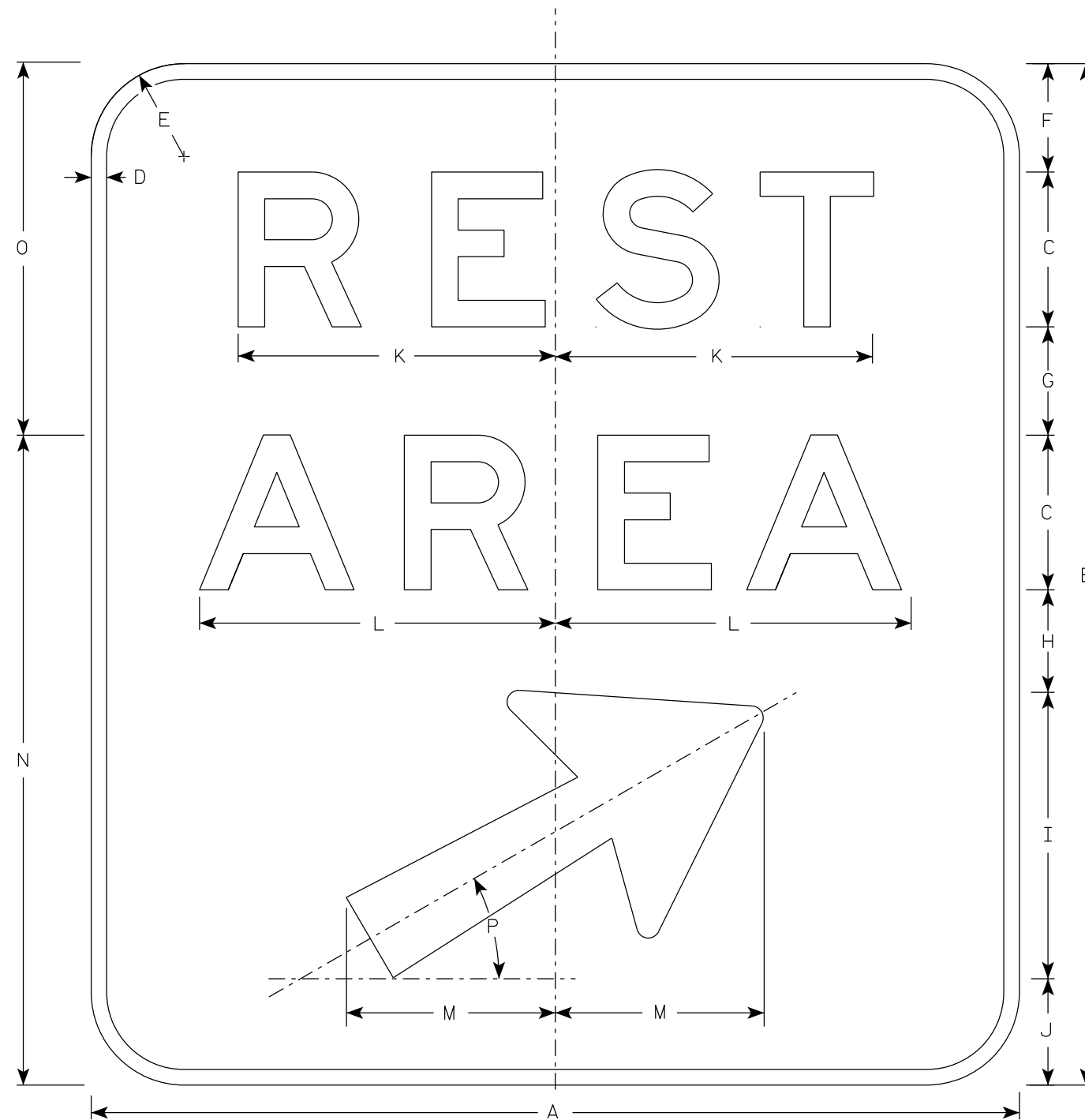


## STANDARD SIGN PLATE LISTING

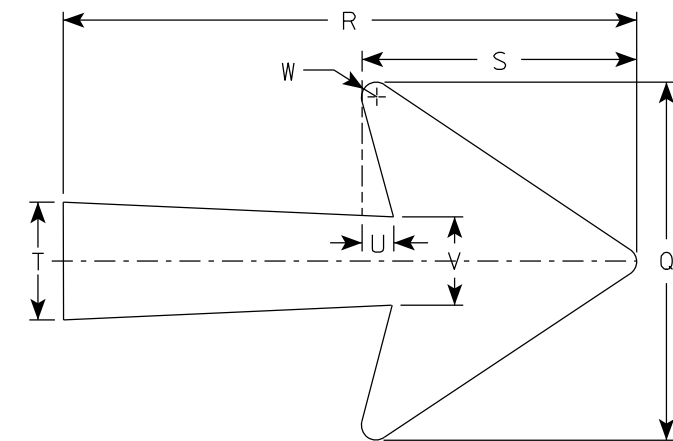
W54-63	W05-60	W013-1
W56-51	W06-1	W013-2
W57-51	W06-2	W016-7
W57-52	W06-3	W016-9P
W01-1	W07-61	<u>W014-3</u>
W01-2	<u>W06-50</u>	W024-1
W01-3	<u>W06-51</u>	W057-51
W01-4B	W08-1	W057-52
W01-4	W08-1A	
W01-4C	W08-2	
W01-6	W08-3	
W01-7	W08-4	
W03-1	W08-5	
W03-2	W08-6	
W03-3	W08-6A	
W03-4	W08-6B	
W03-5	W08-6C	
W04-1	W08-7	
W04-2	W08-8	
W04-3	W08-9	
<u>W04-5</u>	W08-15	
W04-5P	W08-76	
W04-6	W08-77	
W05-1	W09-1	
W05-2	W09-2	
W05-52	W011-2	
W05-53	<u>W011-15</u>	
W05-58	W012-1	
W05-58D	W012-1D	
W05-59	<u>W012-2</u>	

NOTES

1. Sign is Type II - Type H Reflective
2. Color:  
Background - Blue  
Message - White
3. Message Series - E
4. Arrow is Type A as per A1-1 standard
5. Dimensions N & O Indicate cutting lines for splice.
6. E5-54L is the same as E5-54R except the arrow is reversed.



E5-54R



Arrow Detail

SIZE	A	B	C	D	E	F	G	H	I	J	K	L	M	N	O	P	Q	R	S	T	U	V	W	X	Y	Z	Area sq. ft.
1																											
2																											
3																											
4	60	66	10	1	6	7	7	6 5/8	18 1/2	6 7/8	21	23	13 1/2	42	24	30°	18 1/4	29 1/4	14	6	1 1/2	4 1/2	3/4				27.5
5	72	72	12	1	9	7 1/4	7	8	18 1/2	7 1/4	25	27	13 1/2	48	24	30°	18 1/4	29 1/4	14	6	1 1/2	4 1/2	3/4				36.0

STANDARD SIGN  
E5-54

WISCONSIN DEPT OF TRANSPORTATION

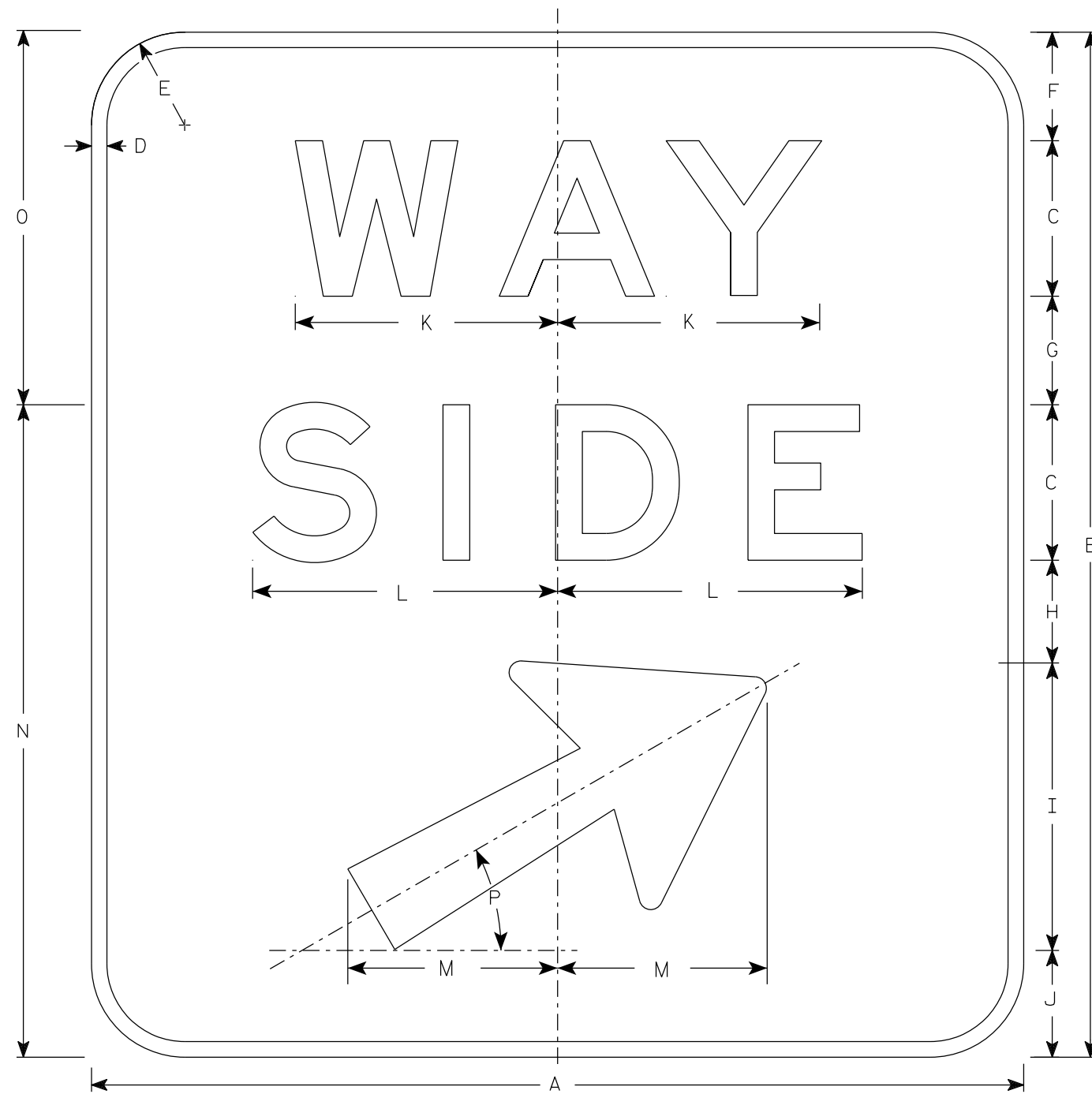
APPROVED *Matthew R. Rauch*  
for State Traffic Engineer

DATE 9/23/2021 PLATE NO. E5-54.9

PROJECT NO: \_\_\_\_\_ HWY: \_\_\_\_\_ COUNTY: \_\_\_\_\_ SHEET NO: **E**

7

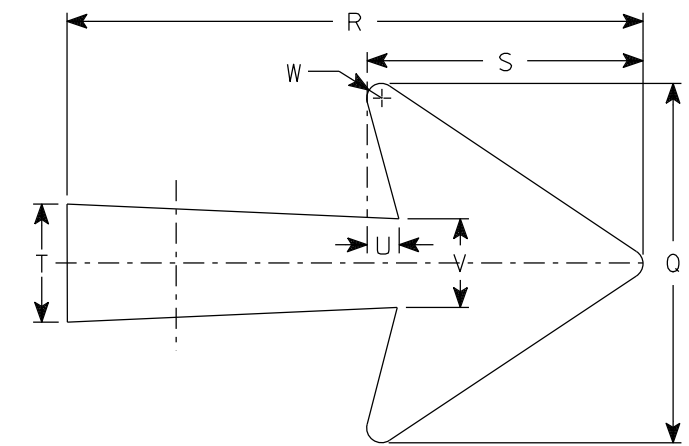
7



E5-54AR

NOTES

1. Sign is Type II - Type H Reflective
2. Color:  
Background - Blue  
Message - White
3. Message Series - E
4. Arrow is Type A as per A1-1 standard
5. Dimensions N & O Indicate cutting lines for splice.
6. E5-54AL is the same as E5-54AR except the arrow is reversed.



Arrow Detail

SIZE	A	B	C	D	E	F	G	H	I	J	K	L	M	N	O	P	Q	R	S	T	U	V	W	X	Y	Z	Area sq. ft.
1																											
2																											
3																											
4	60	66	10	1	6	7	7	6 5/8	18 1/2	6 7/8	16 7/8	19 5/8	13 1/2	42	24	30°	18 1/4	29 1/4	14	6	1 1/2	4 1/2	3/4				27.5
5	72	72	12	1	9	7 1/4	7	8	18 1/2	7 1/4	20 1/2	23 3/4	13 1/2	48	24	30°	18 1/4	29 1/4	14	6	1 1/2	4 1/2	3/4				36.0

STANDARD SIGN  
E5-54A

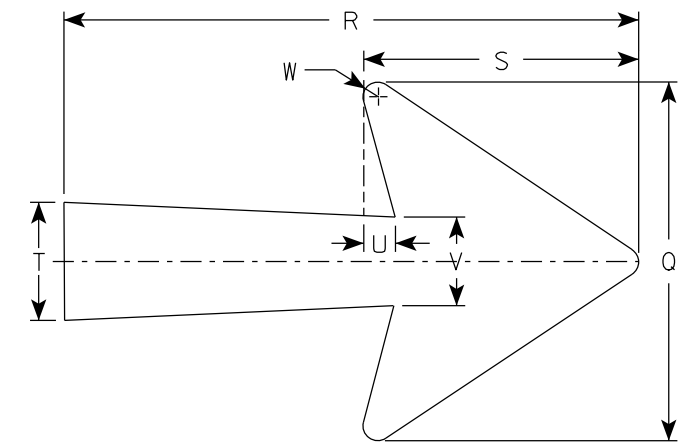
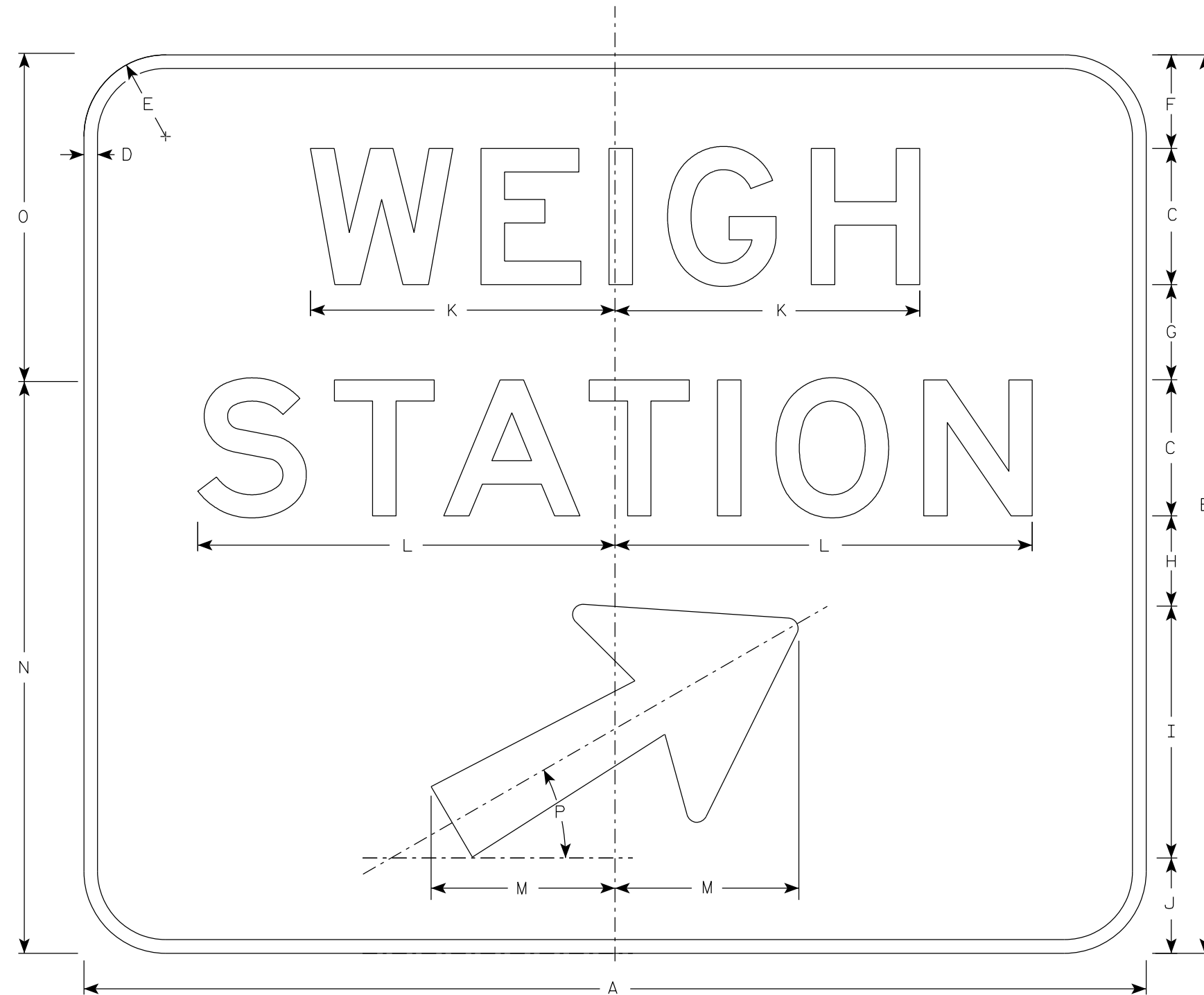
WISCONSIN DEPT OF TRANSPORTATION

APPROVED *Matthew R. Rauch*  
For State Traffic Engineer

DATE 9/23/2021 PLATE NO. E5-54.4

NOTES

1. Sign is Type II - Type H Reflective
2. Color:  
Background - Green  
Message - White
3. Message Series - E
4. Arrow is Type A as per A1-1 standard
5. Dimensions N & O Indicate cutting lines for panels
6. E5-58L is the same as E5-58R except the arrow is reversed.



Arrow Detail

E5-58R

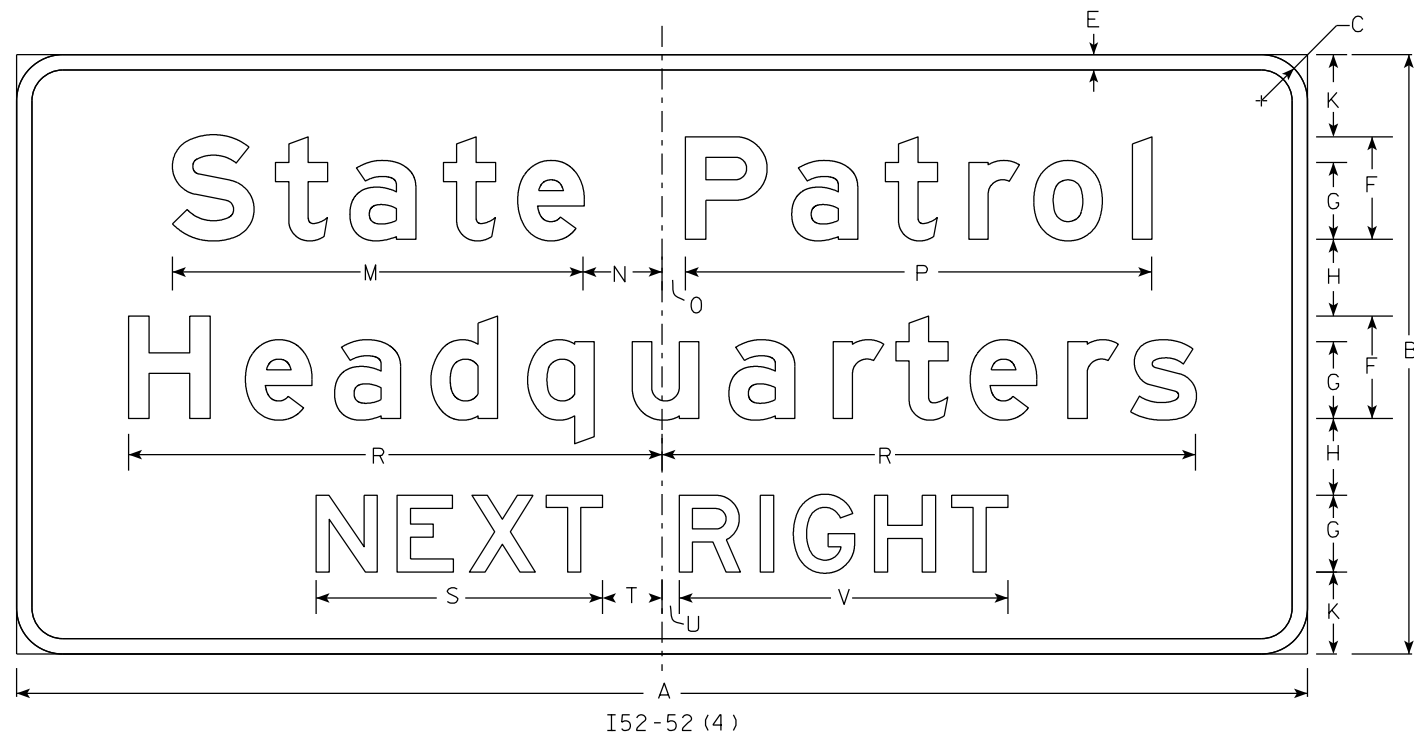
SIZE	A	B	C	D	E	F	G	H	I	J	K	L	M	N	O	P	Q	R	S	T	U	V	W	X	Y	Z	Area sq. ft.
1																											
2																											
3																											
4	78	66	10	1	6	7	7	6 1/2	18 1/2	7	22 3/8	30 5/8	13 1/2	42	24	30°	18 1/4	29 1/4	14	6	1 1/2	4 1/2	3/4				35.75
5	90	72	12	1	9	7 1/4	7	8	18 1/2	7 1/4	26 7/8	36 3/4	13 1/2	48	24	30°	18 1/4	29 1/4	14	6	1 1/2	4 1/2	3/4				45.0

STANDARD SIGN  
E5-58

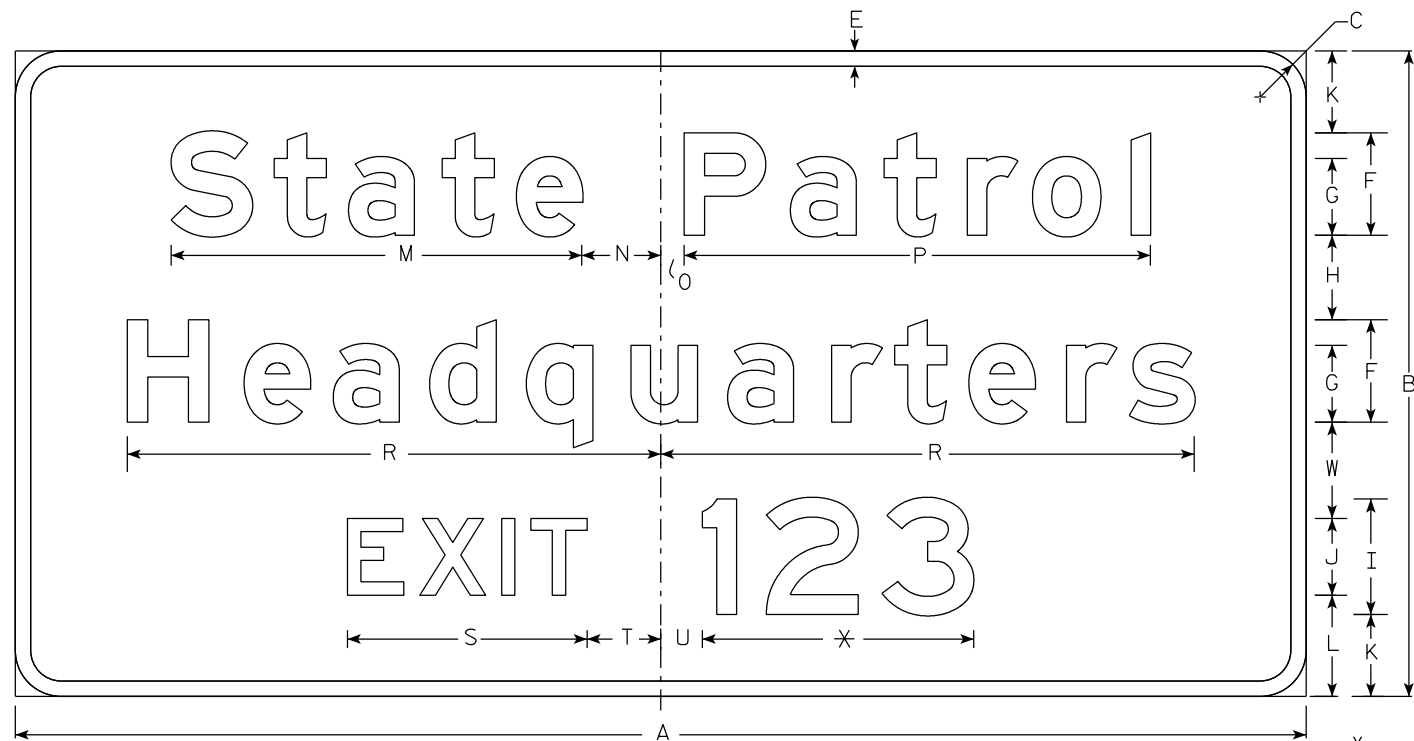
WISCONSIN DEPT OF TRANSPORTATION

APPROVED *Matthew R. Rauch*  
For State Traffic Engineer

DATE 9/23/2021 PLATE NO. E5-58.2



I52-52 (4)

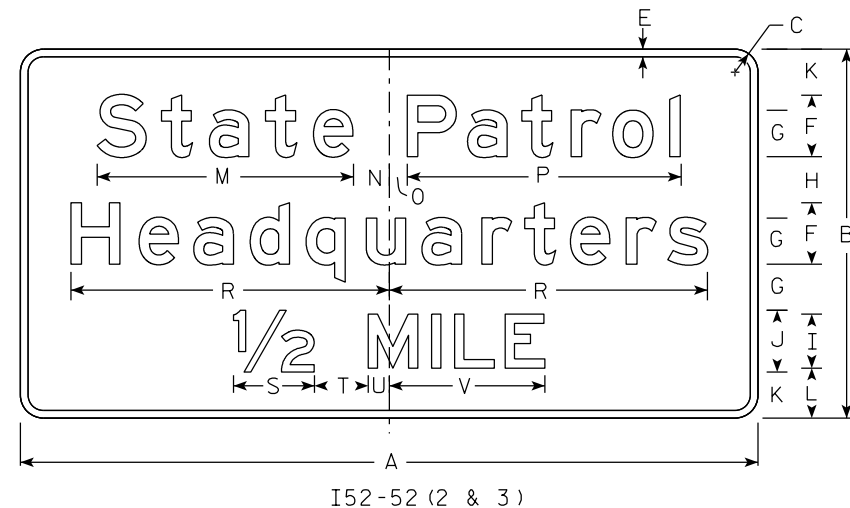


I52-52 (5)

\*See Note 5

NOTES

1. All Signs are - See note 4
2. Color:  
Background - Green  
Message - White
3. Message Series - E
4. Code size "2 & 3" are Type II with Type H reflective sheeting.  
Code "4 & 5" will be Type I, with Type SH reflective sheeting.
5. Apply proper Exit Number and space to achieve proper balance.



I52-52 (2 & 3)

SIZE	A	B	C	D	E	F	G	H	I	J	K	L	M	N	O	P	Q	R	S	T	U	V	W	X	Y	Z	Area sq. ft.
1																											
2S	78	36	2 1/4		3/4	6	4 1/2	4 1/2	5	6	4 1/2	5	25	4 3/8	1 5/8	27 3/8		32 1/4	7 7/8	6	1 1/4	15 1/8					19.5
2M	78	36	2 1/4		3/4	6	4 1/2	4 1/2	5	6	4 1/2	5	25	4 3/8	1 5/8	27 3/8		32 1/4	7 7/8	6	1 1/4	15 1/8					19.5
3	96	48	3		1	8	6	6	7	8	6	6 1/2	33 3/8	4 5/8	2 3/8	35 5/8		41 3/8	10 1/2	7	2 3/4	20 1/4					32.0
4	168	78	6		2	13 3/8	10	10	--	--	10 5/8	--	53 3/8	10 1/4	3	60 5/8		69 3/8	37 1/4	7 3/4	2 1/4	42 3/4					91.0
5	168	84	6		2	13 3/8	10	11	15	10	10 5/8	13 1/8	53 3/8	10 1/4	3	60 5/8		69 3/8	31 1/8	9 5/8	5 3/8	--	12 1/2				98.0

STANDARD SIGN  
I52-52

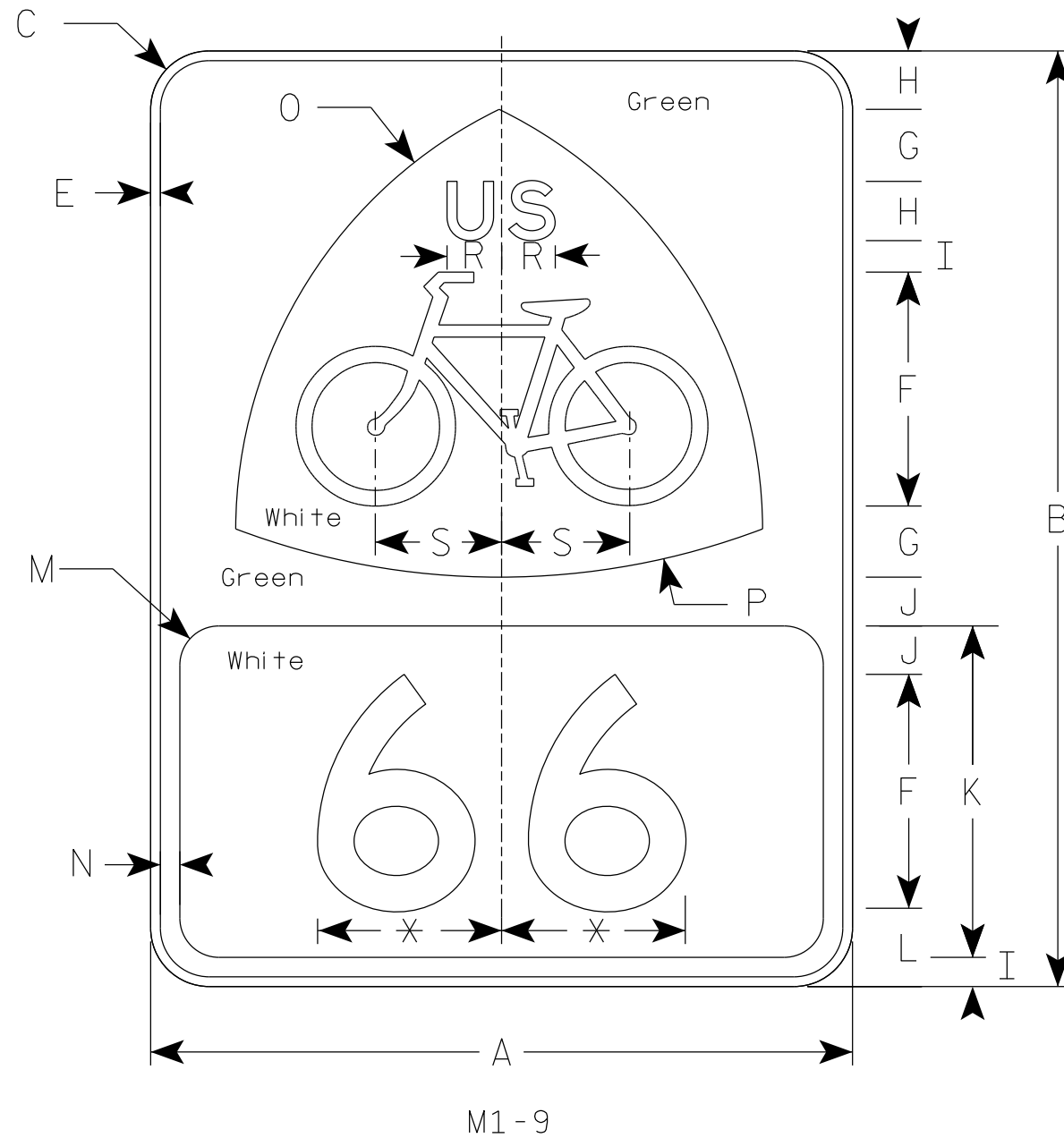
WISCONSIN DEPT OF TRANSPORTATION

APPROVED *Matthew R Rauch*  
For State Traffic Engineer

DATE 12/16/2021 PLATE NO. I52-52.6

NOTES

1. Sign is Type II - Type H Reflective
2. Color:  
Background - White  
Message - Green
3. Message Series - Line 1 - Series E  
Line 2 - Series D



\* - Optically center numbers to fit

SIZE	A	B	C	D	E	F	G	H	I	J	K	L	M	N	O	P	Q	R	S	T	U	V	W	X	Y	Z	Area sq. ft.
1																											
2S	18	24	1 1/2		1/4	6	1 7/8	1 1/2	3/4	1 1/4	8 1/2	2	1	1/2	12	19		1 3/8	3 1/4								3.0
2M	18	24	1 1/2		1/4	6	1 7/8	1 1/2	3/4	1 1/4	8 1/2	2	1	1/2	12	19		1 3/8	3 1/4								3.0
3																											
4																											
5																											

STANDARD SIGN  
M1-9

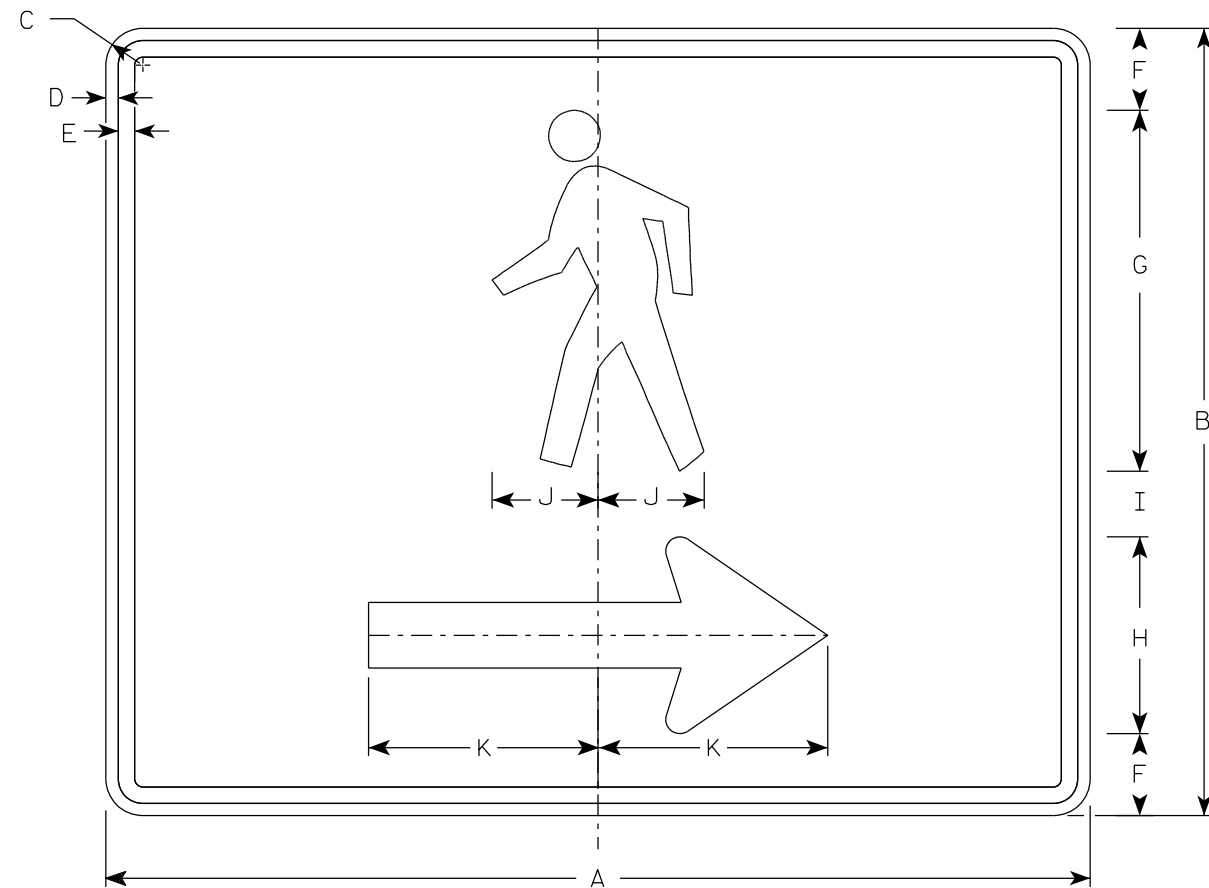
WISCONSIN DEPT OF TRANSPORTATION

APPROVED *Matthew R Rauch*  
for State Traffic Engineer

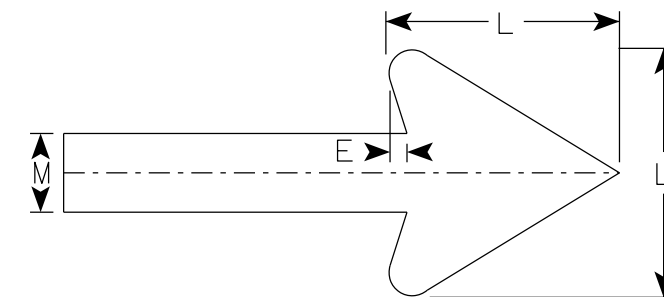
DATE 12/22/21 PLATE NO. M1-9.2

NOTES

1. Sign is Type II- Type F Reflective
2. Color:  
Background - Orange  
Message - Black
3. Corners may be square or rounded when base material is plywood but borders shall be rounded as shown. When base material is metal, the corners and borders shall be rounded.
4. M4-60L is the same as M4-60R except the arrow is reversed.



M4-60R



Arrow Detail

SIZE	A	B	C	D	E	F	G	H	I	J	K	L	M	N	O	P	Q	R	S	T	U	V	W	X	Y	Z	Area sq. ft.
1																											
2	30	24	1 1/8	3/8	1/2	2 1/2	11	6	2	3 1/4	7	6	2														5.00
3																											
4																											
5																											

STANDARD SIGN  
M4-60 L&R

WISCONSIN DEPT OF TRANSPORTATION

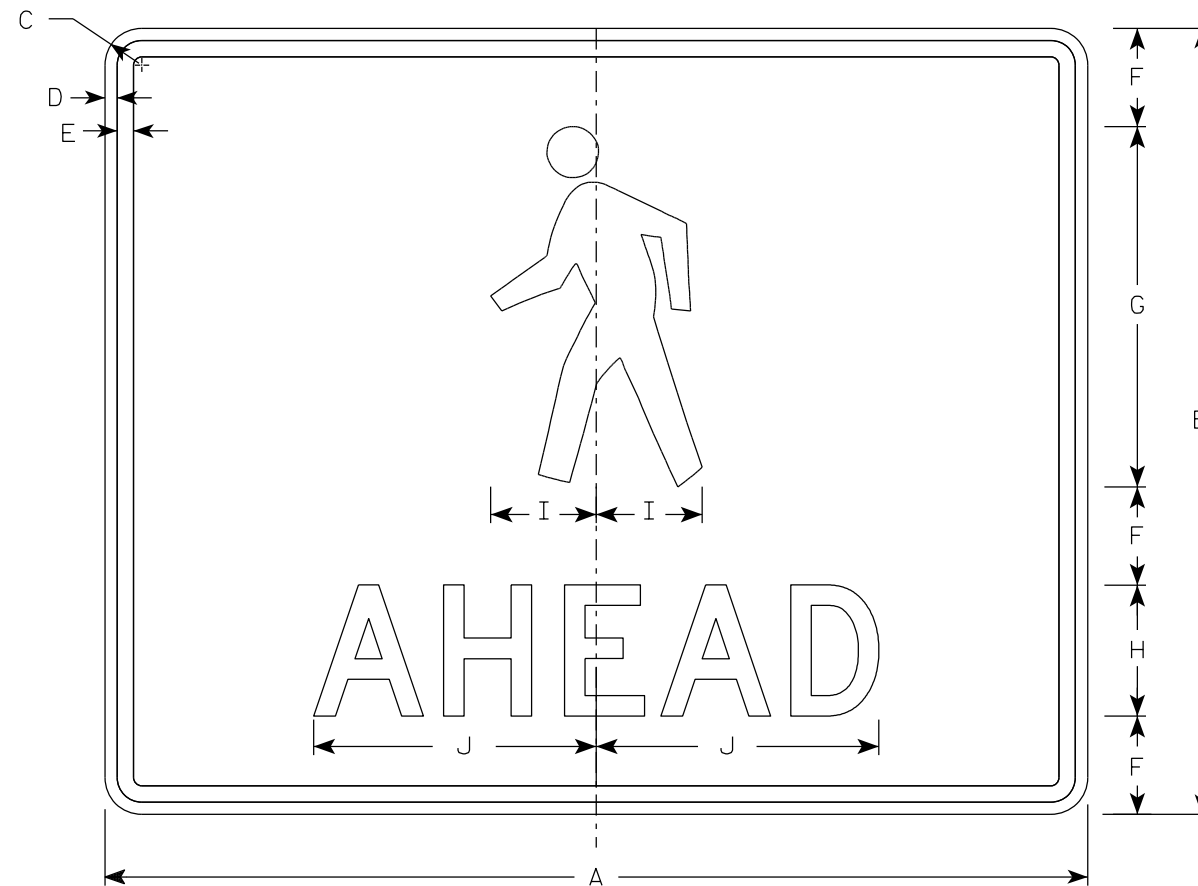
APPROVED *Matthew R Rauch*  
For State Traffic Engineer

DATE 9/16/2021 PLATE NO. M4-60.1

PROJECT NO: \_\_\_\_\_ HWY: \_\_\_\_\_ COUNTY: \_\_\_\_\_ SHEET NO: **E**

NOTES

1. Sign is Type II- Type F Reflective
2. Color:  
Background - Orange  
Message - Black
3. Message Series - D
4. Corners may be square or rounded when base material is plywood but borders shall be rounded as shown. When base material is metal, the corners and borders shall be rounded.



M4-60A

SIZE	A	B	C	D	E	F	G	H	I	J	K	L	M	N	O	P	Q	R	S	T	U	V	W	X	Y	Z	Area sq. ft.
1																											
2	30	24	1 1/8	3/8	1/2	3	11	4	3 3/4	8 5/8																	5.00
3																											
4																											
5																											

STANDARD SIGN  
M4-60A

WISCONSIN DEPT OF TRANSPORTATION

APPROVED *Matthew R. Rauch*  
For State Traffic Engineer

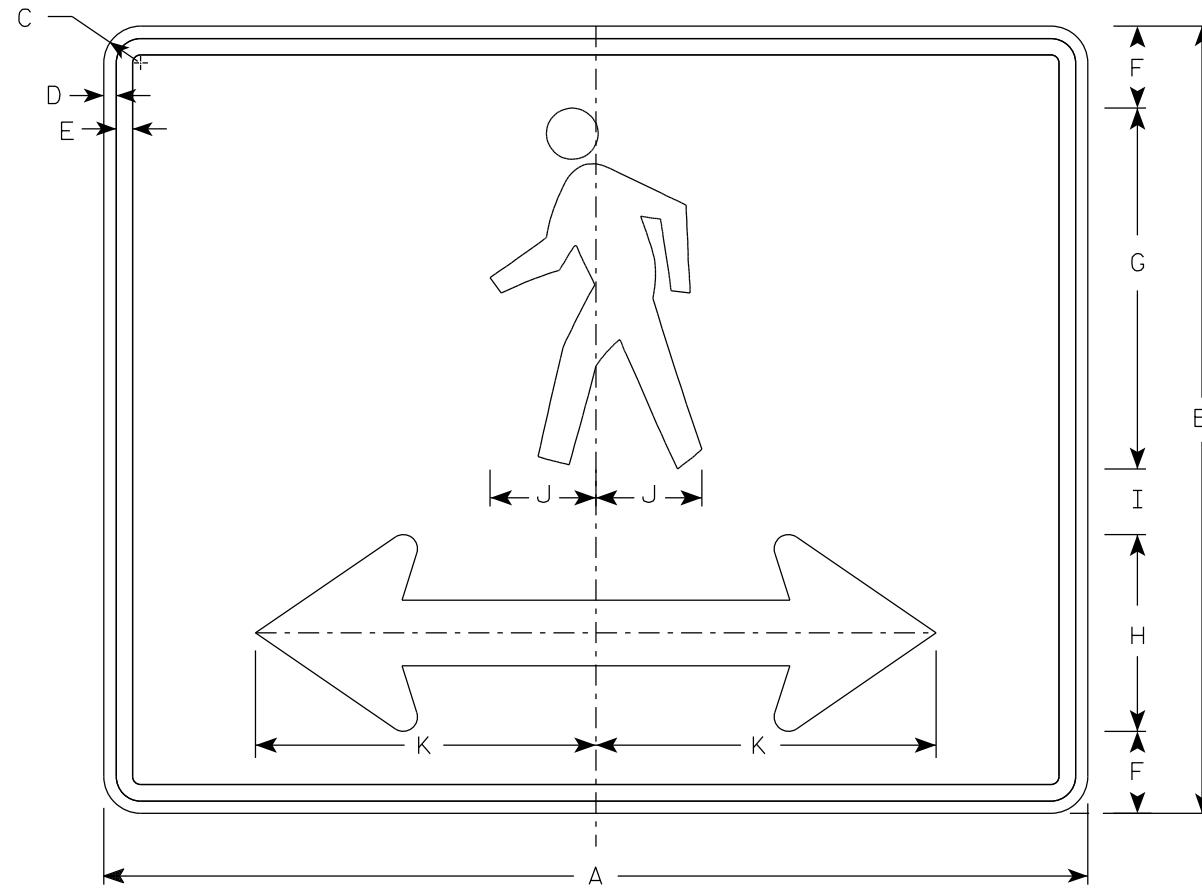
DATE 9/16/2021 PLATE NO. M4-60A.1

PROJECT NO: \_\_\_\_\_ HWY: \_\_\_\_\_ COUNTY: \_\_\_\_\_ SHEET NO: \_\_\_\_\_ **E**

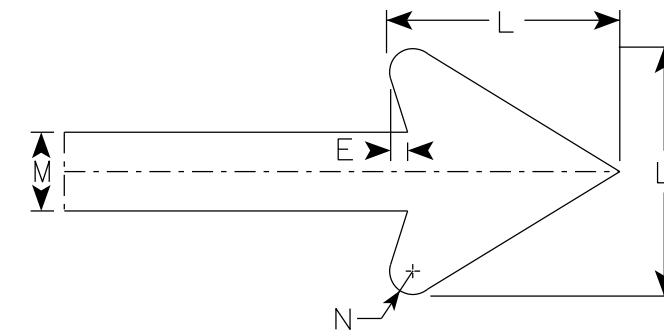


NOTES

1. Sign is Type II- Type F Reflective
2. Color:  
Background - Orange  
Message - Black
3. Corners may be square or rounded when base material is plywood but borders shall be rounded as shown. When base material is metal, the corners and borders shall be rounded.



M4-60D



Arrow Detail

SIZE	A	B	C	D	E	F	G	H	I	J	K	L	M	N	O	P	Q	R	S	T	U	V	W	X	Y	Z	Area sq. ft.
1																											
2	30	24	1 1/8	3/8	1/2	2 1/2	11	6	2	3 1/4	10 3/8	6	2	3/8													5.00
3																											
4																											
5																											

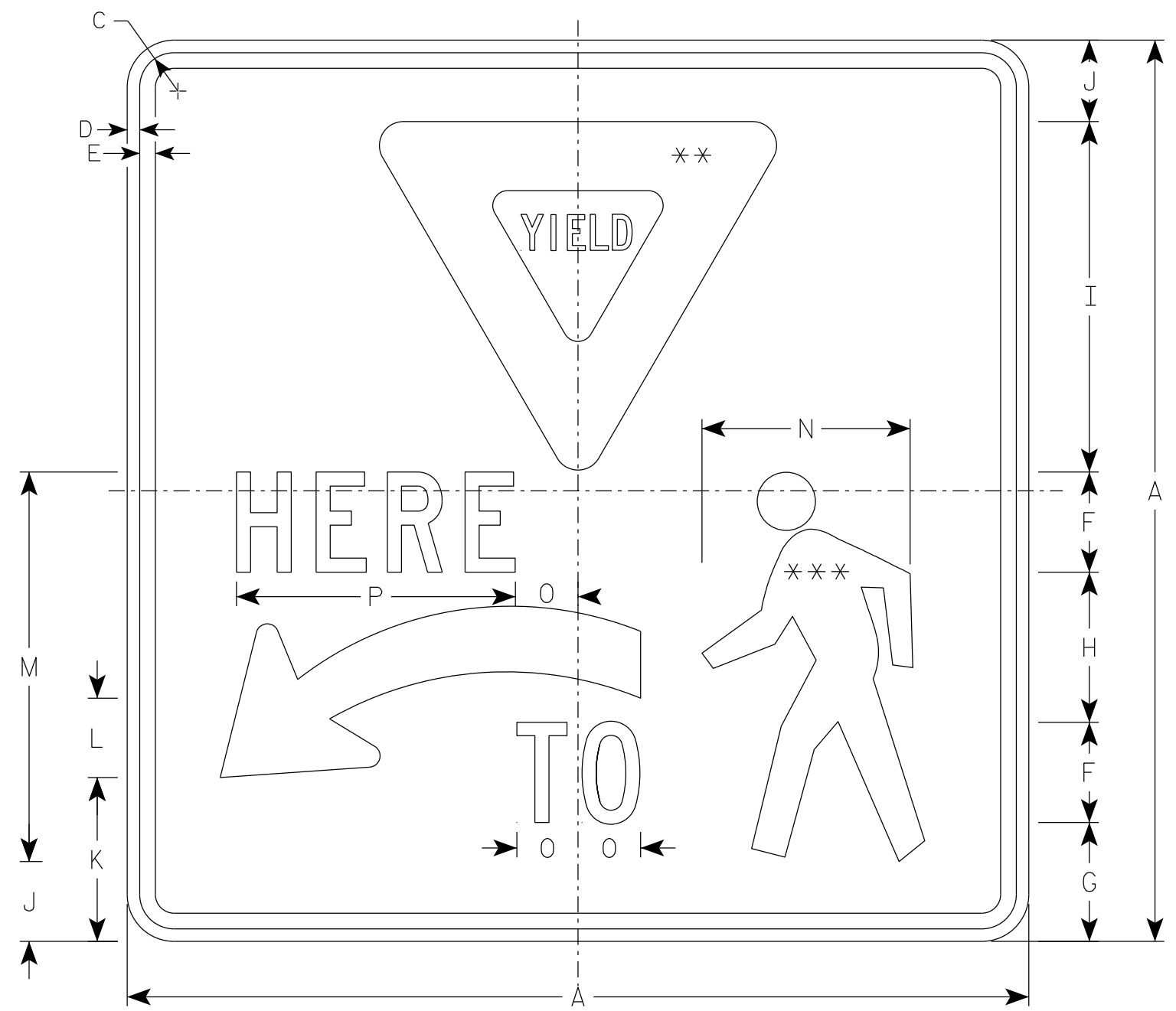
STANDARD SIGN  
M4-60D

WISCONSIN DEPT OF TRANSPORTATION

APPROVED *Matthew R Rauch*  
for State Traffic Engineer

DATE 11/18/2021 PLATE NO. M4-60D.1

PROJECT NO: \_\_\_\_\_ HWY: \_\_\_\_\_ COUNTY: \_\_\_\_\_ SHEET NO: \_\_\_\_\_ **E**



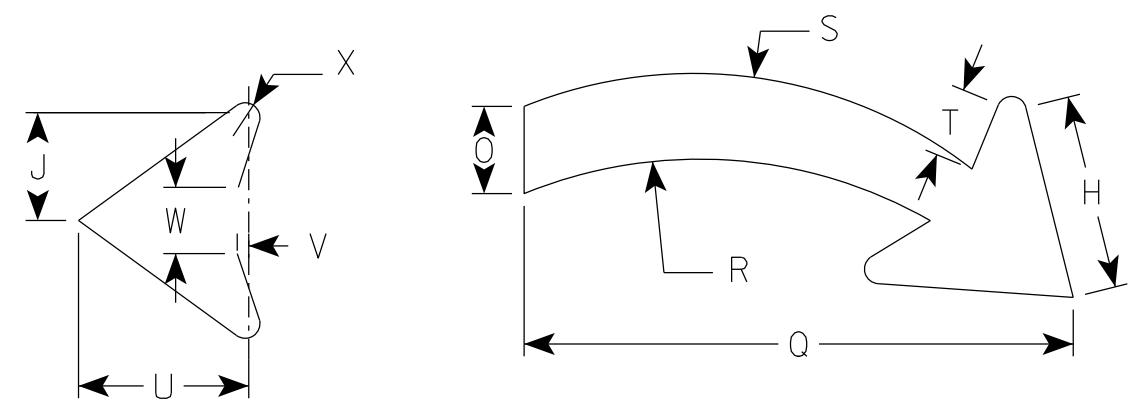
NOTES

1. Sign is Type II - Type H Reflective
2. Color:
  - Background - WHITE
  - Message - BLACK
  - YIELD SYMBOL - RED ON WHITE
  - PED SYMBOL - BLACK ON WHITE

3. Message Series - D

- \*\* INSERT R1-2 AND SIZE TO FIT
- \*\*\* INSERT W11-2 AND SIZE TO FIT

Arrow Detail



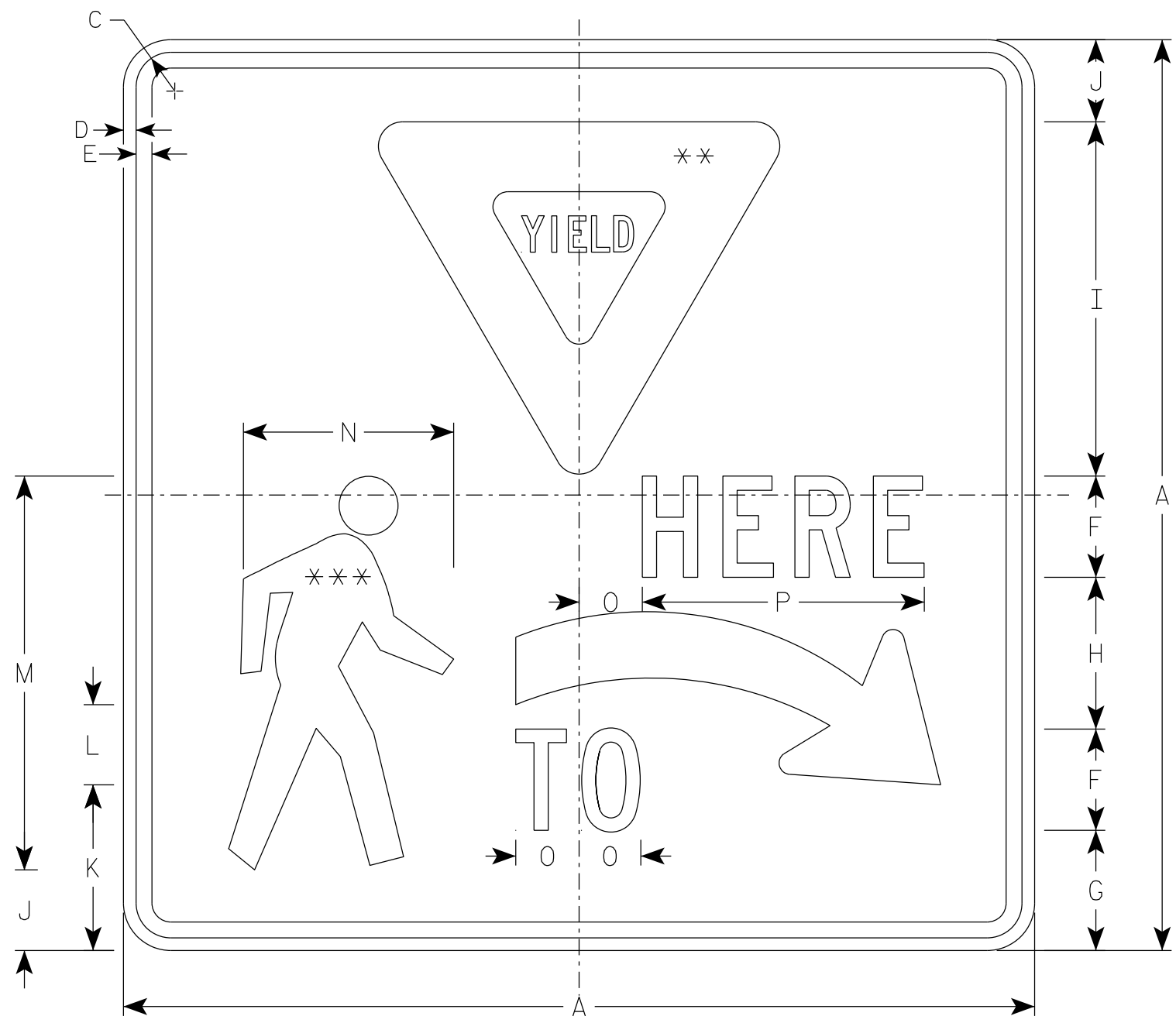
SIZE	A	B	C	D	E	F	G	H	I	J	K	L	M	N	O	P	Q	R	S	T	U	V	W	X	Y	Z	Area sq. ft.
1	36		1 3/8	1/2	5/8	4	4 3/4	6	14	3 1/4	6 1/2	3 1/8	15	8 1/4	2 1/2	11 1/8	16 3/4	28 1/2	27 3/4	2 1/8	5 1/4	3/8	2	1		9.0	
2S	36		1 3/8	1/2	5/8	4	4 3/4	6	14	3 1/4	6 1/2	3 1/8	15	8 1/4	2 1/2	11 1/8	16 3/4	28 1/2	27 3/4	2 1/8	5 1/4	3/8	2	1		9.0	
2M	36		1 3/8	1/2	5/8	4	4 3/4	6	14	3 1/4	6 1/2	3 1/8	15	8 1/4	2 1/2	11 1/8	16 3/4	28 1/2	27 3/4	2 1/8	5 1/4	3/8	2	1		9.0	
3	36		1 3/8	1/2	5/8	4	4 3/4	6	14	3 1/4	6 1/2	3 1/8	15	8 1/4	2 1/2	11 1/8	16 3/4	28 1/2	27 3/4	2 1/8	5 1/4	3/8	2	1		9.0	
4																											
5																											

STANDARD SIGN  
R1-5L

WISCONSIN DEPT OF TRANSPORTATION

APPROVED *Matthew R Rauch*  
For State Traffic Engineer

DATE 12/15/21 PLATE NO. R1-5L.5



R1-5R

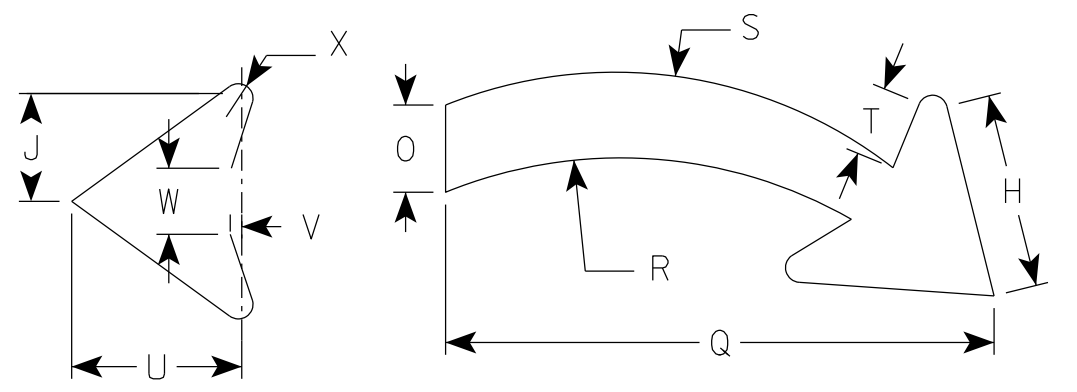
NOTES

1. Sign is Type II - Type H Reflective
2. Color:
  - Background - WHITE
  - Message - BLACK
  - YIELD SYMBOL - RED ON WHITE
  - PED SYMBOL - BLACK ON WHITE

3. Message Series - D

- \*\* INSERT R1-2 AND SIZE TO FIT
- \*\*\* INSERT W11-2 AND SIZE TO FIT

Arrow Detail



SIZE	A	B	C	D	E	F	G	H	I	J	K	L	M	N	O	P	Q	R	S	T	U	v	W	X	Y	Z	Area sq. ft.
1	36		1 3/8	1/2	5/8	4	4 3/4	6	14	3 1/4	6 1/2	3 1/8	15	8 1/4	2 1/2	11 1/8	16 3/4	28 1/2	27 3/4	2 1/8	5 1/4	3/8	2	1		9.0	
2S	36		1 3/8	1/2	5/8	4	4 3/4	6	14	3 1/4	6 1/2	3 1/8	15	8 1/4	2 1/2	11 1/8	16 3/4	28 1/2	27 3/4	2 1/8	5 1/4	3/8	2	1		9.0	
2M	36		1 3/8	1/2	5/8	4	4 3/4	6	14	3 1/4	6 1/2	3 1/8	15	8 1/4	2 1/2	11 1/8	16 3/4	28 1/2	27 3/4	2 1/8	5 1/4	3/8	2	1		9.0	
3	36		1 3/8	1/2	5/8	4	4 3/4	6	14	3 1/4	6 1/2	3 1/8	15	8 1/4	2 1/2	11 1/8	16 3/4	28 1/2	27 3/4	2 1/8	5 1/4	3/8	2	1		9.0	
4																											
5																											

STANDARD SIGN  
R1-5R

WISCONSIN DEPT OF TRANSPORTATION

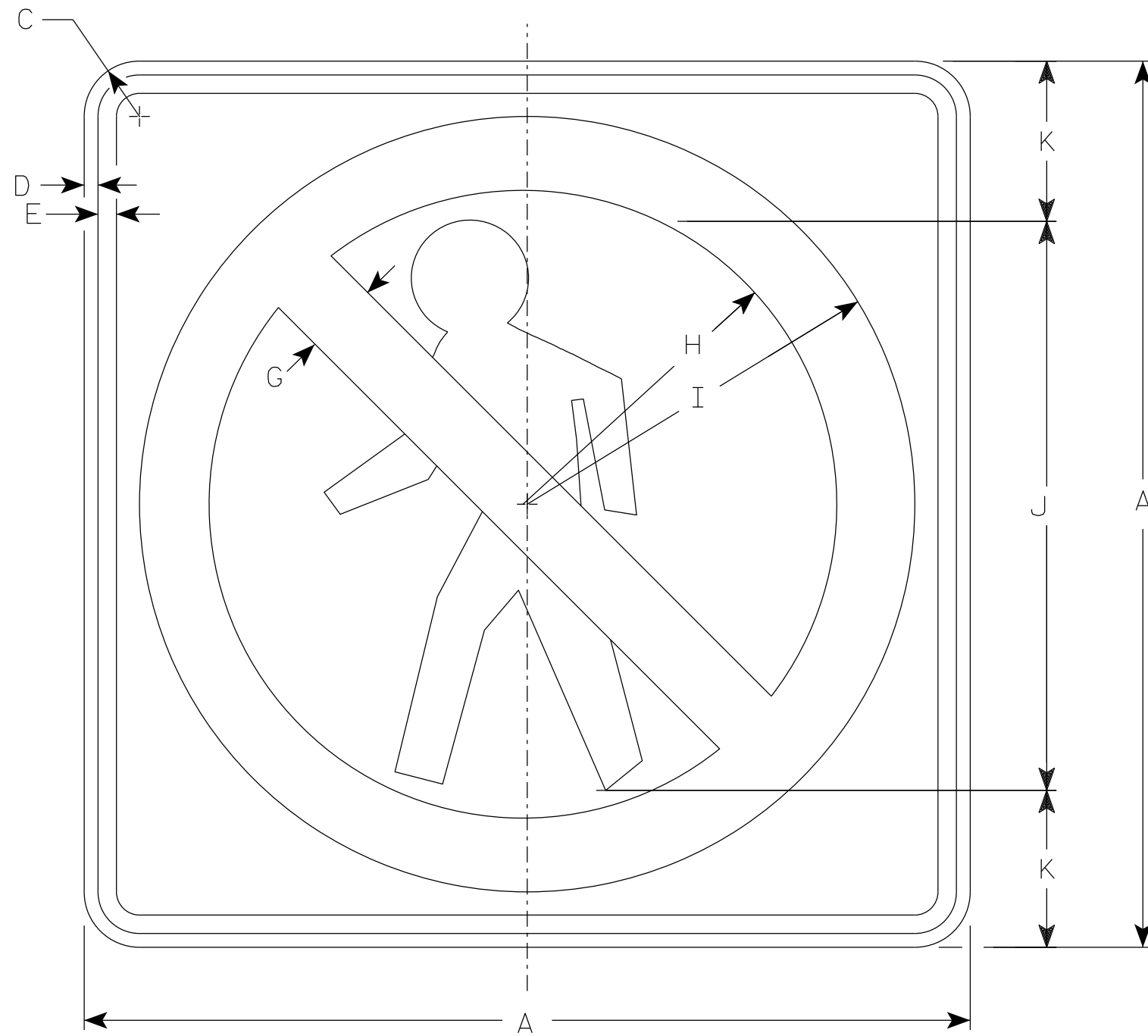
APPROVED *Matthew R Rauch*  
For State Traffic Engineer

DATE 12/15/21 PLATE NO. R1-5R.5

PROJECT NO: \_\_\_\_\_ HWY: \_\_\_\_\_ COUNTY: \_\_\_\_\_ SHEET NO: **E**

7

7



R9-3A

NOTES

1. Sign is Type II - Type H Reflective
2. Color:  
Background - White  
Message - See note 3
3. Border & Pedestrian are non-reflective black.  
Circle with diagonal bar is reflective red.

7

7

SIZE	A	B	C	D	E	F	G	H	I	J	K	L	M	N	O	P	Q	R	S	T	U	V	W	X	Y	Z	Area sq. ft.
1	18		1 1/8	3/8	3/8		1 1/2	6 1/4	7 7/8	12	3																2.25
2S	24		1 1/8	3/8	1/2		2	8 1/2	10 1/2	15	4																4.00
2M	24		1 1/8	3/8	1/2		2	8 1/2	10 1/2	15	4																4.00
3																											
4																											
5																											

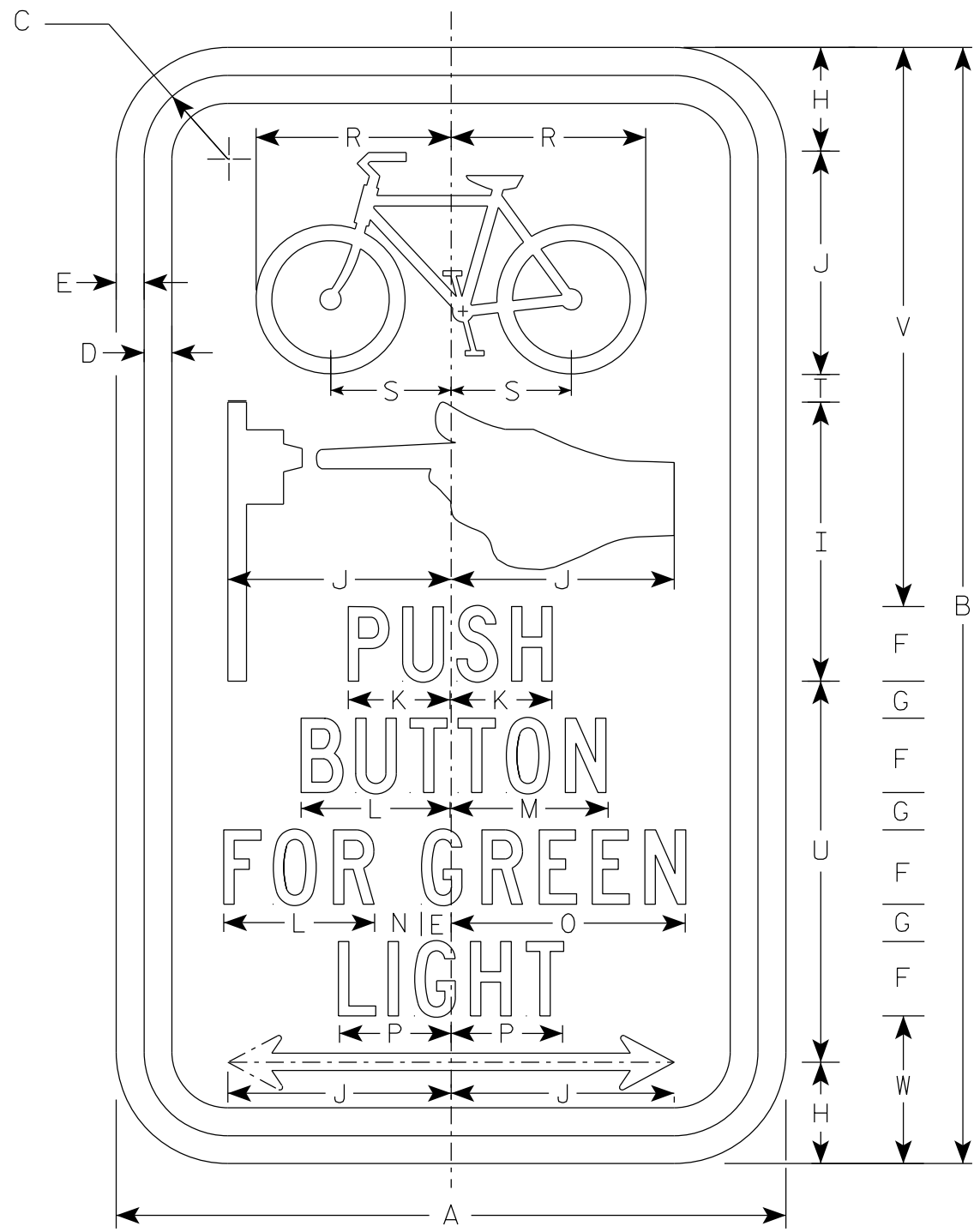
STANDARD SIGN  
R9-3A

WISCONSIN DEPT OF TRANSPORTATION

APPROVED *Matthew R Rauch*  
for State Traffic Engineer

DATE 12/22/21 PLATE NO. R9-3A.3

PROJECT NO: \_\_\_\_\_ HWY: \_\_\_\_\_ COUNTY: \_\_\_\_\_ SHEET NO: **E**



R10-26

NOTES

1. Sign is Type II - Type H Reflective
2. Color:  
Background - White  
Message - Black
3. Message Series - C
4. R10-26D (double arrow)  
R10-26L (left arrow)  
R10-26R (right arrow)

7

7

SIZE	A	B	C	D	E	F	G	H	I	J	K	L	M	N	O	P	Q	R	S	T	U	V	W	X	Y	Z	Area sq. ft.
1																											
2S	9	15	1 1/8	3/8	3/8	1	1/2	1 3/8	3 3/4	3	1 3/8	2	2 1/8	5/8	3 1/8	1 1/2		2 5/8	1 5/8	3/8	5 1/8	7 1/2	2				.94
2M	9	15	1 1/8	3/8	3/8	1	1/2	1 3/8	3 3/4	3	1 3/8	2	2 1/8	5/8	3 1/8	1 1/2		2 5/8	1 5/8	3/8	5 1/8	7 1/2	2				.94
3																											
4																											
5																											

STANDARD SIGN  
R10-26

WISCONSIN DEPT OF TRANSPORTATION

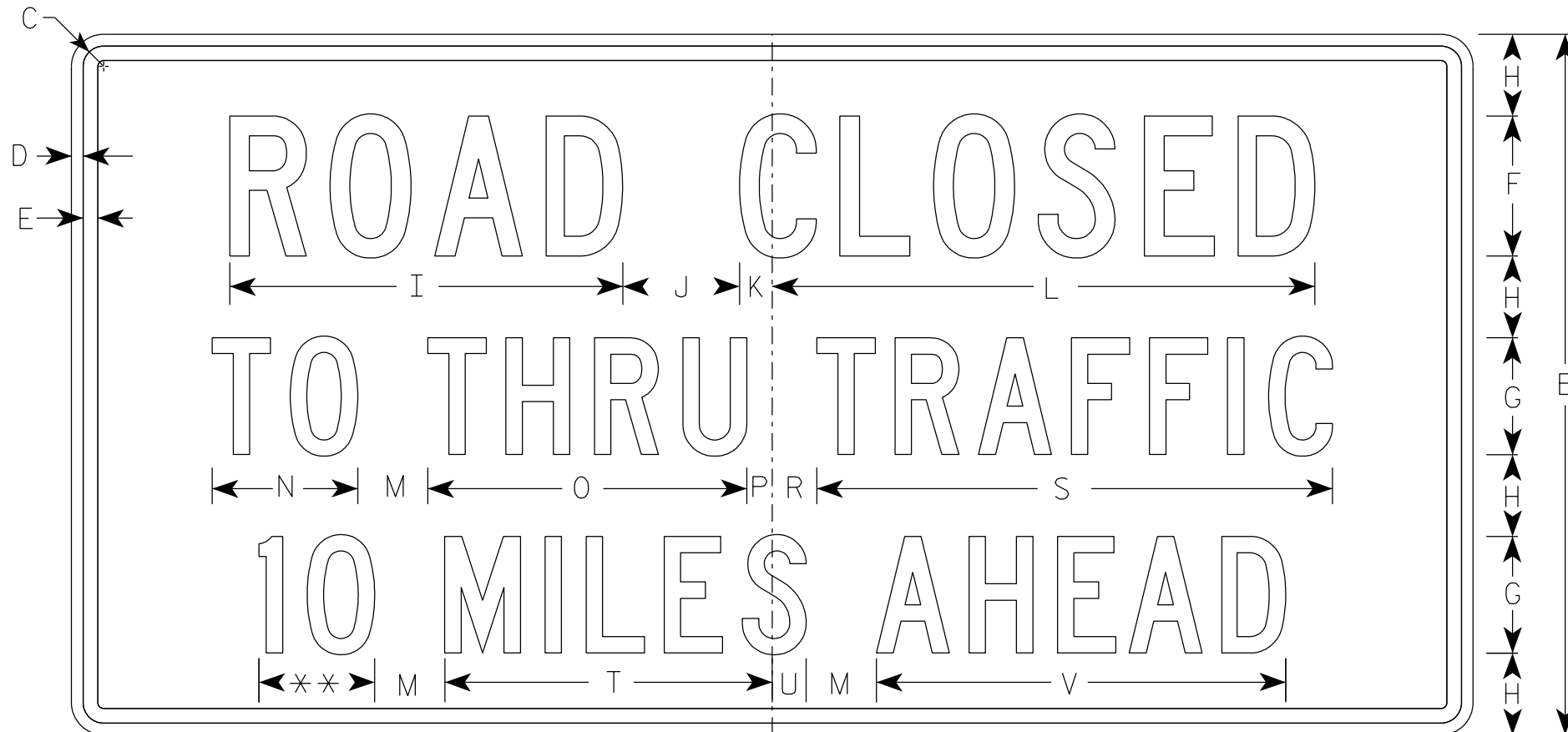
APPROVED *Matthew R. Rauch*  
For State Traffic Engineer

DATE 11/18/2021 PLATE NO. R10-26.3

PROJECT NO: \_\_\_\_\_ HWY: \_\_\_\_\_ COUNTY: \_\_\_\_\_ SHEET NO: \_\_\_\_\_ **E**

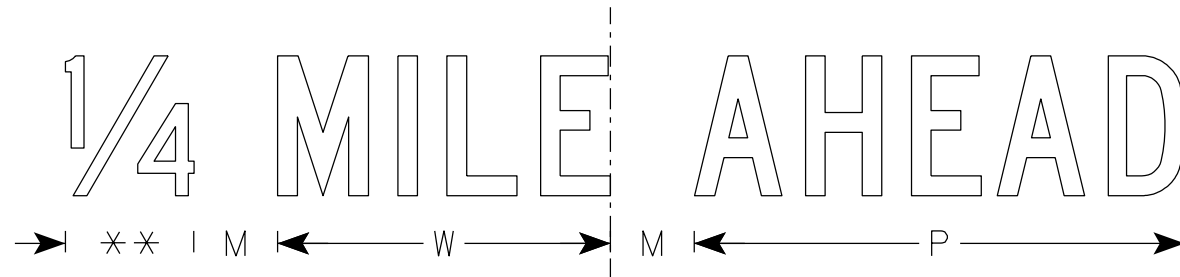
NOTES

1. Sign is Type II - Type H Reflective
2. Color:  
Background - White  
Message - Black
3. Message Series - C
4. Corners may be square or rounded when base material is plywood but borders shall be rounded as shown. When base material is metal, the corners and borders shall be rounded.
5. Substitute appropriate numerals to nearest quarter mile and optically adjust spacing to achieve proper balance.



R11-3

\*\* See Note 5



SIZE	A	B	C	D	E	F	G	H	I	J	K	L	M	N	O	P	Q	R	S	T	U	V	W	X	Y	Z	Area sq. ft.
1	36	18	1 1/4	3/8	3/8	4	3	2	11 1/4	3	1 1/8	15 3/8	2	3 3/4	8 1/4	5/8		1 3/8	13 1/4	8 3/8	7/8	10 1/2	7 1/8			4.5	
2S	60	30	1 3/8	1/2	5/8	6	5	3 1/2	16 7/8	5	1 3/8	23 1/4	3	6 1/4	13 5/8	1 1/8		1 7/8	22 1/8	14	1 1/2	17 1/2	11 7/8			12.5	
2M	60	30	1 3/8	1/2	5/8	6	5	3 1/2	16 7/8	5	1 3/8	23 1/4	3	6 1/4	13 5/8	1 1/8		1 7/8	22 1/8	14	1 1/2	17 1/2	11 7/8			12.5	
3																											
4																											
5																											

STANDARD SIGN  
R11-3

WISCONSIN DEPT OF TRANSPORTATION

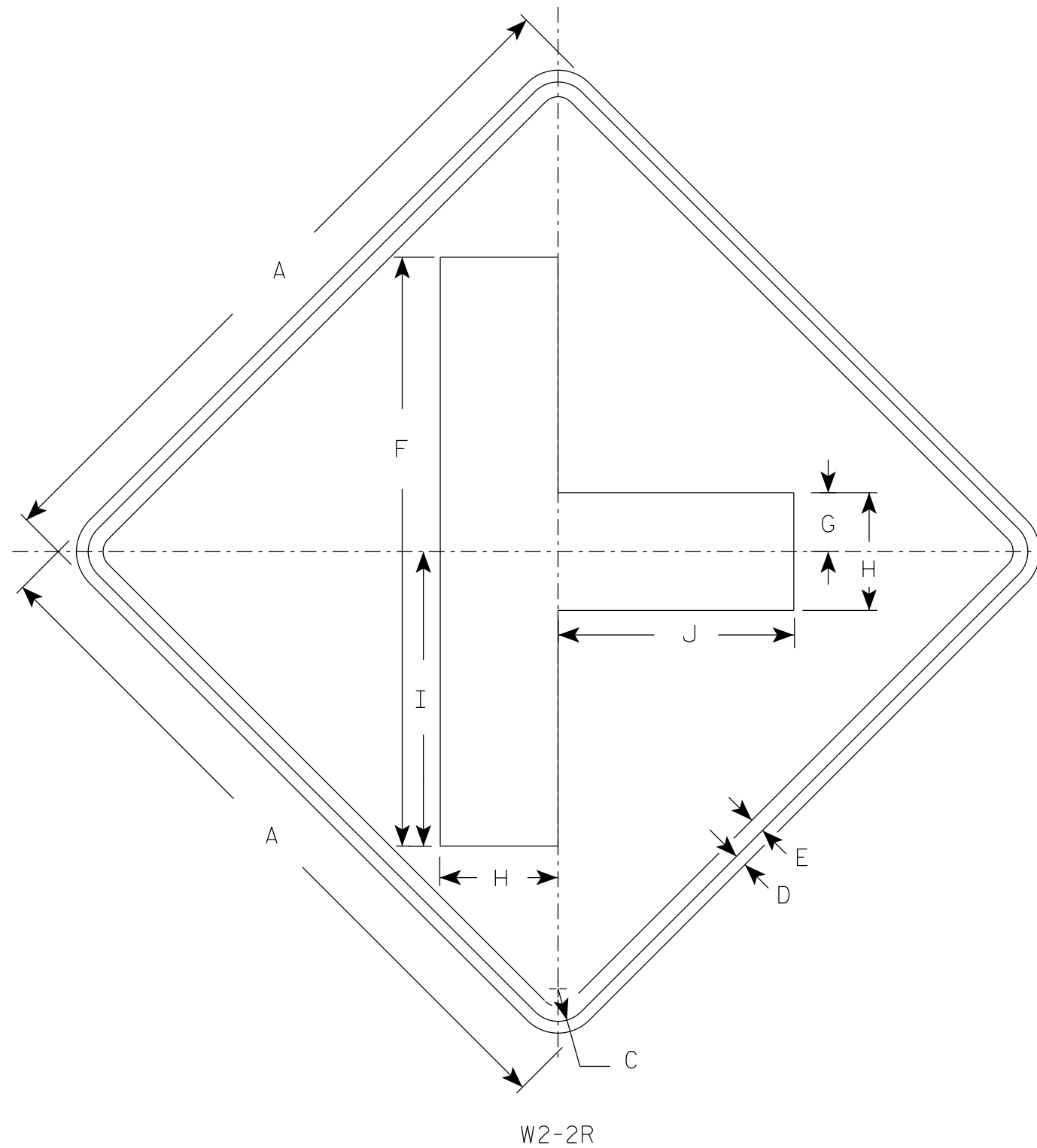
APPROVED *Matthew R. Rauch*  
for State Traffic Engineer

DATE 6/14/2021 PLATE NO. R11-3.9

PROJECT NO: \_\_\_\_\_ HWY: \_\_\_\_\_ COUNTY: \_\_\_\_\_ SHEET NO: \_\_\_\_\_ **E**

NOTES

1. Sign is Type II - Type F Reflective
2. Color:  
Background - Yellow  
Message - Black
3. W2-2L same as W2-2R but is rotated 180° when mounted.



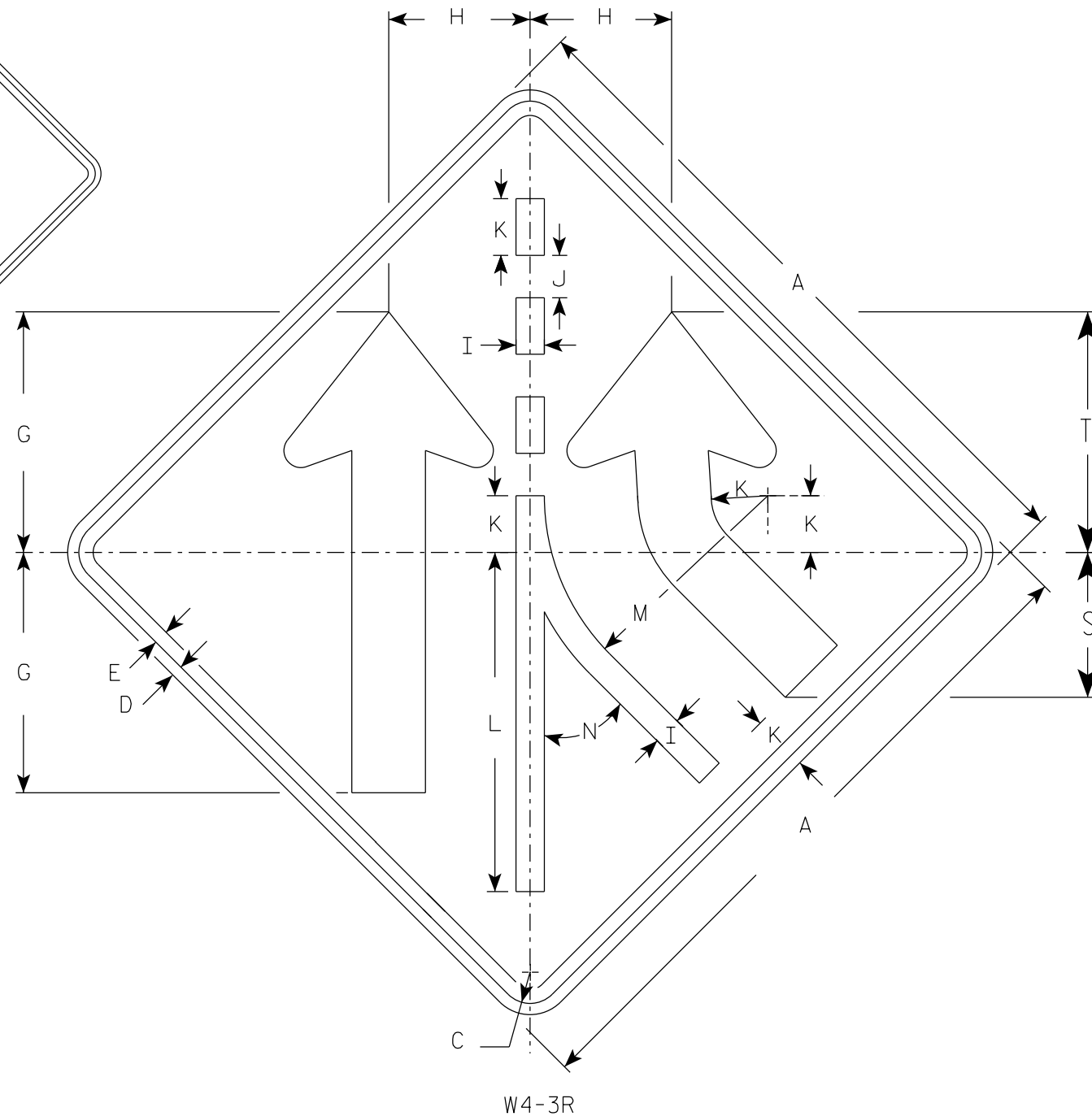
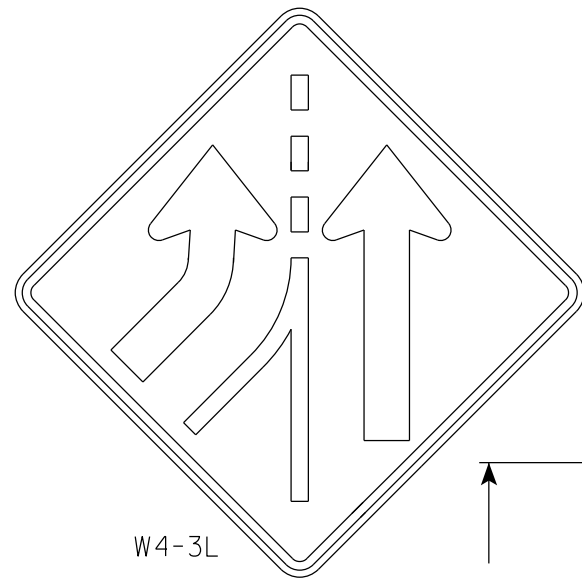
W2-2R

SIZE	A	B	C	D	E	F	G	H	I	J	K	L	M	N	O	P	Q	R	S	T	U	V	W	X	Y	Z	Area sq. ft.
1	24		1 1/8	3/8	1/2	20	2	4	10	8																	4.0
2S	30		1 3/8	1/2	5/8	25	2 1/2	5	12 1/2	10																	6.25
2M	30		1 3/8	1/2	5/8	25	2 1/2	5	12 1/2	10																	6.25
3	36		1 5/8	5/8	3/4	30	3	6	15	12																	9.0
4	48		2 1/4	3/4	1	40	4	8	20	16																	16.0
5																											

STANDARD SIGN  
W2-2 L&R

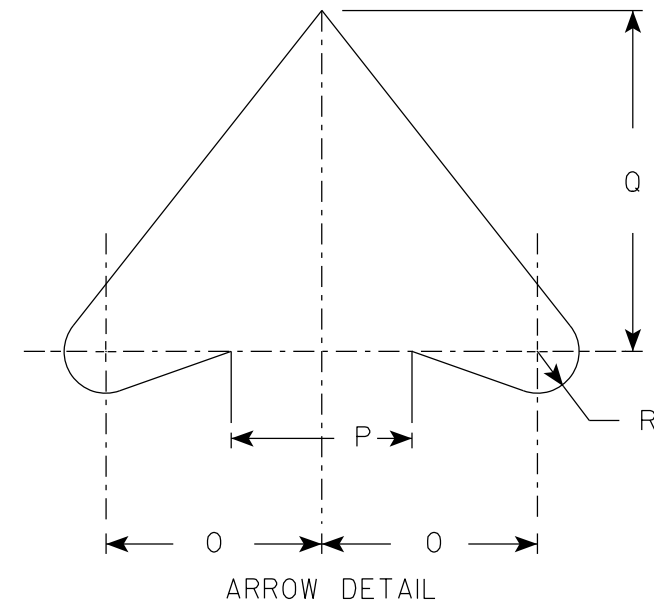
WISCONSIN DEPT OF TRANSPORTATION  
 APPROVED *Matthew R Rauch*  
 for State Traffic Engineer  
 DATE 11/18/2021 PLATE NO. W2-2.7

PROJECT NO: \_\_\_\_\_ HWY: \_\_\_\_\_ COUNTY: \_\_\_\_\_ SHEET NO: \_\_\_\_\_ **E**



**NOTES**

1. Sign is Type II - Type F Reflective
2. Color:  
Background - Yellow  
Message - Black
3. Corners may be square or rounded when base material is plywood but borders shall be rounded as shown. When base material is metal, the corners and borders shall be rounded.
4. W4-3 L is the same as W4-3 R except the arrow is reversed along the vertical centerline.



SIZE	A	B	C	D	E	F	G	H	I	J	K	L	M	N	O	P	Q	R	S	T	U	V	W	X	Y	Z	Area sq. ft.
1	30		1 3/8	1/2	5/8		10 5/8	6 1/4	1 1/4	1 7/8	2 1/2	15	9 7/8	45°	3 7/8	3 1/4	6 1/8	3/4	6 3/8	10 5/8							6.25
2S	36		1 5/8	5/8	3/4		12 3/4	7 1/2	1 1/2	2 1/4	3	18	11 7/8	45°	4 5/8	4	7 3/8	7/8	7 3/4	12 3/4							9.0
2M	36		1 5/8	5/8	3/4		12 3/4	7 1/2	1 1/2	2 1/4	3	18	11 7/8	45°	4 5/8	4	7 3/8	7/8	7 3/4	12 3/4							9.0
3	36		1 5/8	5/8	3/4		12 3/4	7 1/2	1 1/2	2 1/4	3	18	11 7/8	45°	4 5/8	4	7 3/8	7/8	7 3/4	12 3/4							9.0
4	48		2 1/4	3/4	1		17	10	2	3	4	24	15 3/4	45°	6 1/4	5 1/2	9 7/8	1 1/4	10 1/4	17							16.0
5	48		2 1/4	3/4	1		17	10	2	3	4	24	15 3/4	45°	6 1/4	5 1/2	9 7/8	1 1/4	10 1/4	17							16.0

**STANDARD SIGN**  
**W4-3**

WISCONSIN DEPT OF TRANSPORTATION

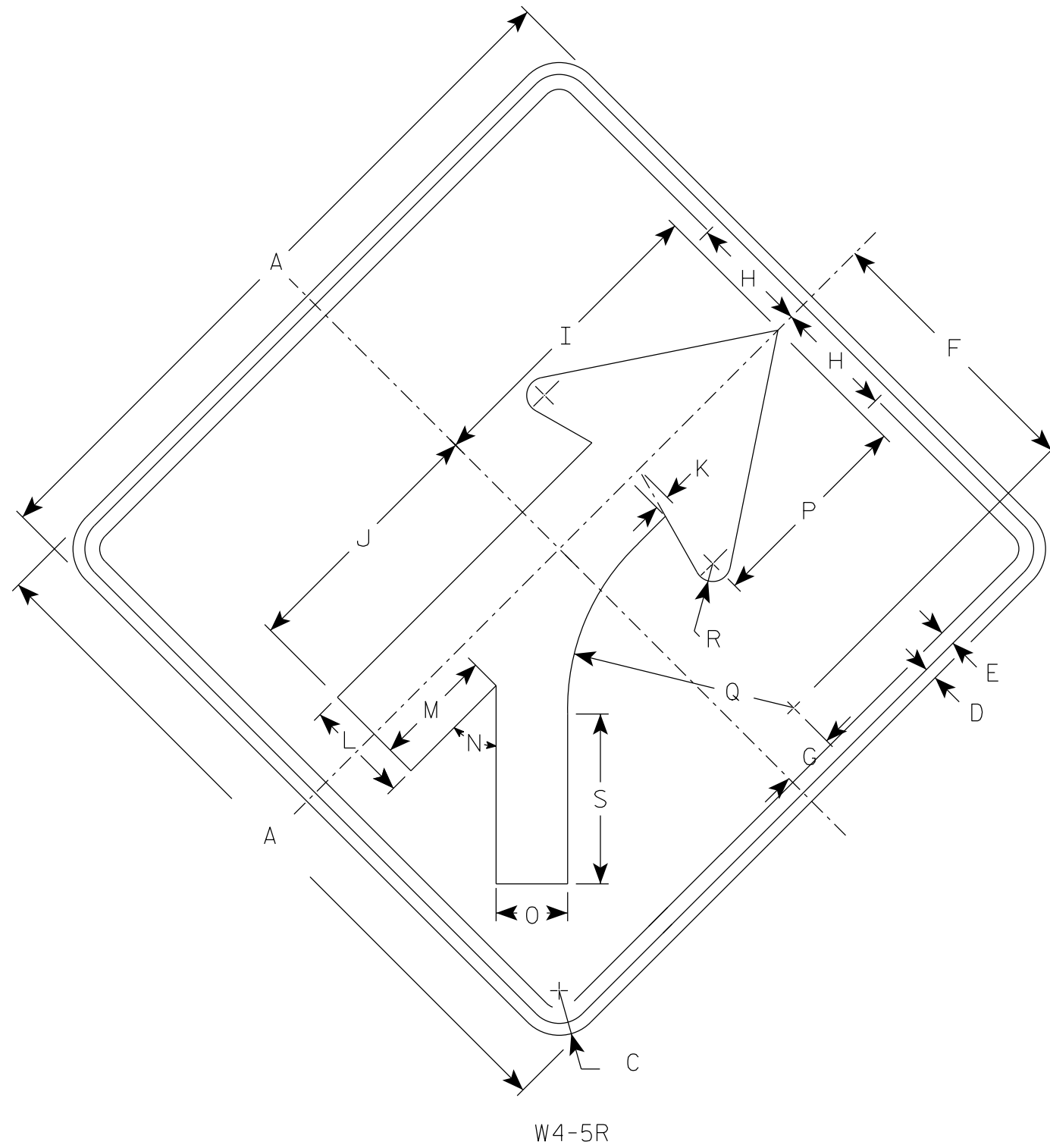
APPROVED *Matthew R. Rauch*  
for State Traffic Engineer

DATE 12/06/2021 PLATE NO. W4-3.9



NOTES

1. Sign is Type II - Type F Reflective
2. Color:  
Background - Yellow  
Message - Black
3. W4-5L is the same as W4-5R except the arrow is reversed along the vertical centerline.



W4-5R

SIZE	A	B	C	D	E	F	G	H	I	J	K	L	M	N	O	P	Q	R	S	T	U	V	W	X	Y	Z	Area sq. ft.
1	30		1 3/8	3/8	1/2	11 5/8	2 1/2	5	13	11	5/8	4 3/8	5 1/8	45°	3	8 7/8	9 1/2	3/4	7 1/8								6.25
2S	36		1 5/8	5/8	3/4	14	2 3/4	6	15 3/4	13 1/4	3/4	5 1/4	6 1/8	45°	3 5/8	10 5/8	11 3/8	7/8	8 1/2								9.0
2M	36		1 5/8	5/8	3/4	14	2 3/4	6	15 3/4	13 1/4	3/4	5 1/4	6 1/8	45°	3 5/8	10 5/8	11 3/8	7/8	8 1/2								9.0
3	36		1 5/8	5/8	3/4	14	2 3/4	6	15 3/4	13 1/4	3/4	5 1/4	6 1/8	45°	3 5/8	10 5/8	11 3/8	7/8	8 1/2								9.0
4	48		2 1/4	3/4	1	18 3/4	3 5/8	8	20 1/2	17 1/2	1	7	8 1/8	45°	4 3/4	14 1/4	15 1/4	1 1/4	11 3/8								16.0
5	48		2 1/4	3/4	1	18 3/4	3 5/8	8	20 1/2	17 1/2	1	7	8 1/8	45°	4 3/4	14 1/4	15 1/4	1 1/4	11 3/8								16.0

STANDARD SIGN  
W4-5

WISCONSIN DEPT OF TRANSPORTATION

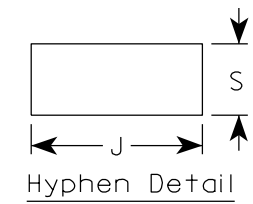
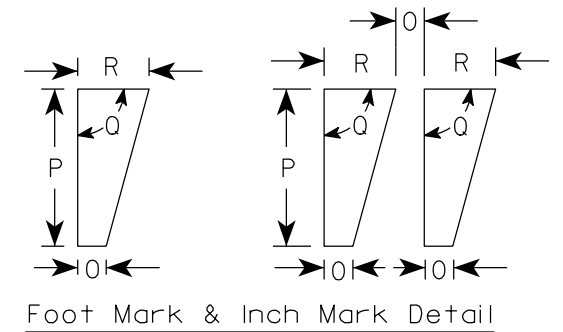
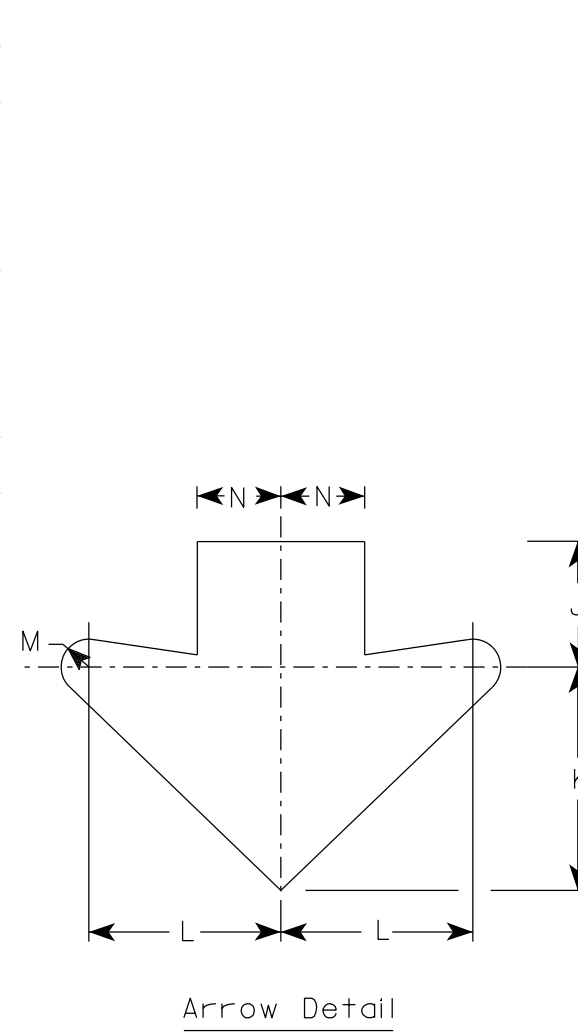
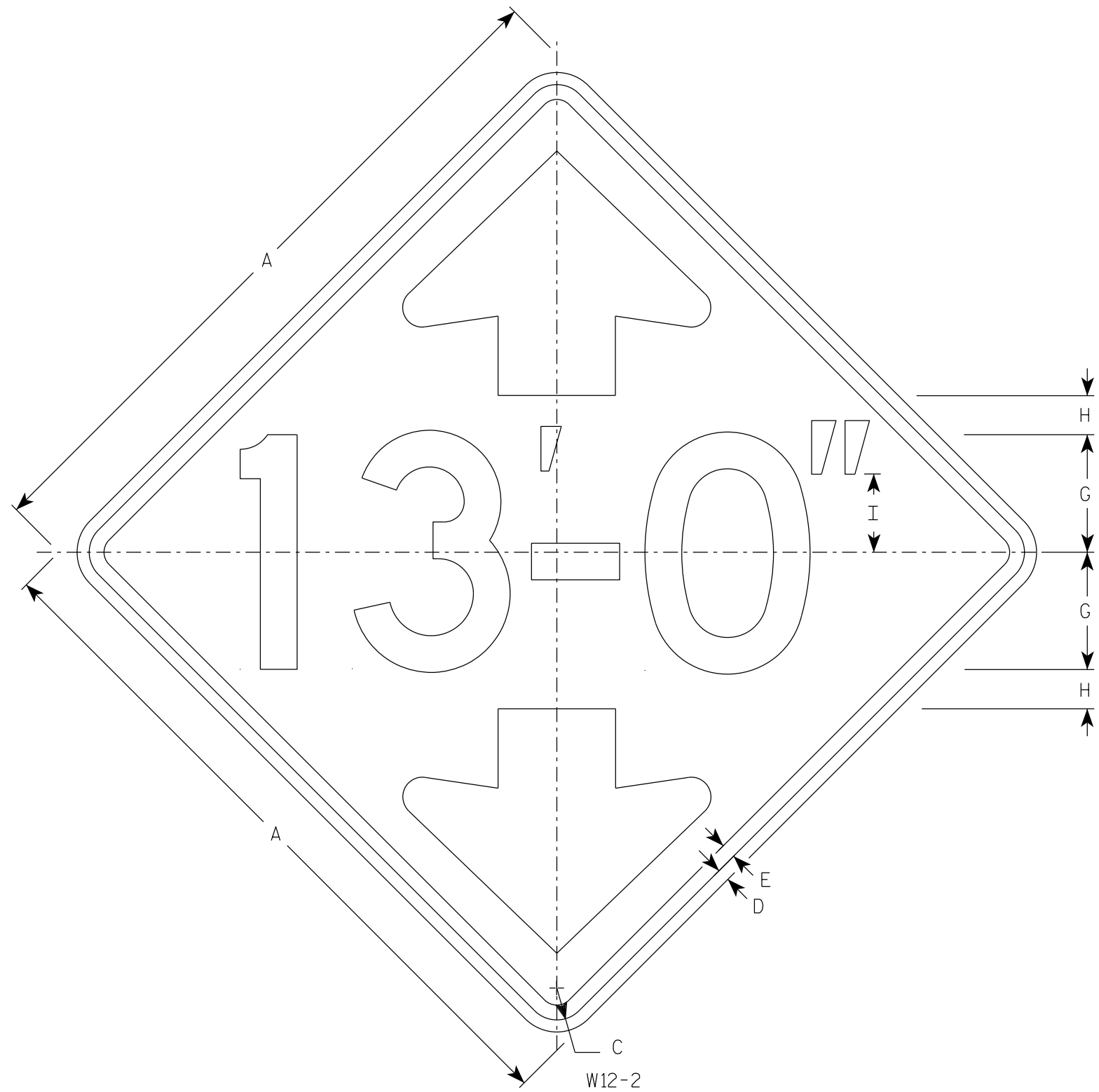
APPROVED *Matthew R Rauch*  
for State Traffic Engineer

DATE 12/06/2021 PLATE NO. W4-5.1

PROJECT NO: HWY: COUNTY: SHEET NO: **E**

NOTES

1. Sign is Type II - Type F Reflective
2. Color:  
Background - Yellow  
Message - Black
3. Message Series - D
4. Substitute appropriate numerals and optically adjust spacing of numerals, hyphen, foot & inch marks to achieve proper balance.



SIZE	A	B	C	D	E	F	G	H	I	J	K	L	M	N	O	P	Q	R	S	T	U	V	W	X	Y	Z	Area sq. ft.
1	30		1 3/8	1/2	5/8		5	1 5/8	3 3/8	3 3/4	6 5/8	5 3/4	3/4	2 1/2	1/2	2 1/4	90°	1	1 5/8								6.25
2S	36		1 5/8	5/8	3/4		6	2	4	4 1/2	8	6 7/8	1	3	1/2	2 3/4	90°	1 1/4	1 7/8								9.00
2M	36		1 5/8	5/8	3/4		6	2	4	4 1/2	8	6 7/8	1	3	1/2	2 3/4	90°	1 1/4	1 7/8								9.00
3	36		1 5/8	5/8	3/4		6	2	4	4 1/2	8	6 7/8	1	3	1/2	2 3/4	90°	1 1/4	1 7/8								9.00
4	36		1 5/8	5/8	3/4		6	2	4	4 1/2	8	6 7/8	1	3	1/2	2 3/4	90°	1 1/4	1 7/8								9.00
5	48		2 1/4	3/4	1		8	2 5/8	5 1/2	5 7/8	10 5/8	9 1/4	1 3/8	4	5/8	3 5/8	90°	1 5/8	2 1/2								16.00

STANDARD SIGN  
W12-2

WISCONSIN DEPT OF TRANSPORTATION

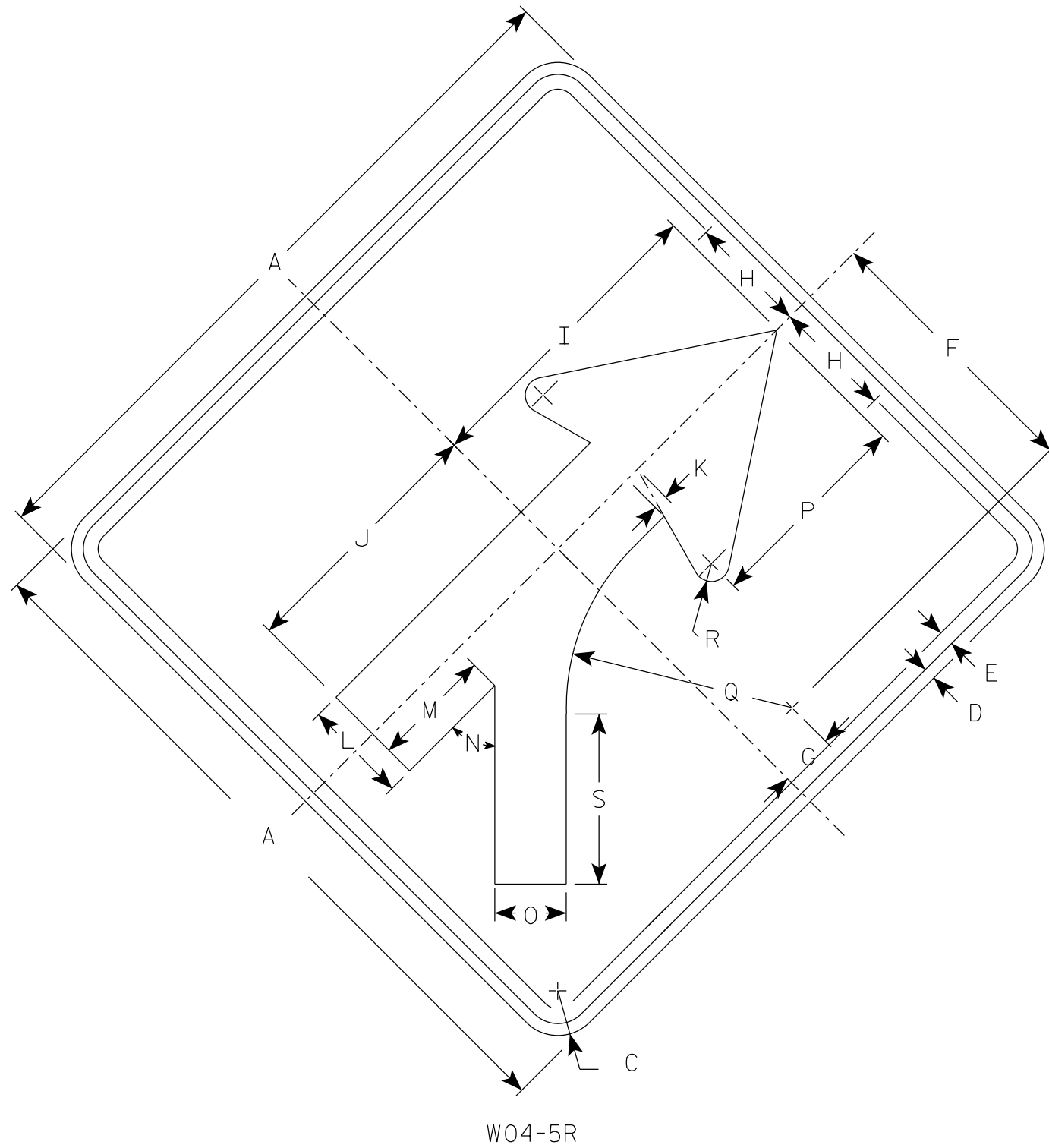
APPROVED *Matthew R. Rauch*  
For State Traffic Engineer

DATE 12/06/2021 PLATE NO. W12-2.10

PROJECT NO: \_\_\_\_\_ HWY: \_\_\_\_\_ COUNTY: \_\_\_\_\_ SHEET NO: \_\_\_\_\_ E

NOTES

1. Sign is Type II - Type F Reflective
2. Color:  
Background - Orange  
Message - Black
3. Corners may be square or rounded when base material is plywood but borders shall be rounded as shown. When base material is metal, the corners and borders shall be rounded.
4. W04-5L is the same as W04-5R except the arrow is reversed along the vertical centerline.



W04-5R

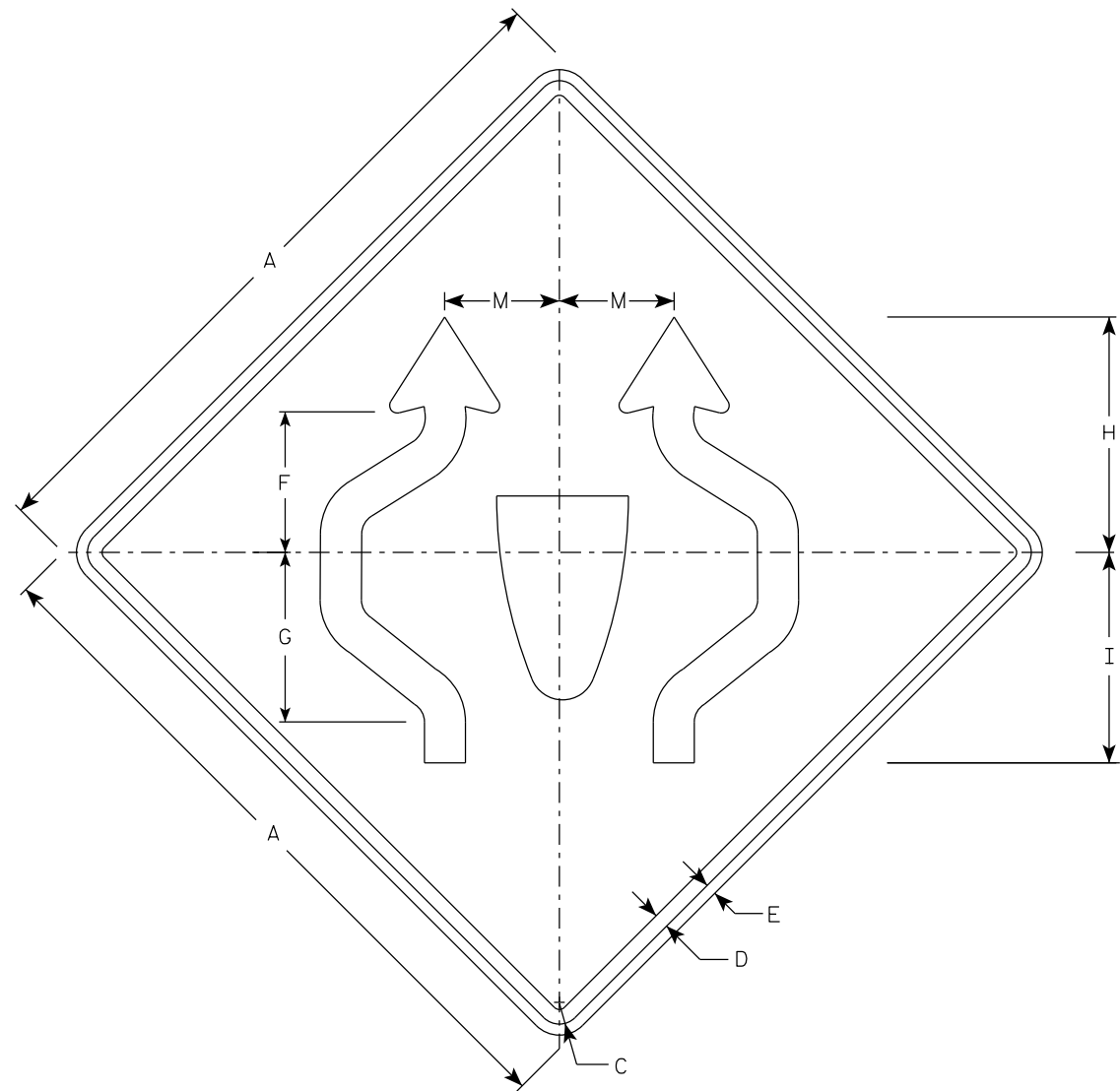
SIZE	A	B	C	D	E	F	G	H	I	J	K	L	M	N	O	P	Q	R	S	T	U	V	W	X	Y	Z	Area sq. ft.
1	36		1 5/8	5/8	3/4	14	2 3/4	6	15 3/4	13 1/4	3/4	5 1/4	6 1/8	45°	3 5/8	10 5/8	11 3/8	7/8	8 1/2								9.0
2S	48		2 1/4	3/4	1	18 3/4	3 5/8	8	20 1/2	17 1/2	1	7	8 1/8	45°	4 3/4	14 1/4	15 1/4	1 1/4	11 3/8								16.0
2M	48		2 1/4	3/4	1	18 3/4	3 5/8	8	20 1/2	17 1/2	1	7	8 1/8	45°	4 3/4	14 1/4	15 1/4	1 1/4	11 3/8								16.0
3	48		2 1/4	3/4	1	18 3/4	3 5/8	8	20 1/2	17 1/2	1	7	8 1/8	45°	4 3/4	14 1/4	15 1/4	1 1/4	11 3/8								16.0
4	48		2 1/4	3/4	1	18 3/4	3 5/8	8	20 1/2	17 1/2	1	7	8 1/8	45°	4 3/4	14 1/4	15 1/4	1 1/4	11 3/8								16.0
5	48		2 1/4	3/4	1	18 3/4	3 5/8	8	20 1/2	17 1/2	1	7	8 1/8	45°	4 3/4	14 1/4	15 1/4	1 1/4	11 3/8								16.0

STANDARD SIGN  
W04-5

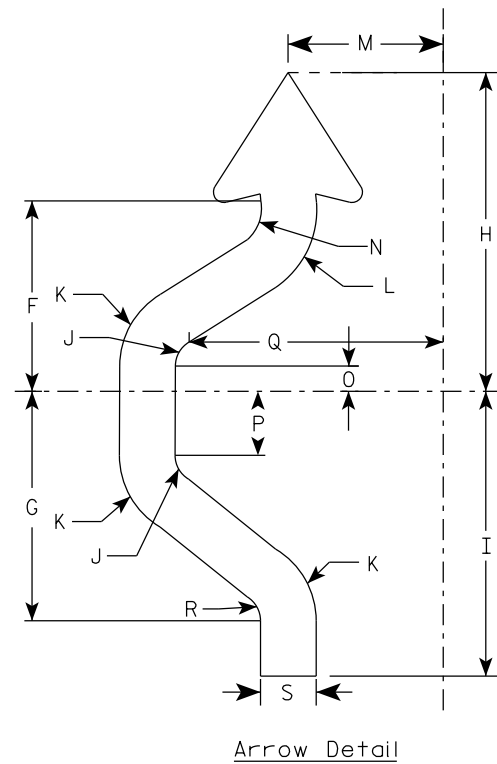
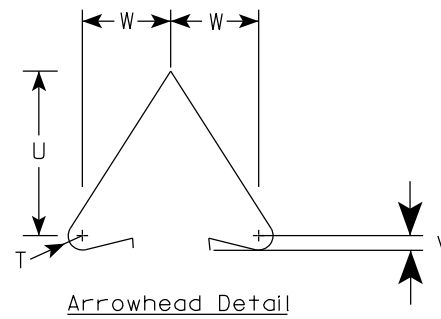
WISCONSIN DEPT OF TRANSPORTATION

APPROVED *Matthew R Rauch*  
for State Traffic Engineer

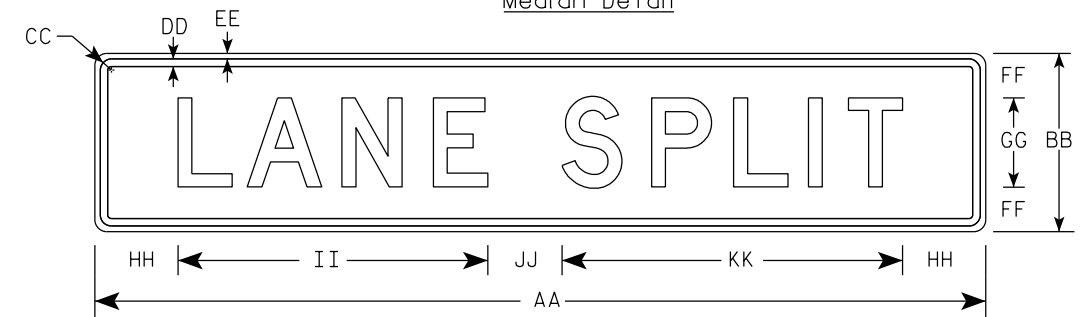
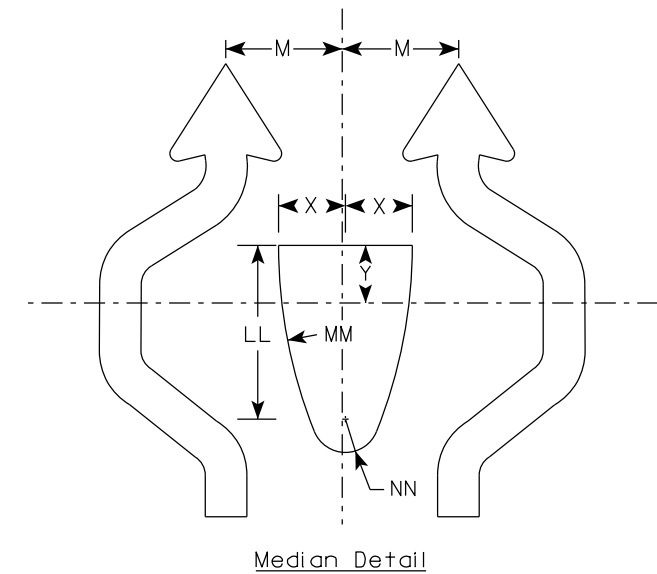
DATE 12/06/2021 PLATE NO. W04-5.2



W06-50



- NOTES**
1. Sign is Type II - Type F Reflective
  2. Color:  
Background - Orange  
Message - Black
  3. Message Series - D
  4. Corners may be square or rounded when base material is plywood but borders shall be rounded as shown. When base material is metal, the corners and borders shall be rounded.



W06-50P

SIZE	A	B	C	D	E	F	G	H	I	J	K	L	M	N	O	P	Q	R	S	T	U	V	W	X	Y	Z	W06-50 Area sq. ft.	W06-50P Area sq. ft.
1																												
2S	48		2 1/4	1	3/4	9 5/8	11 5/8	16 3/8	14 3/8	1 3/8	4 1/4	4 3/4	7 7/8	2 1/8	1 1/4	3 1/4	12 7/8	1 3/8	2 3/4	1/2	5 3/4	1/2	3 1/4	4 1/2	3 7/8		16.0	5.0
2M	48		2 1/4	1	3/4	9 5/8	11 5/8	16 3/8	14 3/8	1 3/8	4 1/4	4 3/4	7 7/8	2 1/8	1 1/4	3 1/4	12 7/8	1 3/8	2 3/4	1/2	5 3/4	1/2	3 1/4	4 1/2	3 7/8		16.0	5.0
3	48		2 1/4	1	3/4	9 5/8	11 5/8	16 3/8	14 3/8	1 3/8	4 1/4	4 3/4	7 7/8	2 1/8	1 1/4	3 1/4	12 7/8	1 3/8	2 3/4	1/2	5 3/4	1/2	3 1/4	4 1/2	3 7/8		16.0	5.0
4	48		2 1/4	1	3/4	9 5/8	11 5/8	16 3/8	14 3/8	1 3/8	4 1/4	4 3/4	7 7/8	2 1/8	1 1/4	3 1/4	12 7/8	1 3/8	2 3/4	1/2	5 3/4	1/2	3 1/4	4 1/2	3 7/8		16.0	5.0
5	48		2 1/4	1	3/4	9 5/8	11 5/8	16 3/8	14 3/8	1 3/8	4 1/4	4 3/4	7 7/8	2 1/8	1 1/4	3 1/4	12 7/8	1 3/8	2 3/4	1/2	5 3/4	1/2	3 1/4	4 1/2	3 7/8		16.0	5.0

SIZE	AA	BB	CC	DD	EE	FF	GG	HH	II	JJ	KK	LL	MM	NN	OO	PP	QQ	RR	SS	TT	UU	VV	WW	XX	YY	ZZ
1																										
2S	60	12	1 1/4	1/2	3/8	3	6	5 5/8	20 7/8	5	22 7/8	11 3/4	33 3/4	2 1/4												
2M	60	12	1 1/4	1/2	3/8	3	6	5 5/8	20 7/8	5	22 7/8	11 3/4	33 3/4	2 1/4												
3	60	12	1 1/4	1/2	3/8	3	6	5 5/8	20 7/8	5	22 7/8	11 3/4	33 3/4	2 1/4												
4	60	12	1 1/4	1/2	3/8	3	6	5 5/8	20 7/8	5	22 7/8	11 3/4	33 3/4	2 1/4												
5	60	12	1 1/4	1/2	3/8	3	6	5 5/8	20 7/8	5	22 7/8	11 3/4	33 3/4	2 1/4												

STANDARD SIGN  
W06-50

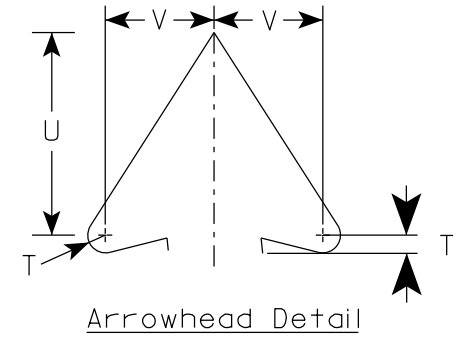
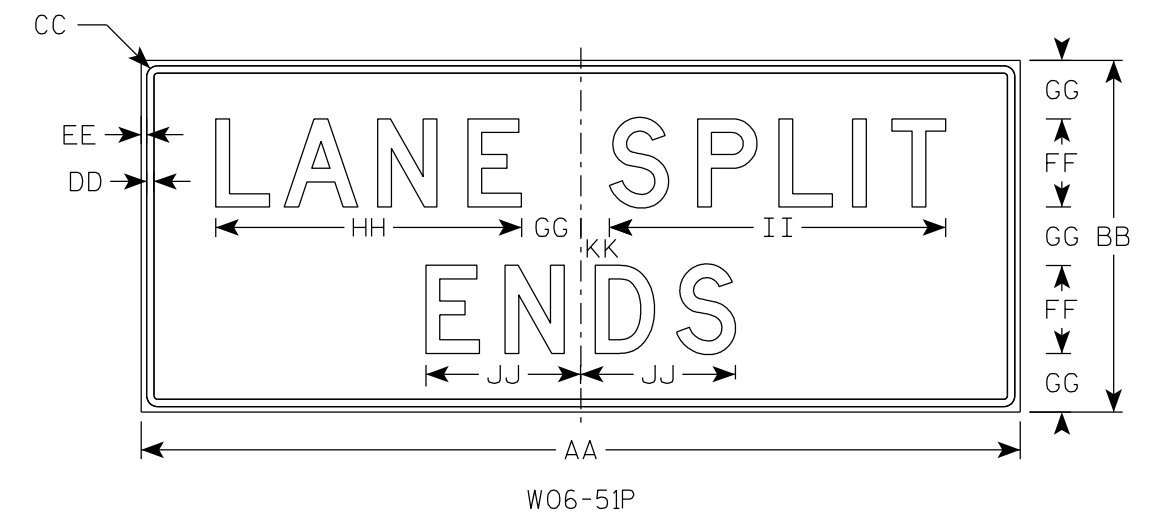
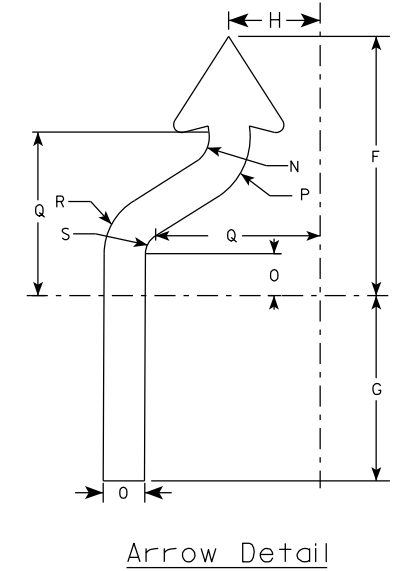
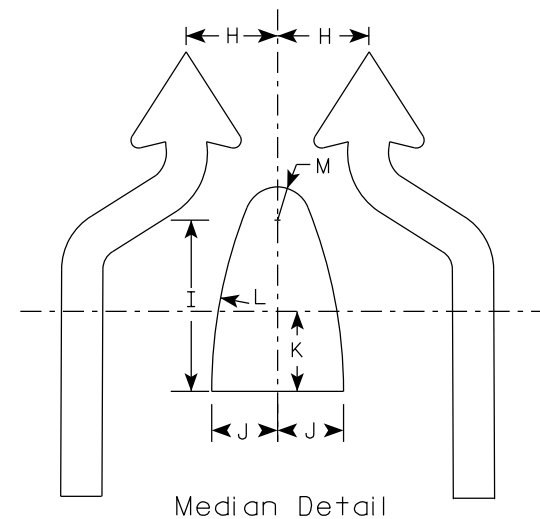
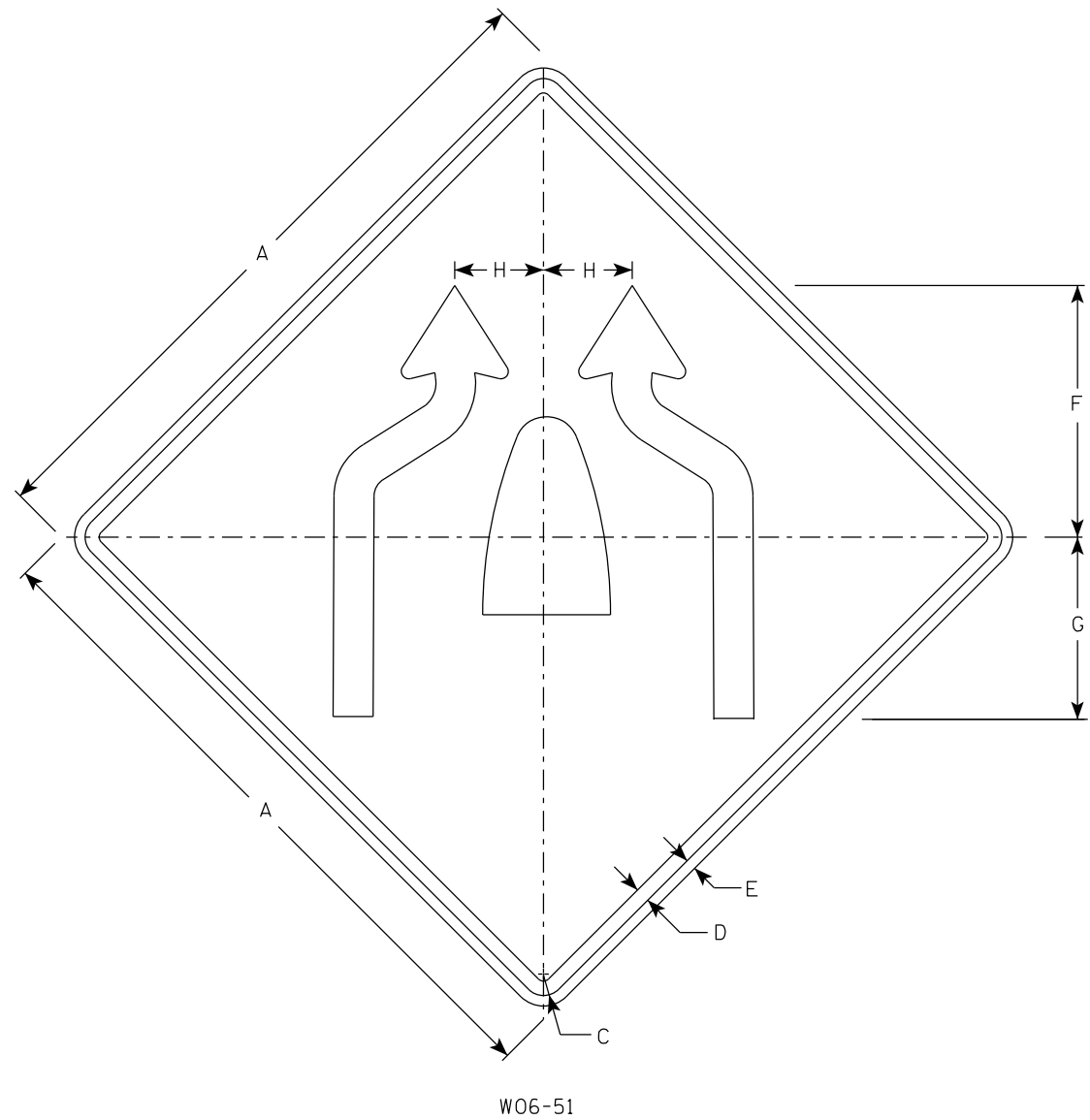
WISCONSIN DEPT OF TRANSPORTATION

APPROVED *Matthew R Rauch*  
For State Traffic Engineer

DATE 9/16/2021 PLATE NO. W06-50.2

NOTES

1. Sign is Type II - Type F Reflective
2. Color:  
Background - Orange  
Message - Black
3. Message Series - D
4. Corners may be square or rounded when base material is plywood but borders shall be rounded as shown. When base material is metal, the corners and borders shall be rounded.



7

7

SIZE	A	B	C	D	E	F	G	H	I	J	K	L	M	N	O	P	Q	R	S	T	U	V	W	X	Y	Z	SP-1 Area sq. ft.	SP-2 Area sq. ft.
1																												
2S	48		2 1/4	1	3/4	17 3/4	12 7/8	6 1/4	11 3/4	4 1/2	5 1/2	33 3/4	2 1/4	2 1/8	2 3/4	4 3/4	11 1/4	4 1/4	1 3/8	1/2	5 3/4	3 1/4					16.0	10.0
2M	48		2 1/4	1	3/4	17 3/4	12 7/8	6 1/4	11 3/4	4 1/2	5 1/2	33 3/4	2 1/4	2 1/8	2 3/4	4 3/4	11 1/4	4 1/4	1 3/8	1/2	5 3/4	3 1/4					16.0	10.0
3	48		2 1/4	1	3/4	17 3/4	12 7/8	6 1/4	11 3/4	4 1/2	5 1/2	33 3/4	2 1/4	2 1/8	2 3/4	4 3/4	11 1/4	4 1/4	1 3/8	1/2	5 3/4	3 1/4					16.0	10.0
4	48		2 1/4	1	3/4	17 3/4	12 7/8	6 1/4	11 3/4	4 1/2	5 1/2	33 3/4	2 1/4	2 1/8	2 3/4	4 3/4	11 1/4	4 1/4	1 3/8	1/2	5 3/4	3 1/4					16.0	10.0
5	48		2 1/4	1	3/4	17 3/4	12 7/8	6 1/4	11 3/4	4 1/2	5 1/2	33 3/4	2 1/4	2 1/8	2 3/4	4 3/4	11 1/4	4 1/4	1 3/8	1/2	5 3/4	3 1/4					16.0	10.0

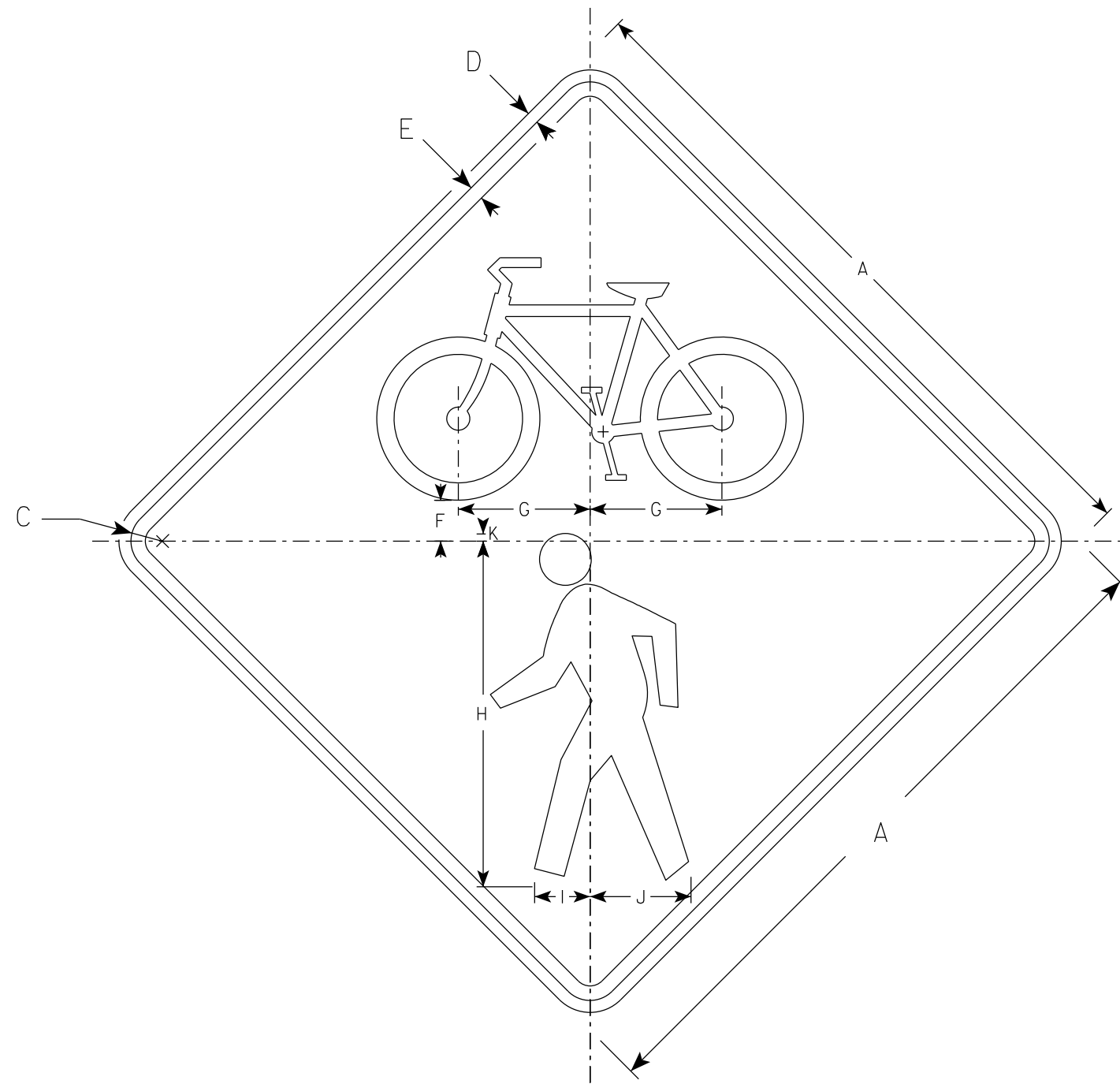
SIZE	AA	BB	CC	DD	EE	FF	GG	HH	II	JJ	KK	LL	MM	NN	OO	PP	OO	RR	SS	TT	UU	VV	WW	XX	YY	ZZ
1																										
2S	60	24	1 1/8	1/2	3/8	6	4	20 7/8	22 7/8	10 1/2	2															
2M	60	24	1 1/8	1/2	3/8	6	4	20 7/8	22 7/8	10 1/2	2															
3	60	24	1 1/8	1/2	3/8	6	4	20 7/8	22 7/8	10 1/2	2															
4	60	24	1 1/8	1/2	3/8	6	4	20 7/8	22 7/8	10 1/2	2															
5	60	24	1 1/8	1/2	3/8	6	4	20 7/8	22 7/8	10 1/2	2															

STANDARD SIGN  
W06-51

WISCONSIN DEPT OF TRANSPORTATION

APPROVED *Matthew R Rauch*  
for State Traffic Engineer

DATE 9/20/2021 PLATE NO. W06-51.1



W011-15

NOTES

1. Sign is Type II - Type F Reflective
2. Color:  
Background - Orange  
Message - Black
3. Corners may be square or rounded when base material is plywood but borders shall be rounded as shown. When base material is metal, the corners and borders shall be rounded.

7

7

SIZE	A	B	C	D	E	F	G	H	I	J	K	L	M	N	O	P	Q	R	S	T	U	V	W	X	Y	Z	Area sq. ft.
1	36		1 5/8	5/8	3/4	2 1/8	6 7/8	18	2 7/8	5 1/4	3/8																9.0
2S	48		2 1/4	3/4	1	2 7/8	9 1/8	24	3 7/8	7	1/2																16.0
2M	48		2 1/4	3/4	1	2 7/8	9 1/8	24	3 7/8	7	1/2																16.0
3	48		2 1/4	3/4	1	2 7/8	9 1/8	24	3 7/8	7	1/2																16.0
4	48		2 1/4	3/4	1	2 7/8	9 1/8	24	3 7/8	7	1/2																16.0
5	48		2 1/4	3/4	1	2 7/8	9 1/8	24	3 7/8	7	1/2																16.0

STANDARD SIGN  
W011-15

WISCONSIN DEPT OF TRANSPORTATION

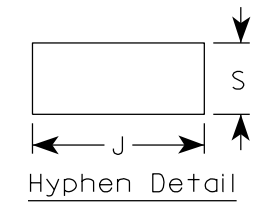
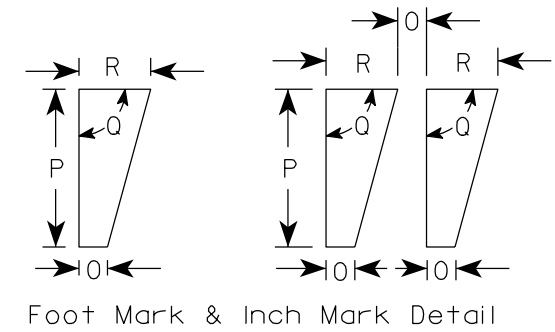
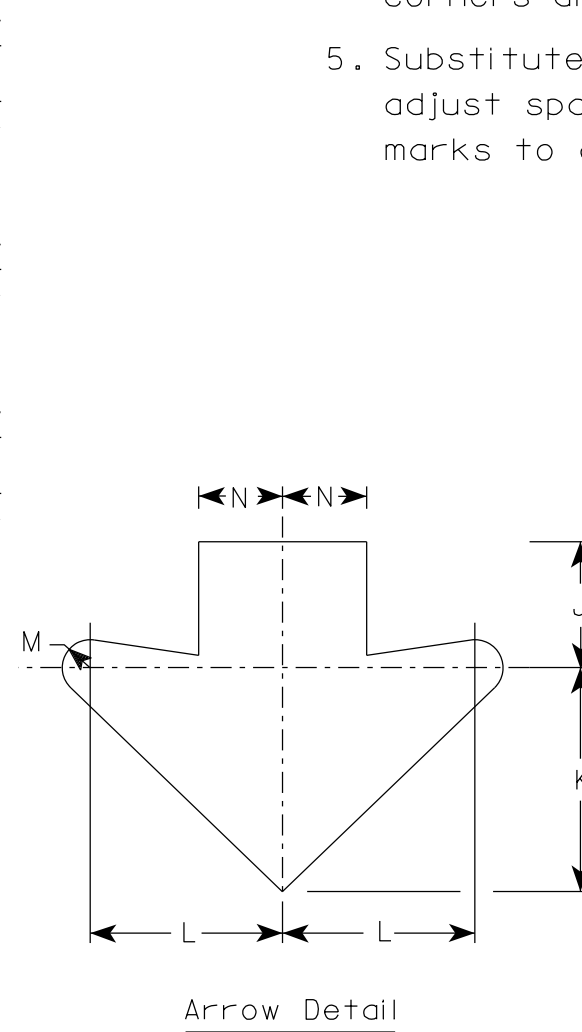
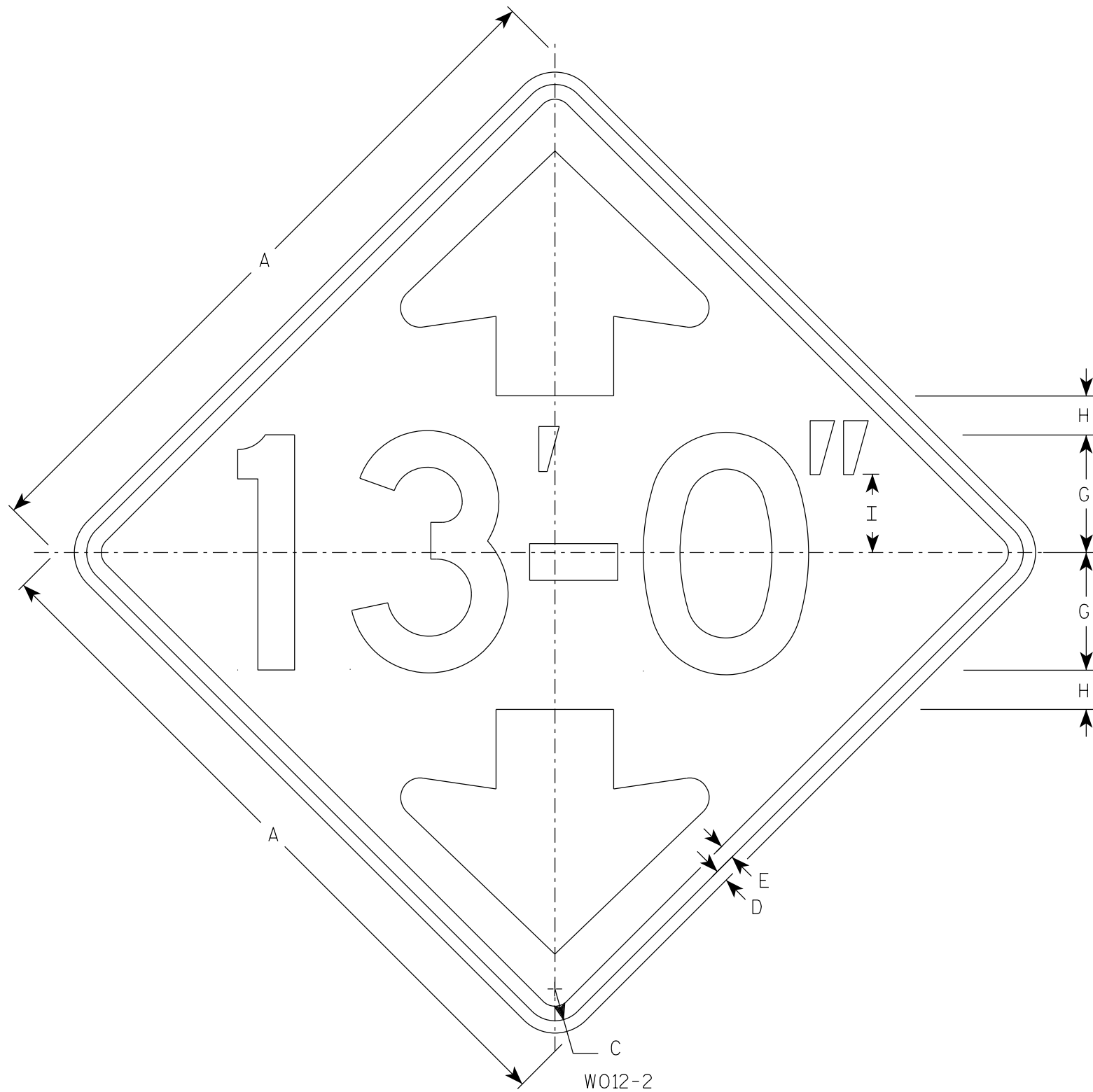
APPROVED *Matthew R. Rauch*  
for State Traffic Engineer

DATE 12/22/21 PLATE NO. W011-15.1

PROJECT NO: \_\_\_\_\_ HWY: \_\_\_\_\_ COUNTY: \_\_\_\_\_ SHEET NO: **E**

NOTES

1. Sign is Type II - Type F Reflective
2. Color:  
Background - Orange  
Message - Black
3. Message Series - D
4. Corners may be square or rounded when base material is plywood but borders shall be rounded as shown. When base material is metal, the corners and borders shall be rounded.
5. Substitute appropriate numerals and optically adjust spacing of numerals, hyphen, foot & inch marks to achieve proper balance.



SIZE	A	B	C	D	E	F	G	H	I	J	K	L	M	N	O	P	Q	R	S	T	U	V	W	X	Y	Z	Area sq. ft.
1	36		1 5/8	5/8	3/4		6	2	4	4 1/2	8	6 7/8	1	3	1/2	2 3/4	90°	1 1/4	1 7/8								9.00
2S	48		2 1/4	3/4	1		8	2 5/8	5 1/2	5 7/8	10 5/8	9 1/4	1 3/8	4	5/8	3 5/8	90°	1 5/8	2 1/2								16.00
2M	48		2 1/4	3/4	1		8	2 5/8	5 1/2	5 7/8	10 5/8	9 1/4	1 3/8	4	5/8	3 5/8	90°	1 5/8	2 1/2								16.00
3	48		2 1/4	3/4	1		8	2 5/8	5 1/2	5 7/8	10 5/8	9 1/4	1 3/8	4	5/8	3 5/8	90°	1 5/8	2 1/2								16.00
4	48		2 1/4	3/4	1		8	2 5/8	5 1/2	5 7/8	10 5/8	9 1/4	1 3/8	4	5/8	3 5/8	90°	1 5/8	2 1/2								16.00
5	48		2 1/4	3/4	1		8	2 5/8	5 1/2	5 7/8	10 5/8	9 1/4	1 3/8	4	5/8	3 5/8	90°	1 5/8	2 1/2								16.00

STANDARD SIGN  
W012-2

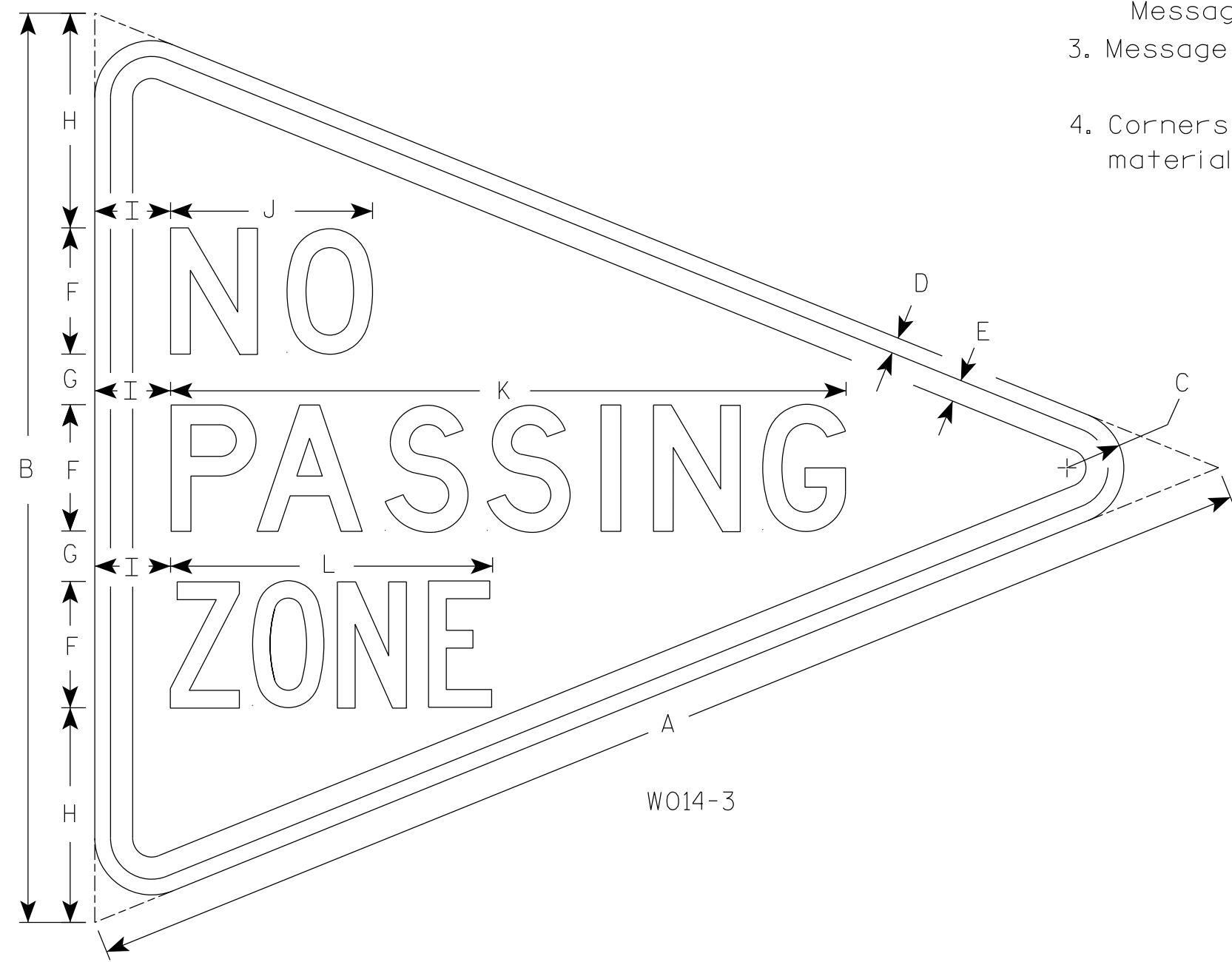
WISCONSIN DEPT OF TRANSPORTATION

APPROVED *Matthew R. Rauch*  
For State Traffic Engineer

DATE 12/06/2021 PLATE NO. W012-2.1

NOTES

1. Sign is Type II- Type F Reflective
2. Color:  
Background - Orange  
Message - Black
3. Message Series - Lines 1 and 2 are Series D.  
Line 3 is series C.
4. Corners and borders shall be rounded on all base materials for this sign.



W014-3

7

7

SIZE	A	B	C	D	E	F	G	H	I	J	K	L	M	N	O	P	Q	R	S	T	U	V	W	X	Y	Z	Area sq. ft.
1																											
2S	48	36	2 1/4	5/8	7/8	5	2	8 1/2	3	8	26 3/4	12 3/4															5.56
2M																											
3																											
4																											
5																											

STANDARD SIGN  
W014-3

WISCONSIN DEPT OF TRANSPORTATION

APPROVED *Matthew R Rauch*  
For State Traffic Engineer

DATE 10/7/21 PLATE NO. W014-3.1