

CORRESPONDENCE/MEMORANDUM \_\_\_\_\_ State of Wisconsin

**DATE:** 3/22/2018  
**TO:** All WisDOT Standard Sign Plate Holders  
**FROM:** Jay M. Hille, P.E.  
State Signing Engineer  
**SUBJECT:** Revised WisDOT Standard Sign Plates

Listed below and placed in the Traffic Operations Manuals website are changes and additions to the WisDOT Standard Sign Plates. Please make your coworkers aware of the following changes and that they can be found at: <http://wisconsindot.gov/Pages/doing-bus/local-gov/traffic-ops/manuals-and-standards/manuals.aspx>

Many changes have taken place in this listing. The revisions are as follows:

Sign Plate Additions/Revisions

A31	A4-3	A4-4	A5-3	D13-1A	E10-83
G20-52	G20-53	G20-55	G20-57	G20-63	G20-64
I55-56	I56-50	I57-10W	M1-4	M1-6	M1-54
M1-56	M1-95A	MR4-53	MR5-53	R3-51	R5-1
R5-60	R7-66	R10-64	R12-55	R13-49	R55-58A
R59-52	W2-6	W5-53	W5-59	W8-17	W8-66
W9-62	W9-63	W11-14	W13-3B	W16-5P	W21-66

Retired Sign Plates

G20-54	G20-56	G20-58	R5-53A	W11-12
--------	--------	--------	--------	--------

If you want to be removed from our distribution list or if your address has changed, please contact Jay Hille at the email address or phone number below.

**Jay Hille**  
**WisDOT Central Office**  
**Bureau of Traffic Operations**  
**3609 Pierstorff St**  
**Madison, WI 53704**  
**(608) 243-5981**  
[jay.hille@dot.wi.gov](mailto:jay.hille@dot.wi.gov)

## STANDARD SIGN PLATE LISTING

A1-1	A5-8	A11-17	D5-5B
A1-2	A5-9	A11-18	D5-61
A2-1	A5-10	D1-51	D5-62
A2-1S	A11-1	D1-55	D5-63
<u>A3-1</u>	A11-2	D1-56	D5-64
A3-1M	A11-3	D1-57	D5-65
A3-2	A11-4	D1-60	D5-66
A3-3	A11-5	D1-60A	D5-67
A4-1	A11-6	D1-61	D5-68
A4-2	A11-7	D1-63	D6-4
<u>A4-3</u>	A11-8A	D1-64	D6-4N
A4-3B	A11-8B	D1-65	D6-4S
A4-3S	A11-8C	D1-66	D6-51
<u>A4-4</u>	A11-9	D1-70	D6-53
A4-5	A11-10	D1-71	D7-51
A4-6	A11-11A	D1-72	D7-53
A4-7	A11-11B	D4-1	D7-54
A4-8	A11-11D	D4-2	D7-56
A4-9	A11-11F	D4-2A	D7-57
A4-10	A11-11G	D4-3	D7-59
A4-11	A11-11H	D4-4	D7-60
A4-12	A11-11I	D4-5A	D7-61
A4-14	A11-11J	D4-5	D7-63
A4-15	A11-11K	D4-51	D7-64
A4-16	A11-11L	D4-52	D7-66
A4-17	A11-12	D4-54	D7-67
A4-18	A11-13	D4-55	D7-68RL
A5-2	A11-14	D4-55A	D7-69
<u>A5-3</u>	A11-15	D4-56	D7-71
A5-7	A11-16	D5-5A	D7-72

## STANDARD SIGN PLATE LISTING

D7-74	D12-2A	E5-57	E10-82
D7-75	D12-2B	E5-57D	E10-82A
D7-77	D12-3	E5-57E	<u>E10-83</u>
D7-77A	<u>D12-3A</u>	E5-58	E11-1
D7-81	D12-5	E5-60	E13-1P
D7-81A	D12-50	E5-61	G20-1
D7-82	D13-3	E5-62	G20-2A
D7-82A	D15-1	E5-63	G20-4
D7-82B	D15-2	E5-64	G20-51
D7-91	D16-1	E5-65	<u>G20-52</u>
D7-92	D17-7	E6-51	<u>G20-52A</u>
D7-93	D52-53	E6-52	<u>G20-53</u>
D7-95	D52-54	E6-53	<u>G20-53A</u>
D9-2	D52-58	E6-54A	<u>G20-55</u>
D9-6	DB5-69	E6-54L	<u>G20-57</u>
D9-13C	DR1-53	E6-54R	G20-58
D9-51	E1-5	E7-1	G20-59
D9-52	E2-1	E7-2	G20-60
D9-52A	E5-1	E7-3	G20-61
D9-54	E5-1A	E7-4	G20-62
D9-54A	E5-1B	E9-1	<u>G20-63</u>
D10-3	E5-51	E10-51	<u>G20-64</u>
D11-1	E5-51A	E10-53	I2-1
D11-1A	E5-52	E10-54	I2-2
D11-6	E5-52A	E10-55	I2-2R
D11-7	E5-53	E10-56	I2-3
D11-8	E5-54	E10-60	I2-3A
D11-9	E5-54A	E10-61	I3-1
D11-10	E5-56A	E10-62	I5-1
D12-2	E5-56L	E10-63	I52-52
		E10-64	<u>I55-56</u>

## STANDARD SIGN PLATE LISTING

<b>I55-56B</b>	<b>M1-88</b>	<b>M4-20R</b>	<b>R2-1</b>
<b>I55-57</b>	<b>M1-88A</b>	<b>M4-21</b>	<b>R2-4</b>
<b>I55-57A</b>	<b>M1-90</b>	<b>M4-22</b>	<b>R2-6P</b>
<b><u>I56-50</u></b>	<b>M1-91</b>	<b>M4-59L</b>	<b>R3-1</b>
<b>I57-10</b>	<b>M1-92</b>	<b>M5-1</b>	<b>R3-2</b>
<b><u>I57-10W</u></b>	<b>M1-93</b>	<b>M5-51</b>	<b>R3-3</b>
<b>I60-50</b>	<b>M1-94</b>	<b>M6-1</b>	<b>R3-4</b>
<b>I60-51</b>	<b>M1-94H</b>	<b>M6-4</b>	<b>R3-4A</b>
<b>I60-52</b>	<b>M1-94S</b>	<b>M6-5</b>	<b>R3-4B</b>
<b>I60-53</b>	<b>M1-95</b>	<b>M6-50</b>	<b>R3-5</b>
<b>I60-56</b>	<b><u>M1-95A</u></b>	<b>M7-1</b>	<b>R3-5A</b>
<b>JV-F</b>	<b>M1-96</b>	<b>M50</b>	<b>R3-5U</b>
<b>M1-1</b>	<b>M1-97</b>	<b>MR1-99</b>	<b>R3-5X</b>
<b><u>M1-4</u></b>	<b>M1-98</b>	<b><u>MR4-53</u></b>	<b>R3-6</b>
<b>M1-5A</b>	<b>M2-1</b>	<b>MR4-56</b>	<b>R3-6T</b>
<b><u>M1-6</u></b>	<b>M3-1</b>	<b><u>MR5-53</u></b>	<b>R3-6U</b>
<b>M1-6B</b>	<b>M4-1</b>	<b>MR5-54</b>	<b>R3-6V</b>
<b>M1-7</b>	<b>M4-1A</b>	<b>R1-1</b>	<b>R3-6W</b>
<b>M1-8</b>	<b>M4-2</b>	<b>R1-1B</b>	<b>R3-6X</b>
<b>M1-8A</b>	<b>M4-3</b>	<b>R1-1F</b>	<b>R3-7</b>
<b>M1-9</b>	<b>M4-4</b>	<b>R1-2</b>	<b>R3-7B</b>
<b>M1-51</b>	<b>M4-5</b>	<b>R1-3P</b>	<b>R3-7C</b>
<b><u>M1-54</u></b>	<b>M4-6</b>	<b>R1-5L</b>	<b>R3-7S</b>
<b>M1-55</b>	<b>M4-8</b>	<b>R1-5R</b>	<b>R3-8</b>
<b><u>M1-56</u></b>	<b>M4-8A</b>	<b>R1-6</b>	<b>R3-8AA</b>
<b>M1-56B</b>	<b>M4-9A</b>	<b>R1-9</b>	<b>R3-8AAA</b>
<b>M1-85</b>	<b>M4-9BA</b>	<b>R1-10P</b>	<b>R3-8B</b>
<b>M1-85B</b>	<b>M4-9R</b>	<b>R1-53</b>	<b>R3-8BB</b>
<b>M1-86</b>	<b>M4-10</b>	<b>R1-54</b>	<b>R3-8BBB</b>
<b>M1-87</b>	<b>M4-20C</b>	<b>R1-55</b>	<b>R3-8CC</b>
	<b>M4-20L</b>	<b>R1-61</b>	

## STANDARD SIGN PLATE LISTING

R3-8CCC	R3-8R	R3-50	R4-51A
R3-8D	R3-8RR	R3-50A	R4-52
R3-8DD	R3-8S	R3-50U	R4-53
R3-8DDD	R3-8SS	<u>R3-51</u>	R4-55
R3-8EE	R3-8T	R3-51L	R4-55S
R3-8EEE	R3-8U	R3-51R	<u>R5-1</u>
R3-8F	R3-8UU	R3-52B	R5-1A
R3-8FF	R3-8V	R3-52C	R5-1AB
R3-8FFF	R3-8VV	R3-52P	R5-2
R3-8G	R3-8W	R3-53	R5-2A
R3-8GG	R3-8WW	R3-54	R5-3
R3-8GGG	R3-8X	R3-55A	R5-6
R3-8HH	R3-8XX	R3-57	R5-50
R3-8I	R3-8Y	R3-58	R5-54
R3-8II	R3-8YY	R3-59	R5-57
R3-8J	R3-8Z	R3-60	R5-57A
R3-8JJ	R3-8ZZ	R3-60X	R5-57B
R3-8K	R3-9B	R3-72	<u>R5-60</u>
R3-8KK	R3-9C	R4-1	R5-60RU
R3-8L	R3-11D	R4-2	R5-96
R3-8LL	R3-12G	R4-3	R5-97
R3-8M	R3-17	R4-4	R5-98
R3-8MM	R3-18	R4-5	R5-99
R3-8N	R3-20L	R4-7	R6-1
R3-8NN	R3-20LL	R4-9	R6-2
R3-8O	R3-20R	R4-11	R6-3
R3-8OO	R3-20RR	R4-13	R6-4B
R3-8P	R3-25U	R4-14	R6-6
R3-8PP	R3-27	R4-18	R6-7
R3-8Q	R3-33	R4-50	R7-1
R3-8QQ		R4-51	R7-2

## STANDARD SIGN PLATE LISTING

R7-4	R9-3B	R10-7	R11-3B
R7-5	R9-3BL	R10-10	R11-3C
R7-6	R9-4	R10-10A	R11-4
R7-7	R9-4A	R10-11	R11-5
R7-8	R9-8	R10-11B	R11-51
R7-8A	R9-9	R10-11C	R11-52
R7-8V	R9-10	R10-11F	R11-53
R7-51	R9-11	R10-11S	R11-54F
R7-52	R9-11A	R10-11T	R12-1
R7-53	R9-53	R10-12	R12-2
R7-63	R9-55	R10-15L	R12-52
R7-64	R9-56	R10-15R	R12-53
R7-65	R9-98	R10-16	R12-54
<u>R7-66</u>	R9-99	R10-17A	<u>R12-55</u>
R8-4	R10-1	R10-23	R12-56
R8-7	R10-2	R10-25	R12-57
R8-8	R10-2A	R10-26	R12-58
R8-9	R10-3	R10-50	R12-58F
R8-10	R10-3B	R10-61	R12-70
R8-51	R10-3E	R10-62	R12-70B
R8-52	R10-3H	R10-63	R13-1
R8-53	R10-3I	<u>R10-64</u>	<u>R13-49</u>
R8-54	R10-3J	R10-64B	R13-50
R8-55	R10-3N	R10-64F	R14-1
R8-56	R10-4	R10-65	R14-52
R8-74	R10-4B	R10-70	R14-53
R9-1	R10-4D	R10-71	R15-3
R9-2	R10-4X	R11-2	R15-50
R9-3	R10-5	R11-2B	R52-55
R9-3A	R10-6	R11-3	R52-57A
	R10-6B		

## STANDARD SIGN PLATE LISTING

R52-59	S4-51	W2-7L	W5-58L
R53-51	S4-52	W2-7R	W5-58R
R53-52	S5-2	W2-50	<u>W5-59L</u>
R53-53	S13-1	W3-1	<u>W5-59R</u>
R53-55	S16-5P	W3-1B	W5-60L
R53-56	S16-7	W3-2	W5-60R
R53-57	S16-8	W3-3	W5-61
R55-51	S16-9P	W3-4	W5-64
R55-53	S54-61	W3-5	W5-65
R55-54	S57-51	W3-6	W6-1
R55-58	W1-2	W3-8	W6-3
<u>R55-58A</u>	W1-3	W4-1	W6-53
R55-59	W1-4	W4-2	W6-54
R55-61	W1-4B	W4-3	W6-54A
R55-61M	W1-4C	W4-4A	W6-54B
R55-62	W1-5	W4-4B	W6-54C
R55-63	W1-6	W4-4C	W6-54D
R55-64	W1-7	W4-4P	W7-1
R55-65	W1-8	W4-6	W7-2B
R55-66	W1-8B	W4-7	W7-3
R55-67	W1-10	W5-1	W7-6
R59-51	W1-10F	W5-2	W7-61
<u>R59-52</u>	W1-11	W5-3	W8-1
RR2-60	W1-13L	W5-52	W8-1A
S1-1	W1-13R	<u>W5-53</u>	W8-2
S1-51	W1-51	W5-53S	W8-3
S3-1	W1-60	W5-54	W8-4
S3-51	W2-1	W5-56	W8-5
S4-2	W2-2	W5-57	W8-6
S4-5	W2-3	W5-58D	W8-6A
	<u>W2-6</u>		

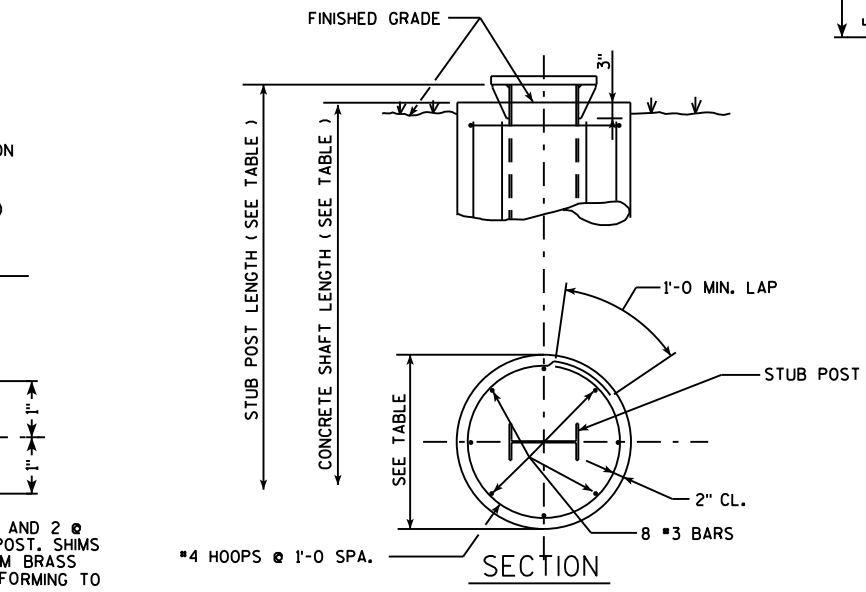
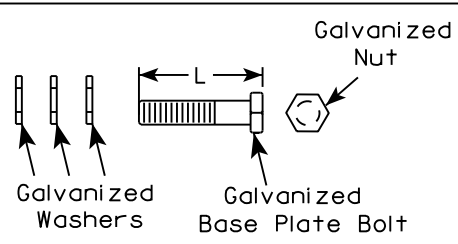
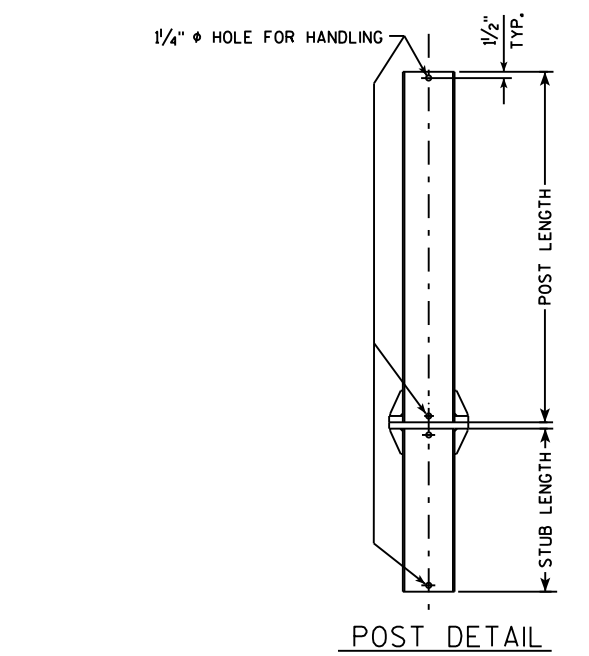
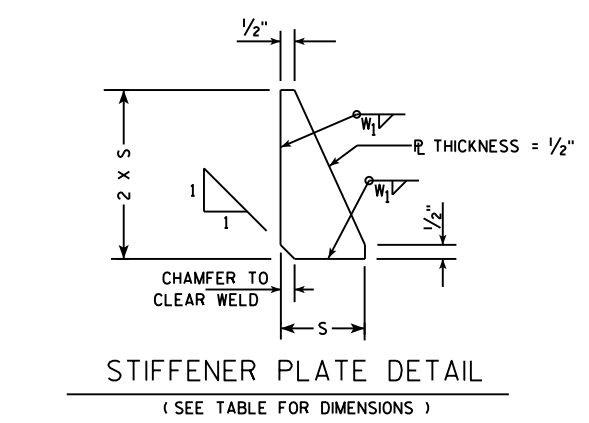
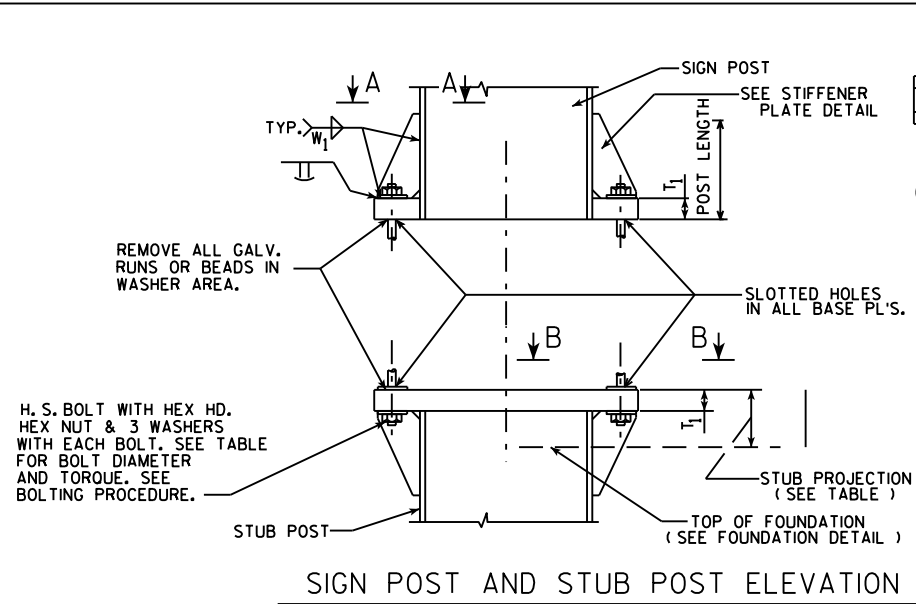
## STANDARD SIGN PLATE LISTING

W8-7	W9-2	W12-1	W20-2
W8-8	W9-3A	W12-1D	W20-3
W8-9	<u>W9-62</u>	W12-2	W20-4
W8-9A	<u>W9-63</u>	W12-2A	W20-5
W8-11	W10-1	W12-50	W20-7
W8-12	W10-1A	W12-52	W20-7A
W8-14	W10-2	W12-52P	W20-50
W8-16	W10-3	W13-1	W20-50M
<u>W8-17</u>	W10-4	W13-2	W20-53
W8-52	W10-5	W13-2A	W20-58
W8-57	W10-11A	W13-2B	W21-1
W8-58	W10-11B	W13-2C	W21-1A
W8-60	W10-12	W13-2D	W21-2
W8-61	W10-52	W13-3	W21-3A
W8-62	W11-1	W13-3A	W21-5
W8-63	W11-2	<u>W13-3B</u>	W21-5A
W8-64	W11-4	W13-3C	W21-5B
W8-65	W11-5	W13-3D	W21-6
<u>W8-66</u>	W11-6	W14-1	W21-51
W8-67	W11-7	W14-2	W21-60
W8-68	W11-8	W14-3	W21-61
W8-69	W11-9	W16-1P	W21-62
W8-70	W11-11	W16-2A	W21-62P
W8-71	<u>W11-14</u>	<u>W16-5P</u>	W21-62Q
W8-72	W11-15	W16-7	W21-62R
W8-72P	W11-15A	W16-7D	W21-63
W8-73	W11-50	W16-9P	W21-64
W8-74	W11-55	W16-15P	<u>W21-66</u>
W8-75	W11-57	W19-1	W22-1
W9-1	W11-59P	W19-2	W22-2
		W20-1	W22-3



## STANDARD SIGN PLATE LISTING

W23-2	WO1-6	WO8-8
W24-1L	WO1-7	WO8-9
W24-1R	WO3-1	WO8-52
W24-1aL	WO3-2	WO9-1
W24-1aR	WO3-3	WO9-2
W24-1bL	WO3-4	WO12-1
W24-1Br	WO3-5	WO12-1D
W24-1P	WO4-1	WO13-1
W25-2	WO4-2	WO13-2
W54-51	WO4-3	
W54-52	WO4-5	WO24-1
W54-53	WO4-5P	WO57-51
W54-54	WO5-1	WO57-52
W54-55	WO5-2	
W54-56	WO5-52	
W54-57	WO5-53	
W54-58	WO5-58	
W54-59	WO5-58D	
W54-60	WO5-59	
W54-62	WO5-60	
W54-63	WO6-1	
W56-51	WO6-2	
W57-51	WO6-3	
W57-52	WO8-1	
WO1-1	WO8-1A	
WO1-2	WO8-2	
WO1-3	WO8-3	
WO1-4B	WO8-4	
WO1-4	WO8-5	
WO1-4C	WO8-6	



QUANTITIES FOR 1 FOOTING

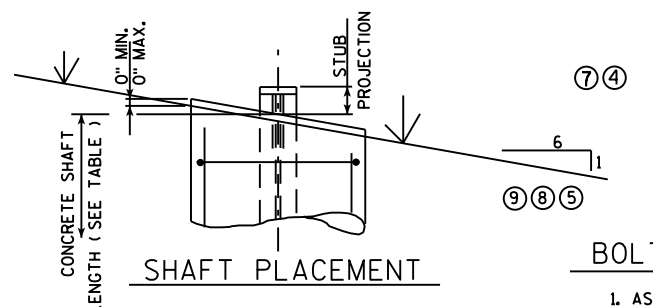
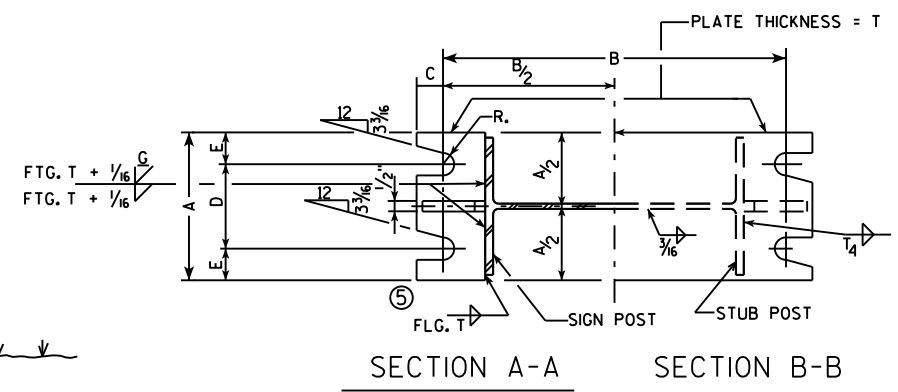
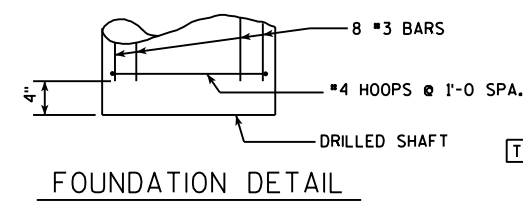
	CONC. MASONRY C.Y.	REINF. STEEL LBS.
A	0.6	34
B	0.8	49
C	0.9	50
D	0.9	56
E	1.0	62

REINF.

TYPE	#3	#4
A	8 @ 4'-5"	5 @ 6'-3"
B	8 @ 6'-5"	7 @ 6'-3"
C	8 @ 6'-11"	7 @ 6'-3"
D	8 @ 7'-5"	8 @ 6'-3"
E	8 @ 7'-11"	9 @ 6'-3"

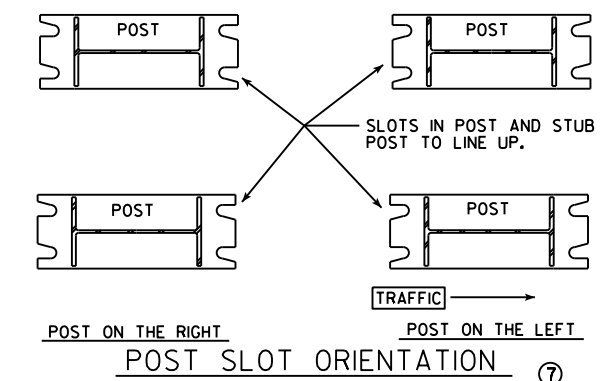
FURNISH 2 @ .012"  $\pm$  THICK AND 2 @ .032"  $\pm$  THICK SHIMS PER POST. SHIMS SHALL BE FABRICATED FROM BRASS SHIM STOCK OR STRIP CONFORMING TO A.S.T.M.- B36.

SHIM DETAIL



BOLTING PROCEDURE - BASE CONNECTION

- ASSEMBLE SIGN POST TO STUB POST WITH BOLTS AND ONE OF THE FLAT WASHERS ON EACH BOLT BETW. PLATES.
  - SHIM AS REQ'D. TO PLUMB POST.
  - PRIOR TO BOLT TIGHTENING LUBRICATE BASE CONNECTION BOLTS WITH BEESWAX OR OTHER HIGH-WAX LUBRICANT.
  - TIGHTEN ALL BOLTS THE MAXIMUM POSSIBLE WITH 12" OR 15" WRENCH TO BED WASHERS & SHIMS AND TO CLEAN BOLT THREADS, THEN LOOSEN EACH BOLT IN TURN AND RETIGHTEN IN A SYSTEMATIC ORDER TO THE PRESCRIBED TORQUE. (SEE TABLE)
  - BURR THREADS AT JUNCTION WITH NUT USING A CENTER PUNCH TO PREVENT NUT LOOSENING.
- NOTE: TIGHTEN THE HIGH STRENGTH BOLTS TO THE TORQUE SHOWN. DO NOT OVERTIGHTEN.



BASE CONNECTION DATA TABLE

L	X	TYPE	POST SIZE	WEIGHT PER FT	BOLT SIZE & TORQUE	A	B	C	D	E	T <sub>1</sub>	T <sub>4</sub>	W <sub>1</sub>	R	S	STUB LENGTH	STUB PROJECTION	SHAFT DIAMETER	SHAFT LENGTH	K
3 3/4	(4)	A	W10"X12.0	12.0 LBS	3/4" $\phi$ @ 75*-FT.	5/4"	1'-0 3/8"	7/8"	3 1/2"	7/8"	1"	3/16"	5/16"	1/32"	2 1/8"	3'-6"	3"	2'-0 $\phi$	5'-0"	76.0*
4 3/4	(4)	B	W12"X16.0	16.0 LBS	7/8" $\phi$ @ 85*-FT.	5 1/2"	1'-4 1/4"	1"	3 1/2"	1"	1 1/4"	1/4"	5/16"	1/32"	3"	5'-6"	3"	2'-0 $\phi$	7'-0"	146.5*
5		C	W12"X19.0	19.0 LBS	7/8" $\phi$ @ 85*-FT.	5 1/2"	1'-4 1/4"	1"	3 1/2"	1"	1 1/2"	5/16"	5/16"	1/32"	3"	6'-0"	3"	2'-0 $\phi$	7'-6"	182.1*
5		D	W12"X22.0	22.0 LBS	7/8" $\phi$ @ 85*-FT.	5 1/2"	1'-4 1/4"	1"	3 1/2"	1"	1 1/2"	3/8"	5/16"	1/32"	3"	6'-6"	3"	2'-0 $\phi$	8'-0"	210.5*
5	(3)	E	W12"X26.0	26.0 LBS	1" $\phi$ @ 90*-FT.	7"	1'-4 1/4"	1 1/4"	4"	1 1/2"	1 1/2"	3/8"	5/16"	1/32"	3"	7'-0"	3"	2'-0 $\phi$	8'-6"	293.0*

STRUCTURAL CARBON STEEL PAY WTS. (1POST) = K+ (POST LENGTH X POST WT.)  
 \* K " INCLUDES STUB, BASE PLATES, STIFFS., BOLTS, AND WASHERS.

DESIGN DATA

WIND PRESSURE = 75 M.P.H.

WIND COMPONENTS - NORMAL = 1.0 TRANSVERSE = 0.0

ICE LOAD = 3 P.S.F.

GROUP LOADS

PERCENT OF ALLOWABLE STRESS	
1. DEAD	100
2. DEAD & WIND	140
3. DEAD, ICE & 1/2 WIND <sup>A</sup>	140

<sup>A</sup>25 P.S.F. MIN.

ALLOWABLE SOIL PRESSURE = 1/2 T / SQ. FT.

WIND LOAD WAS APPLIED TO THE AREA OF THE SIGN AND TO THE SUPPORTING MEMBERS.

ICE LOAD WAS APPLIED TO ONE FACE OF THE SIGN AND AROUND THE SURFACE OF THE SUPPORTING MEMBERS.

GENERAL NOTES

DRAWINGS SHALL NOT BE SCALED.

DESIGN CONFORMS WITH A.A.S.H.T.O. SPECIFICATIONS 1985.

ALL POSTS, POST STUBS & ATTACHMENTS SHALL BE A.S.T.M. A709 GRADE 50, GALVANIZED IN ACCORDANCE WITH ASTM A123.

THE POST, BASE PLATES, UPPER SIX INCHES OF STUB POST FLANGE SPLICE PLATE AND FUSE PLATE SHALL BE GALVANIZED AFTER FABRICATION.

FURNISH STEEL BOLTS, NUTS, AND WASHERS IN ACCORDANCE WITH SECTION 635 OF THE STANDARD SPECIFICATIONS.

WISCONSIN DEPT OF TRANSPORTATION

APPROVED *Matthew R. Rauch*  
 for State Traffic Engineer

DATE 8/22/17 PLATE NO. A3-1.17

(10)	1-21-14	LUBRICATION OF BASE BOLTS
(9)	4-26-11	REMOVE NON-GALVANIZED
(8)	10-30-96	NOT GALVANIZED/GALVANIZED
(7)	10-30-92	QUANT., A588 EXCEPT., ADD SLOT VIEW
(6)	8-24-87	BASE CONN. WELD
(5)	10-13-81	BASE CONN. WELD & FUSE R WASHERS
(4)	10-19-79	POST A & B, A572 GR. 50, & K
(2)	11-28-78	"K" (3) 4-23-79 TYPE "E"
(1)	5-4-78	T <sub>1</sub> - T <sub>2</sub> & W <sub>1</sub>
NO.	DATE	REVISION

STATE OF WISCONSIN  
 DEPARTMENT OF TRANSPORTATION  
 DIVISION OF HIGHWAYS

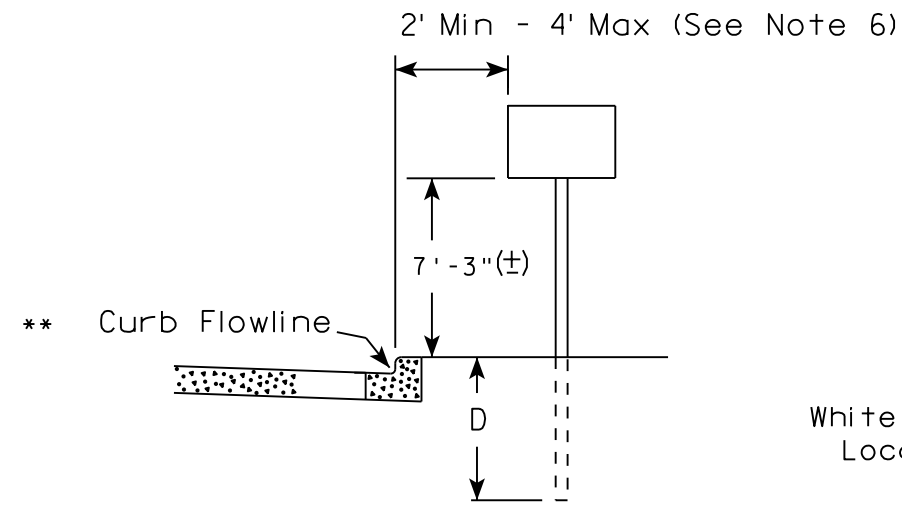
TYPE A, B, C, D, & E

CONST. SPEC. 2011 DRAWN BY JPH PLANS CKD.

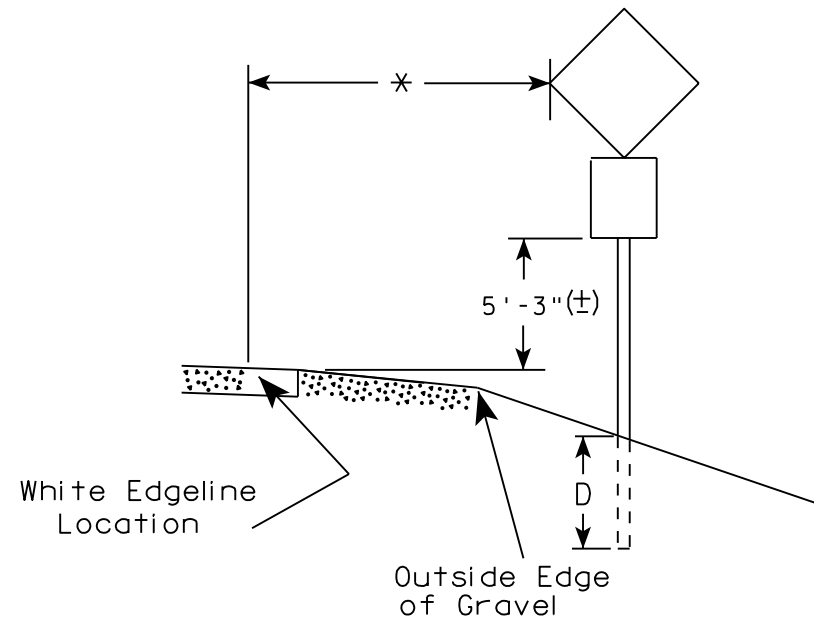
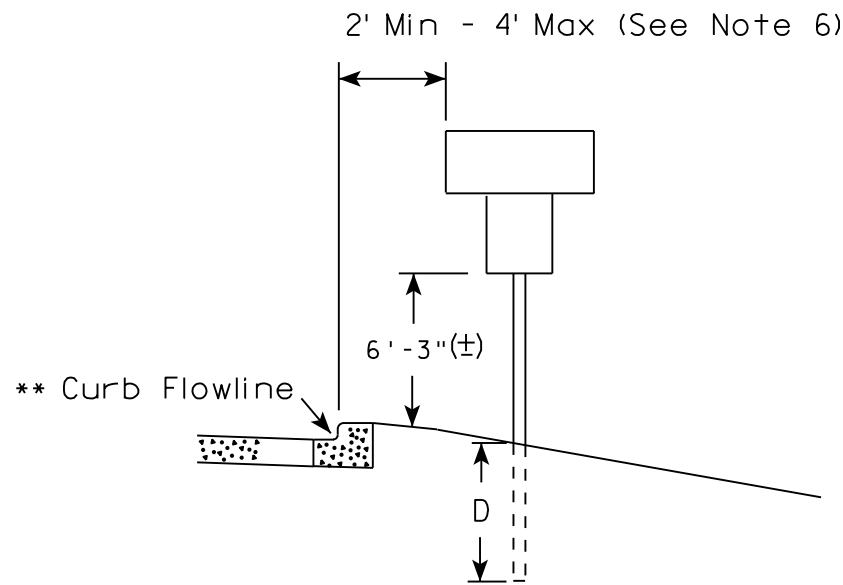
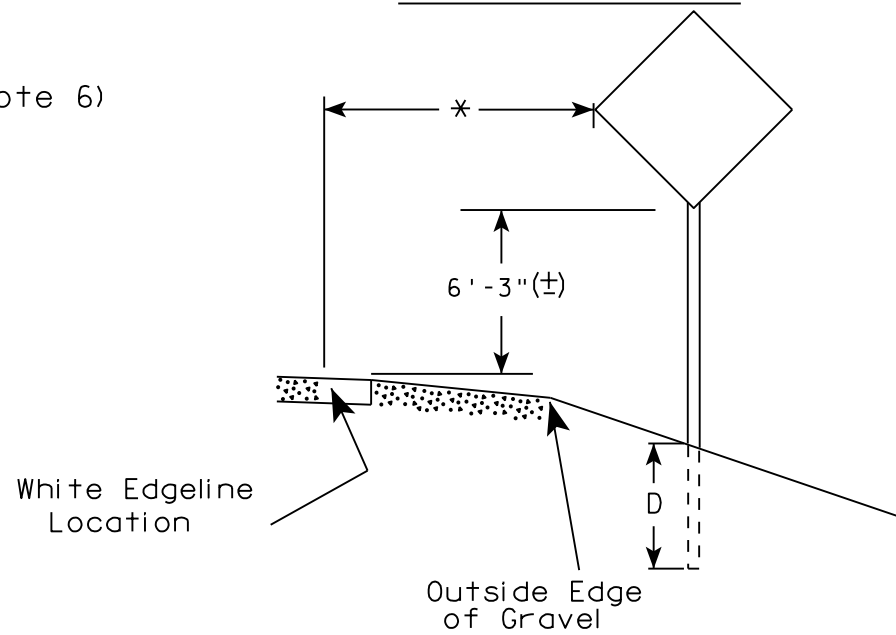
FTG. & SIGN SUPPORT DETAILS  
 GROUND MOUNT  
 BREAK-AWAY SIGNS

SHEET

URBAN AREA



RURAL AREA (See Note 2)



POST EMBEDMENT DEPTH

Area of Sign Installation ( Sq. Ft. )	D ( Min )
20 or Less	4'
Greater than 20	5'

GENERAL NOTES

1. Signs wider than 4 feet or 20 sq.ft or larger, shall be mounted on multiple posts. Refer to plate A4-4.
2. If signs are mounted on barrier wall, see A4-10 sign plate.
3. For expressways and freeways, mounting height is 7'- 3" (±) or 6'-3" (±) depending upon existence of a sub-sign.
4. J-Assemblies are considered to be one sign for mounting height.
5. Minimum mounting height for signs mounted on traffic signal poles is 5'- 3" (±).
6. Offset distance shall be consistent with existing signs or consistent throughout length of project.
7. The (±) tolerance for mounting height is 3 inches.
8. Folding signs shall be mounted at a height of 5'-3" (±) or as directed by the Engineer.
9. The Double Arrow sign (W12-1) shall be mounted at a height of 2'-3" (±). The Chevron sign (W1-8), Roundabout Chevron panel (R6-4B), Enhanced Reference Markers, Clearance Markers (W5-52), Mile Markers (D10 series), In Road Object Markers (W5-54) & End of Road Markers (W5-56) shall be mounted at a height of 4'-3" (±).

\*\* The existence of curb and gutter does not in itself mandate the vertical clearance illustrated. That height is typically measured where there is sidewalk adjacent to the roadway or parking is permitted. In the absence of sidewalk vertical clearance is measured from the top of the curb. Offset of signs is measured from the flow line.

\* 6 feet from edge of a paved shoulder or 12 feet from the edge of pavement (edge line location) or 2 feet from outside edge of gravel, whichever is greater unless directed by project engineer.

TYPICAL INSTALLATION OF PERMANENT TYPE II SIGNS ON SINGLE POSTS

WISCONSIN DEPT OF TRANSPORTATION

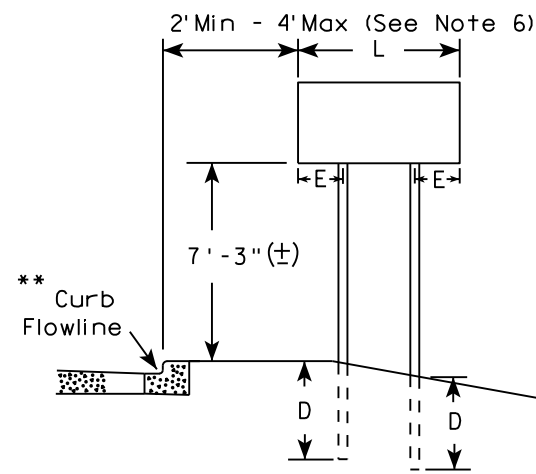
APPROVED *Matthew R. Rauch*  
for State Traffic Engineer

DATE 8/21/17 PLATE NO. A4-3.21

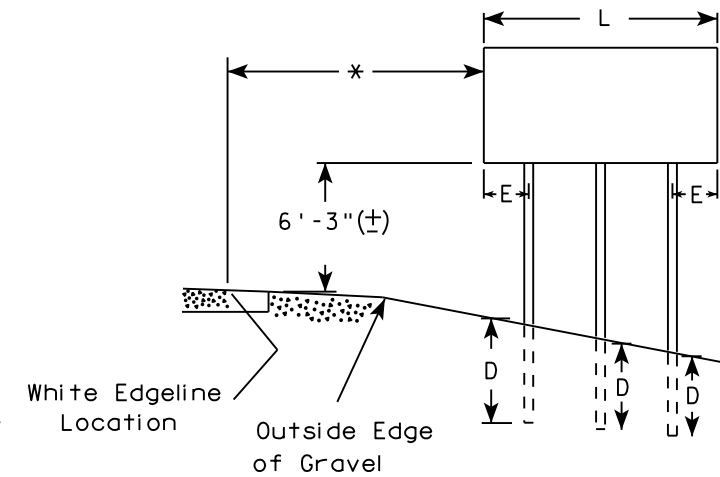
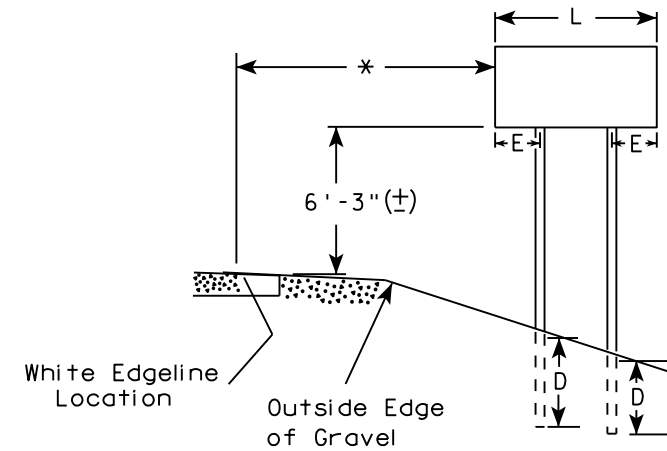
GENERAL NOTES

1. For 3 or 4 post installations, individual post spacing shall be greater than 3'-6".
2. See tables below for required number of posts.
3. For expressways and freeways, mounting height is 7'-3" (±) or 6'-3" (±) depending upon existence of sub-sign.
4. The (±) tolerance for mounting height is 3 inches.
5. J-Assemblies are considered to be one sign for mounting height.
6. Offset distance shall be consistent with existing signs or consistent throughout length of project.
7. Folding signs shall be mounted at a height of 5'-3" (±) or as directed by the engineer.
8. The Double Arrow sign (W12-1) shall be mounted at a height of 2'-3" (±). The Chevron sign (W1-8), Roundabout Chevron panel (R6-4B), Clearance Markers (W5-52), Mile Markers (D10 series), In Road Object Markers (W5-54) & End of Road Markers (W5-56) shall be mounted at a height of 4'-3" (±).

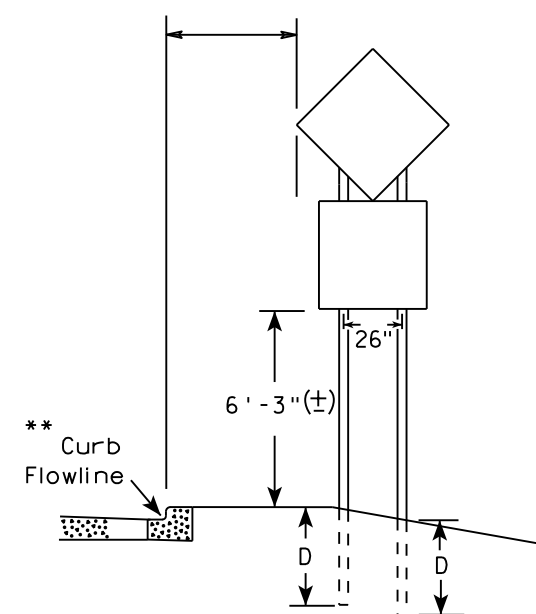
URBAN AREA



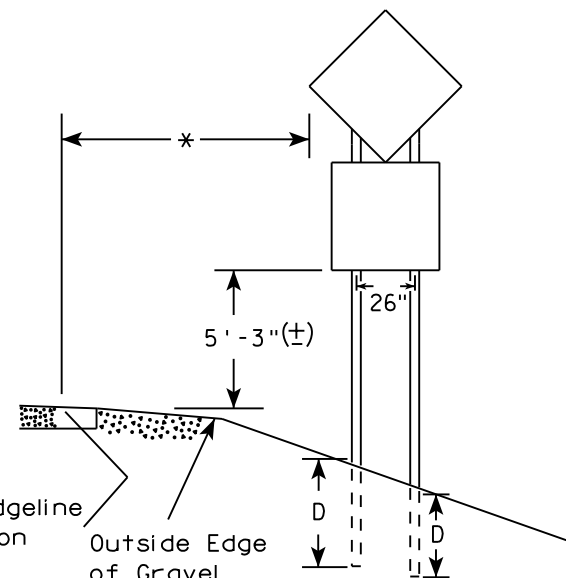
RURAL AREA (See Note 3)



2' Min - 4' Max (See Note 6)



48" DIAMOND WARNING SIGN



48" DIAMOND WARNING SIGN

\* 6 feet from edge of a paved shoulder or 12 feet from the edge of pavement (edge line location) or 2 feet from outside edge of gravel, whichever is greater unless directed by project engineer.

\*\* The existence of curb and gutter does not in itself mandate the vertical clearance illustrated. That height is typically measured where there is sidewalk adjacent to the roadway or parking is permitted. In the absence of sidewalk vertical clearance is measured from the top of the curb. Offset of signs is measured from the flow line.

\*\*\* See A4-3 sign plate for signs 4' or less in width and less than 20 S.F. in area.

SIGN SHAPE OTHER THAN DIAMOND (TWO POSTS REQUIRED)	
L	E
Greater than 48" Less than 60"	12"
60" to 108"	L/5

\*\*\*

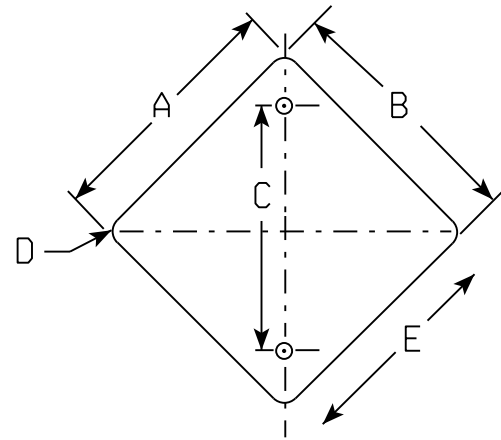
SIGN SHAPE OTHER THAN DIAMOND (THREE POSTS REQUIRED)	
L	E
Greater than 108" to 144"	12"

POST EMBEDMENT DEPTH

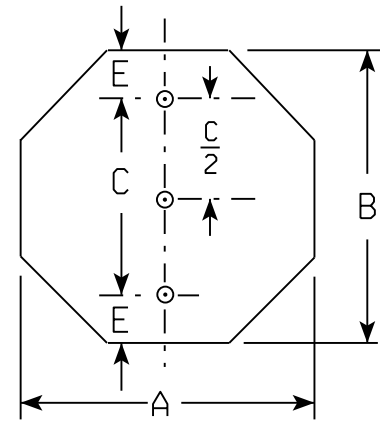
Area of Sign Installation ( Sq. Ft. )	D ( Min )
20 or Less	4'
Greater than 20	5'

TYPICAL INSTALLATION OF TYPE II SIGNS ON MULTIPLE POSTS

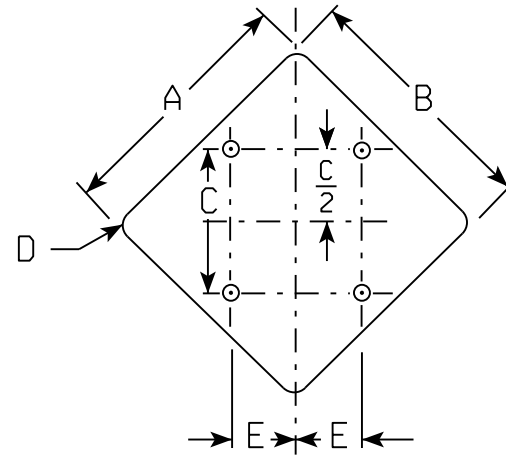
WISCONSIN DEPT OF TRANSPORTATION  
 APPROVED *Matthew R. Rauch*  
 For State Traffic Engineer  
 DATE 8/21/17 PLATE NO. A4-4.15



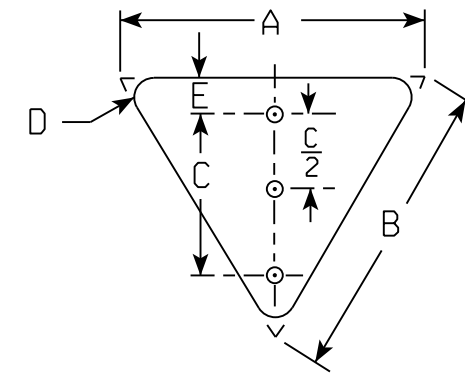
1



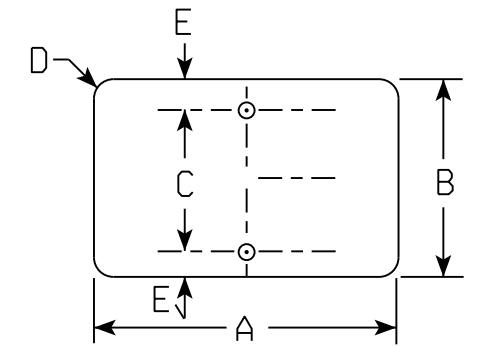
2



3



4



5

TYPE 1						
A	B	C	D	E	Area Sq. Ft.	Mounting Holes
18	18	18	1 1/2	14	2.25	2
24	24	24	1 1/2	20	4.0	2
30	30	30	1 7/8	22	6.25	2
36	36	36	2 1/4	26	9.0	2

TYPE 2						
A	B	C	E	Area Sq. Ft.	Mounting Holes	
24	24	20	2	3.31	2	
30	30	24	3	5.18	2	
36	36	28	4	7.46	2	
48	48	36	6	13.25	3	

TYPE 3						
A	B	C	D	E	Area Sq. Ft.	Mounting Holes
48	48	26	3	13	16.0	4

TYPE 4							
A	B	C	D	E	Area Sq. Ft.	Mounting Holes	
18	18	14	1	2	1.95	2	
36	36	24	2	2	3.9	2	
48	48	32	3	3	7.0	2	

TYPE 5							
A	B	C	D	E	Area Sq. Ft.	Mounting Holes	
8	8	6	1 1/2	1	0.44	2	
12	12	9	1 1/2	1 1/2	1.00	2	
18	18	14	1 1/2	2	2.25	2	
21	15	11	1 1/2	2	2.19	2	
21	21	17	1 1/2	2	3.06	2	
24	12	8	1 1/2	2	2.0	2	
24	18	14	1 1/2	2	3.0	2	
24	24	20	1 1/2	2	4.0	2	
30	12	8	1 1/2	2	2.5	2	
30	15	11	1 1/2	2	3.13	2	
30	18	14	1 1/2	2	3.75	2	
30	21	17	1 1/2	2	4.37	2	
30	24	20	1 1/2	2	5.0	2	

TYPE 5 CONT'D.							
A	B	C	D	E	Area Sq. Ft.	Mounting Holes	
30	30	22	1 7/8	4	6.25	2	
36	12	8	1 1/2	2	3.0	2	
36	18	14	1 1/2	2	4.5	2	
36	24	20	1 1/2	2	6.0	2	
36	36	26	2 1/4	5	9.0	2	
40	18	14	1 1/2	2	5.00	2	
42	21	17	1 7/8	2	6.125	2	
42	30	22	1 7/8	4	8.75	2	
48	24	20	1 7/8	2	8.0	2	

NOTES

1. All sign blanks shall have 7/16" Diameter mounting hole.

ALUMINUM THICKNESS

SIGN WIDTH	NOMINAL THICKNESS
30 inches and under	0.080 inch
Greater than 30-36 inches	0.100 inch
Over 36 inches	0.125 inch

STOP SIGN THICKNESS

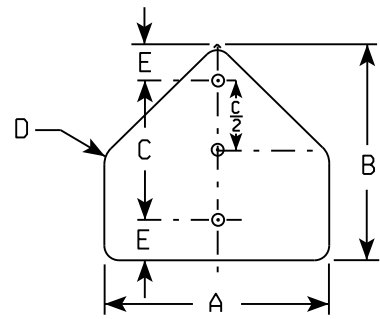
SIGN WIDTH	NOMINAL THICKNESS
30 inches	0.100 inch
36-48 inches	0.125 inch

STANDARD LAYOUT OF ALUMINUM SIGN BLANKS SHEET 1 OF 3

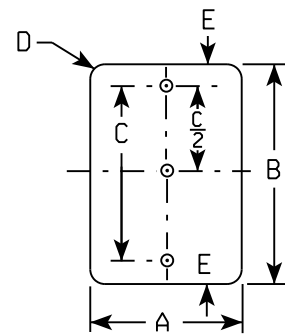
WISCONSIN DEPT OF TRANSPORTATION

APPROVED *Matthew R. Rauch*  
for State Traffic Engineer

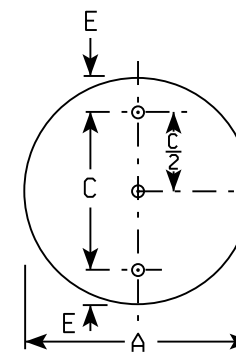
DATE 3/19/18 PLATE NO. A5-3.24



6



7



8

NOTES

1. All sign blanks shall have  $\frac{7}{16}$ " Diameter mounting holes.

TYPE 6							
A	B	C	D	E	Area Sq. Ft.	Mounting Holes	
30	30	24	$1\frac{3}{8}$	3	4.68	2	
36	36	26	$1\frac{5}{8}$	5	6.75	2	
48	48	32	$1\frac{7}{8}$	8	12.0	3	

TYPE 7 *							
A	B	C	D	E	Area Sq. Ft.	Mounting Holes	
12	18	15	$1\frac{1}{2}$	$1\frac{1}{2}$	1.5	2	
12	24	20	$1\frac{1}{2}$	2	2.0	2	
12	36	24	$1\frac{1}{2}$	6	3.0	2	
12	48	32	$1\frac{1}{2}$	8	4.0	3	
15	21	18	$1\frac{1}{2}$	$1\frac{1}{2}$	2.19	2	
18	24	20	$1\frac{1}{2}$	2	3.0	2	
18	36	24	$1\frac{1}{2}$	6	4.5	2	
18	54	36	$2\frac{1}{2}$	9	6.75	3	
21	60	40	$1\frac{1}{2}$	10	8.75	3	
21	72	52	$1\frac{1}{2}$	10	10.5	3	
24	30	22	$1\frac{1}{2}$	4	5.0	2	
24	36	24	$1\frac{1}{2}$	6	6.0	2	
24	39	27	$1\frac{1}{2}$	6	6.5	3	
24	45	32	$1\frac{7}{8}$	6	7.5	3	
24	48	32	$1\frac{7}{8}$	8	8.0	3	
24	57	37	$1\frac{7}{8}$	10	9.5	3	
36	48	32	$1\frac{7}{8}$	8	12.0	3	
30	36	24	$1\frac{7}{8}$	6	7.5	2	
36	54	36	$2\frac{1}{4}$	9	12.75	3	
36	57	37	$1\frac{7}{8}$	10	14.25	3	
48	39	27	$1\frac{7}{8}$	10	13.0	3	
48	45	32	$1\frac{7}{8}$	10	14.0	3	
48	57	37	3	10	19.0	3	

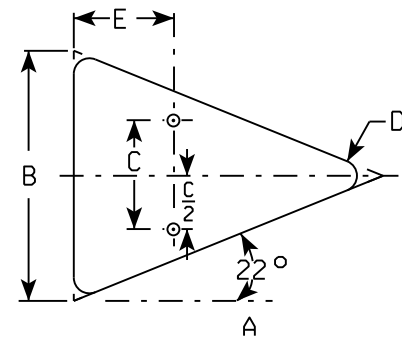
TYPE 8						
A	B	C	E	Area Sq. Ft.	Mounting Holes	
30	—	24	3	4.91	2	
36	—	26	5	7.07	2	
48	—	32	8	12.5	3	

\* FOR SIGNS OVER 57" IN HEIGHT, PROVIDE 3 MOUNTING HOLES AT 10" FROM THE TOP AND BOTTOM OF SIGN AND IN THE CENTER OF SIGN.

STANDARD LAYOUT OF ALUMINUM SIGN BLANKS SHEET 2 OF 3	
WISCONSIN DEPT OF TRANSPORTATION	
APPROVED	<i>Matthew R. Rauch</i> For State Traffic Engineer
DATE <u>3/19/18</u>	PLATE NO. <u>A5-3.24</u>

7

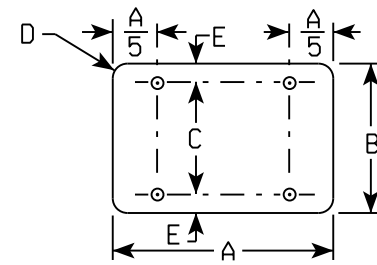
7



10

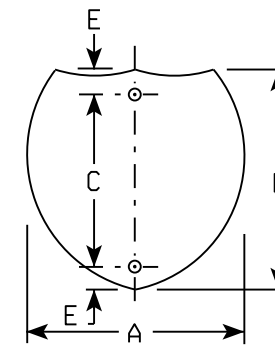
TYPE 10 (NOTE 1)						
A	B	C	D	E	Area Sq. Ft.	Mounting Holes
48	36	14	2 1/4	16	6.0	2

TYPE 11						
A	B	C	D	E	Area Sq. Ft.	Mounting Holes
66	12	8	3	2	5.5	4
66	18	14	3	2	8.25	4
66	24	20	3	2	11.0	4
66	30	22	3	4	13.75	4
66	36	28	3	4	16.5	4
66	42	34	3	4	19.25	4
66	48	40	3	4	22.0	4
72	12	8	3	2	6.0	4
72	18	14	3	2	9.0	4
72	24	20	3	2	12.0	4
72	30	22	3	4	15.0	4
72	36	28	3	4	18.0	4
72	42	34	3	4	21.0	4
72	48	40	3	4	24.0	4



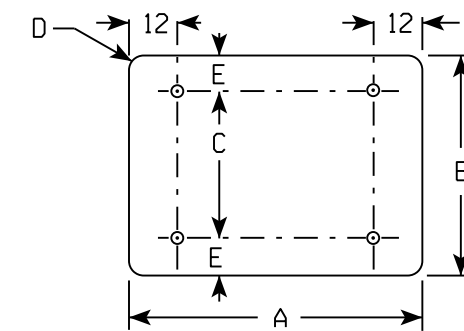
11

TYPE 12 (NOTE 2)					
A	B	C	E	Area Sq. Ft.	Mounting Holes
24	24	18	3	3.13	2
30	24	18	3	3.91	2
36	36	28	4	7.03	2
45	36	28	4	8.79	2



12

TYPE 13						
A	B	C	D	E	Area Sq. Ft.	Mounting Holes
48	60	40	3	10	20.0	4
54	12	8	1 1/2	2	4.5	4
54	15	11	1 1/2	2	5.63	4
54	18	14	1 1/2	2	6.75	4
54	21	17	1 1/2	2	7.88	4
54	24	20	1 7/8	2	9.0	4
54	36	28	1 7/8	4	13.5	4
54	48	40	1 7/8	4	18.0	4
60	12	8	1 1/2	2	5.0	4
60	18	14	1 1/2	2	7.5	4
60	24	20	1 7/8	2	10.0	4
60	30	22	1 7/8	4	12.5	4
60	36	28	1 7/8	4	15.0	4
60	42	34	1 7/8	4	17.5	4
60	48	40	3	4	20.0	4



13

NOTES

1. Dimension A on type #10 is measured to the theoretical intersections of the edges.
2. Shape of type #12 shall conform to FHWA standard for Interstate route markers.
3. All signs over 60" in width shall have 3" radius on the outside corners of the aluminum blank.
4. For signs over 60" in width see sign plate A4-18 for hole placement.

STANDARD LAYOUT OF ALUMINUM SIGN BLANKS SHEET 3 OF 3

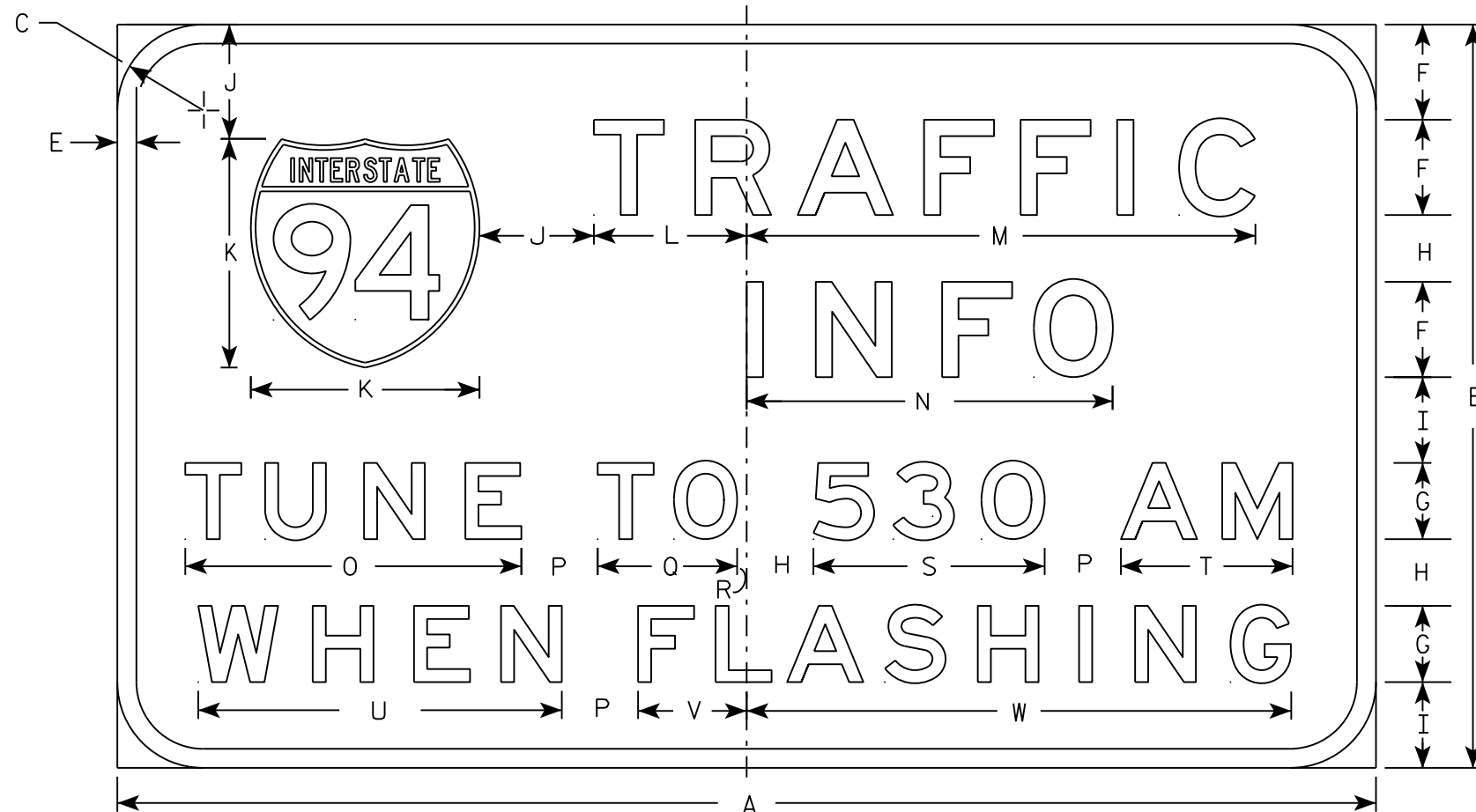
WISCONSIN DEPT OF TRANSPORTATION

APPROVED *Matthew R. Rauch*  
for State Traffic Engineer

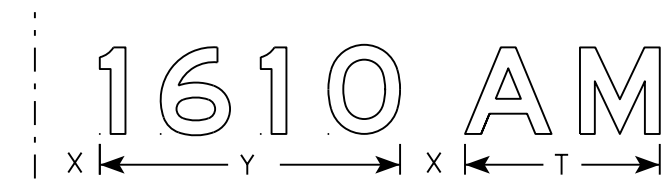
DATE 3/19/18 PLATE NO. A5.3.24

NOTES

1. Sign is Type I - Type SH Reflective
2. Color:  
Background - Blue  
Message - White
3. Message Series - E
4. For any other radio frequency, substitute appropriate numerals and adjust spacing to achieve proper balance.
5. The 94 highway shield shall be in accordance with M1-51 standard sign detail.



D12-3A



SIZE	A	B	C	D	E	F	G	H	I	J	K	L	M	N	O	P	Q	R	S	T	U	V	W	X	Y	Z	Area sq. ft.
1																											
2																											
3																											
4																											
5	132	78	9		2	10	8	7	9	12	24	16	53 3/8	38 3/8	35 1/4	8	14 5/8	1	24 1/4	18	38 1/8	11 3/8	57 1/8	6	27 3/4		71.5

STANDARD SIGN  
D12-3A

WISCONSIN DEPT OF TRANSPORTATION

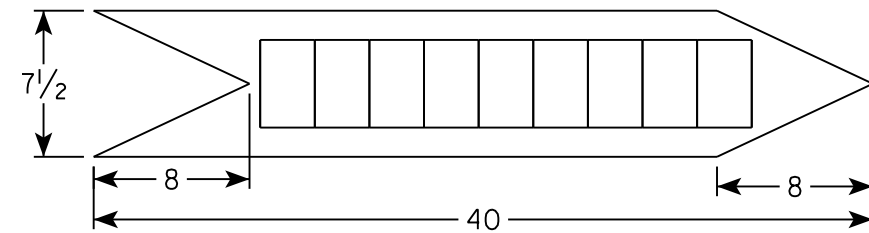
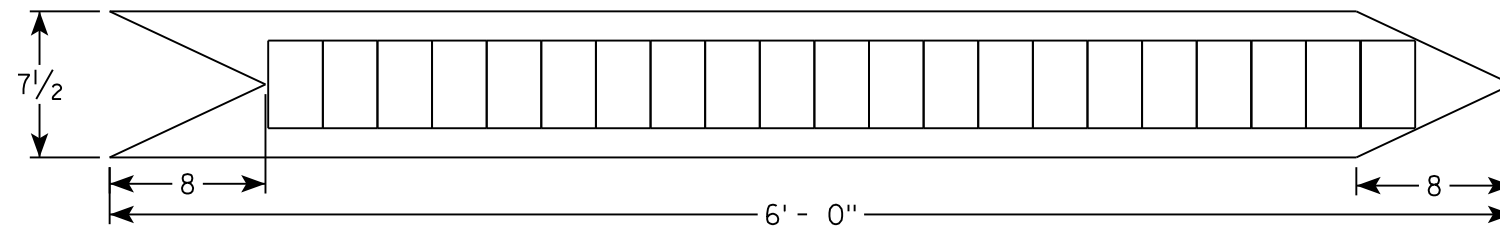
APPROVED *Matthew R. Rauch*  
for State Traffic Engineer

DATE 3/15/18 PLATE NO. D12-3A.2



NOTES

1. All Signs Type II - Non-Reflective
2. Color:  
Background - White  
Message - Black
3. Message Series - B 4 1/2 inch
4. Maximum of 21 letters on 6 foot board and  
9 letters on 40 inch board
5. Sign base material is plywood



7

7

STANDARD SIGN  
E10-83

WISCONSIN DEPT OF TRANSPORTATION

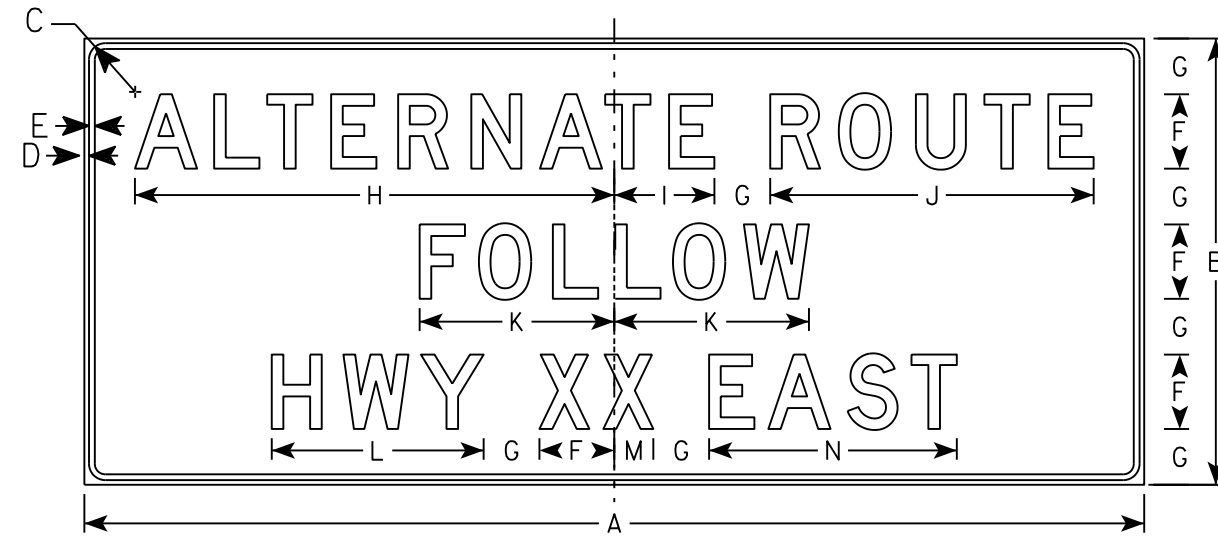
APPROVED *Matthew R. Rauch*  
For State Traffic Engineer

DATE 4/11/17 PLATE NO. E10-83.3

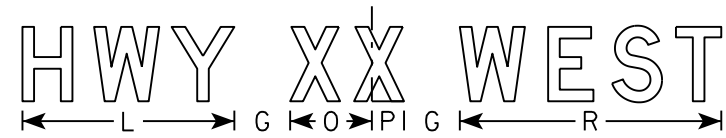
PROJECT NO:	HWY:	COUNTY:	SHEET NO: <b>E</b>
-------------	------	---------	--------------------

NOTES

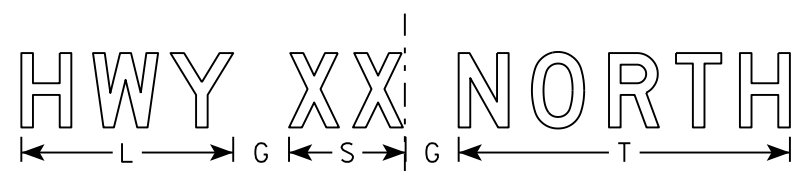
1. Sign is Type II - Type F Reflective
2. Color:  
Background - Orange  
Message - Black
3. Message Series - D
4. Substitute appropriate numeral and adjust spacing to achieve proper balance.



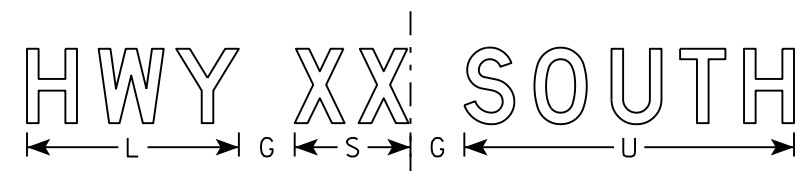
G20-52



G20-52A



G20-53



G20-53A

SIZE	A	B	C	D	E	F	G	H	I	J	K	L	M	N	O	P	Q	R	S	T	U	V	W	X	Y	Z	Area sq. ft.
1																											
2																											
3																											
4	114	48	2 1/4	1/2	5/8	8	6	51 1/2	10 3/4	34 3/4	20 7/8	22 3/4	4 1/4	26 5/8	8 3/4	3 1/2		28 1/8	12 1/2	35 5/8	35 1/2						34.5
5																											

STANDARD SIGN  
G20-52 & G20-53

WISCONSIN DEPT OF TRANSPORTATION

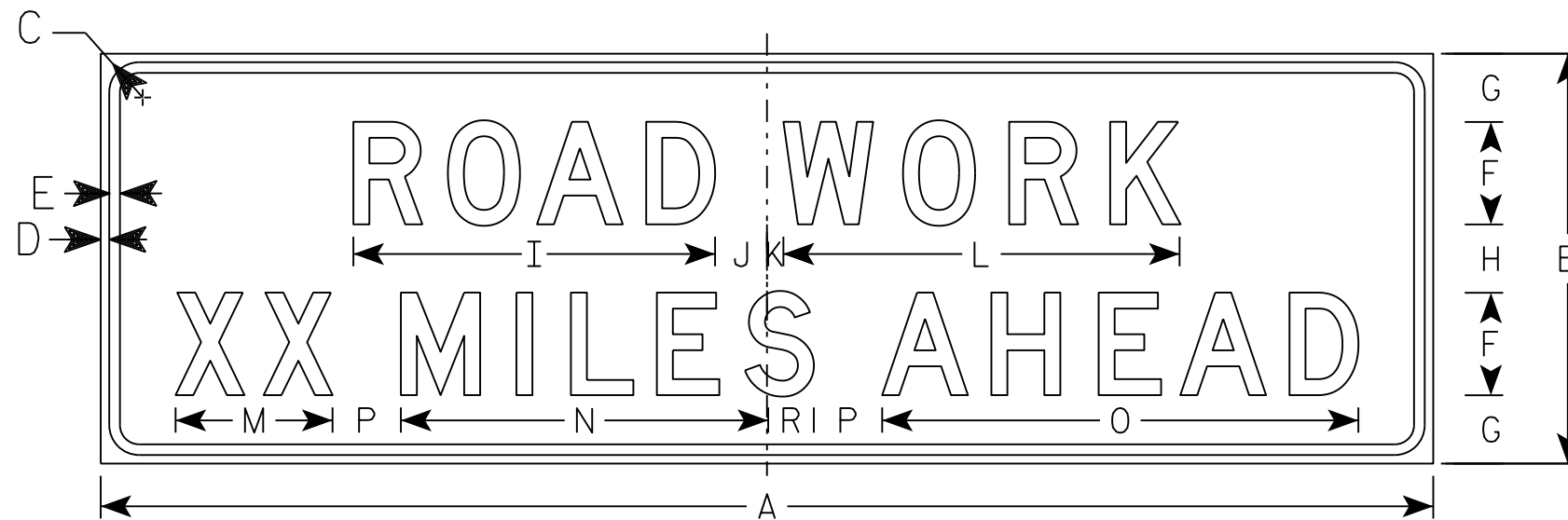
APPROVED *Matthew R. Rauch*  
for State Traffic Engineer

DATE 3/16/18 PLATE NO. G20-52.3

PROJECT NO: \_\_\_\_\_ HWY: \_\_\_\_\_ COUNTY: \_\_\_\_\_ SHEET NO: **E**

NOTES

1. Sign is Type II - Type F Reflective
2. Color:  
Background - Orange  
Message - Black
3. Message Series - D
4. Corners may be square or rounded when base material is plywood but borders shall be rounded as shown. When base material is metal the corners and borders shall be rounded.
5. Round distance to nearest whole Mile and substitute appropriate numeral and adjust spacing to achieve proper balance.



G20-55

7

7

SIZE	A	B	C	D	E	F	G	H	I	J	K	L	M	N	O	P	Q	R	S	T	U	V	W	X	Y	Z	Area sq. ft.
1																											
2	78	24	1 1/8	3/8	1/2	6	4	4	21 1/8	3	1	23 1/4	9 1/4	21 1/2	27 7/8	4		2 5/8									13.0
3	78	24	1 1/8	3/8	1/2	6	4	4	21 1/8	3	1	23 1/2	9 1/4	21 1/2	27 7/8	4		2 5/8									13.0
4	102	30	2 1/4	1/2	5/8	8	4 1/2	5	28 1/4	4 3/8	1 5/8	31	12 1/4	28 5/8	37 1/8	6		3 5/8									21.25
5	132	36	3	3/4	1	10	5	6	35 1/4	6 1/4	2 3/4	38 3/4	15 3/8	35 3/4	46 1/2	9		4 5/8									33.0

STANDARD SIGN  
G20-55

WISCONSIN DEPT OF TRANSPORTATION

APPROVED *Matthew R. Rauch*  
for State Traffic Engineer

DATE 3/19/18 PLATE NO. G20-55.4

PROJECT NO: \_\_\_\_\_ HWY: \_\_\_\_\_ COUNTY: \_\_\_\_\_ SHEET NO: **E**

NOTES

1. Sign is Type II - Type F Reflective
2. Color:  
Background - Orange  
Message - Black
3. Message Series - D
4. Substitute appropriate numeral and adjust spacing to achieve proper balance.



7

7

SIZE	A	B	C	D	E	F	G	H	I	J	K	L	M	N	O	P	Q	R	S	T	U	V	W	X	Y	Z	Area sq. ft.
1																											
2																											
3	72	36	1 1/8	1/2	5/8	6	5	4	15 5/8	1 5/8	5	9 1/4	21 1/4	3 1/2	1 1/2	28 3/8		29 7/8	1 3/4	3 1/4	28 1/2						18.0
4	96	48	2 1/4	3/4	1	8	6 1/2	5 1/2	20 5/8	2 1/4	6	12 1/4	28 1/4	4 3/8	1 5/8	31		39 1/4	2	4	37 7/8						32.0
5																											

STANDARD SIGN  
G20-57

WISCONSIN DEPT OF TRANSPORTATION

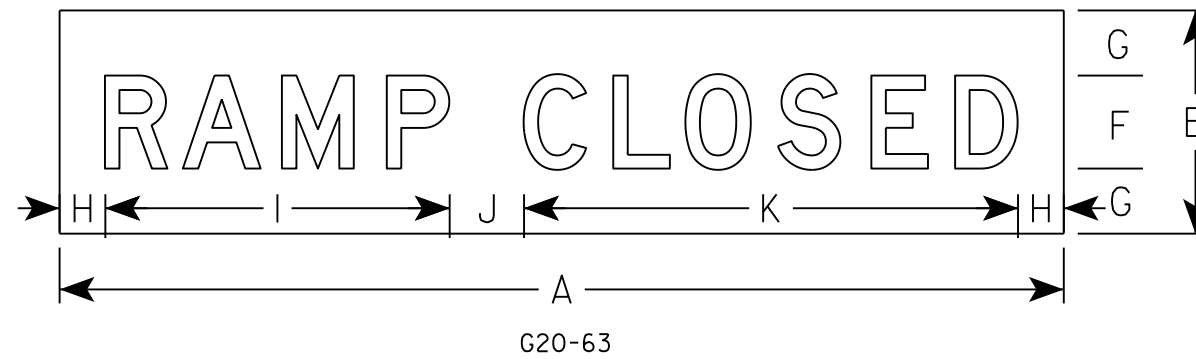
APPROVED *Matthew R Rauch*  
For State Traffic Engineer

DATE 3/1/17 PLATE NO. G20-57.3

PROJECT NO: \_\_\_\_\_ HWY: \_\_\_\_\_ COUNTY: \_\_\_\_\_ SHEET NO: **E**

NOTES

1. Sign is Type II - Type F Reflective
2. Color:  
Background - Orange  
Message - Black
3. Message Series - D
4. Material shall be .040 aluminum



7

7

SIZE	A	B	C	D	E	F	G	H	I	J	K	L	M	N	O	P	Q	R	S	T	U	V	W	X	Y	Z	Area sq. ft.
1																											
2																											
3	72	12				6	3	6	22 1/8	6	31 7/8																6.0
4	108	24				10	7	4 7/8	37	8	53 1/8																18.0
5																											

STANDARD SIGN  
G20-63

WISCONSIN DEPT OF TRANSPORTATION

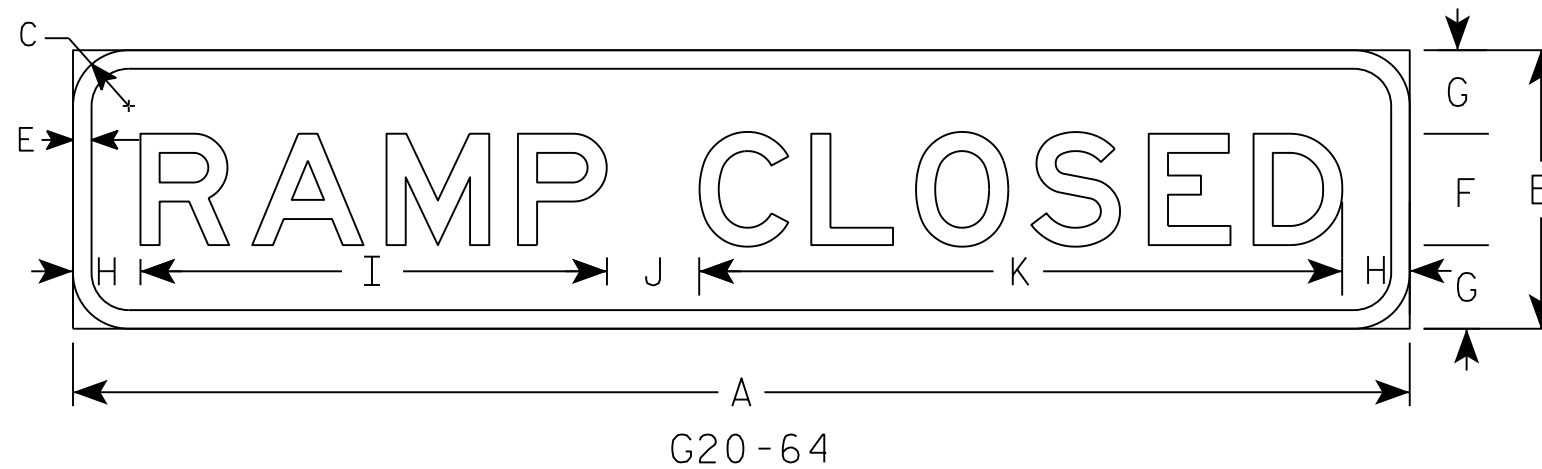
APPROVED *Matthew R. Rauch*  
For State Traffic Engineer

DATE 11/8/17 PLATE NO. G20-63.1

PROJECT NO: \_\_\_\_\_ HWY: \_\_\_\_\_ COUNTY: \_\_\_\_\_ SHEET NO: \_\_\_\_\_ **E**

NOTES

1. Sign is Type II - Type F Reflective
2. Color:  
Background - Orange  
Message - Black
3. Message Series - E



7

7

SIZE	A	B	C	D	E	F	G	H	I	J	K	L	M	N	O	P	Q	R	S	T	U	V	W	X	Y	Z	Area sq. ft.
1																											
2																											
3																											
4	144	30	6		2	12	9	7 1/4	50 1/4	10	69 1/4																30.0
5																											

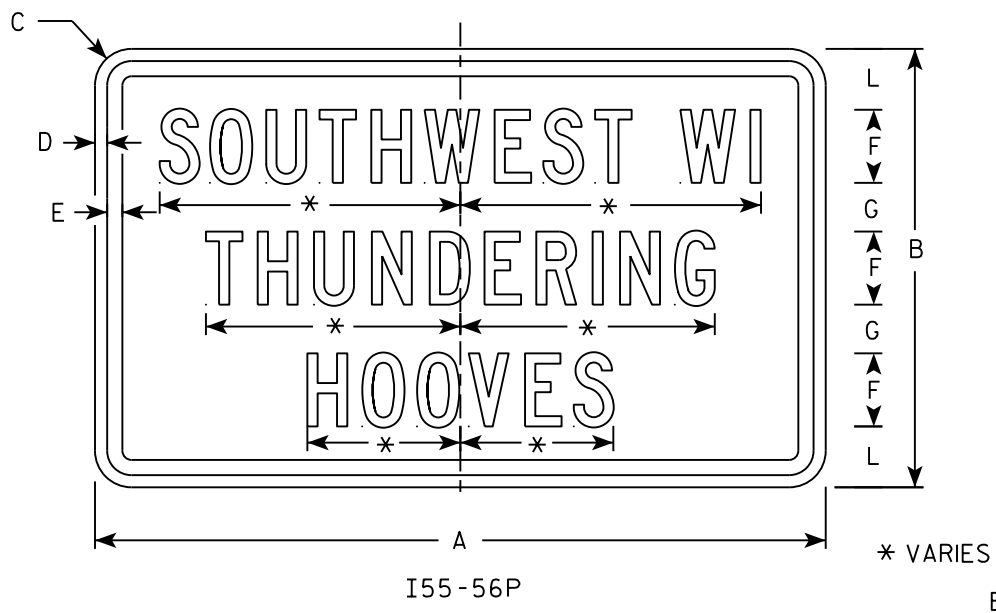
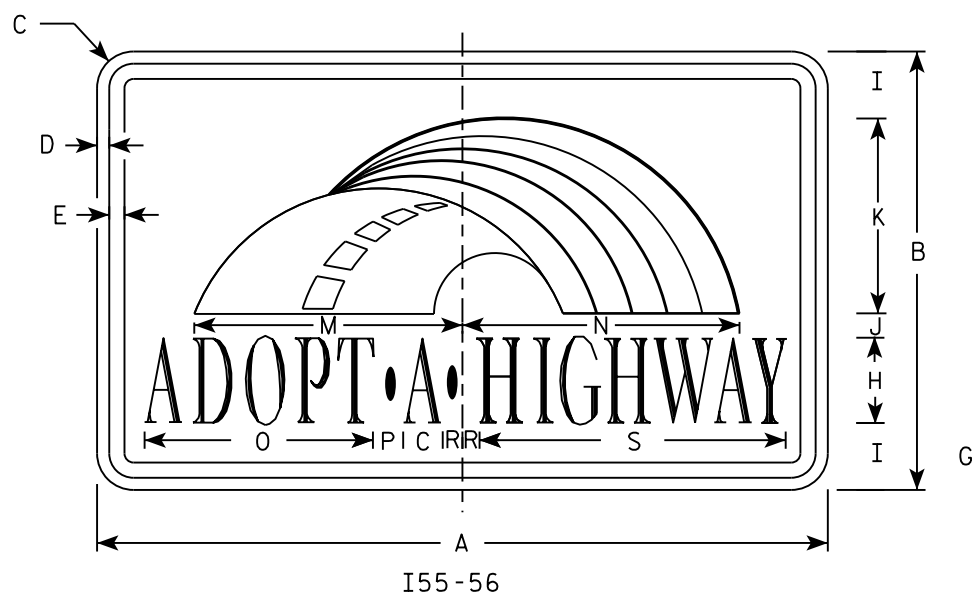
STANDARD SIGN  
G20-64

WISCONSIN DEPT OF TRANSPORTATION

APPROVED Matthew R. Rauch  
for State Traffic Engineer

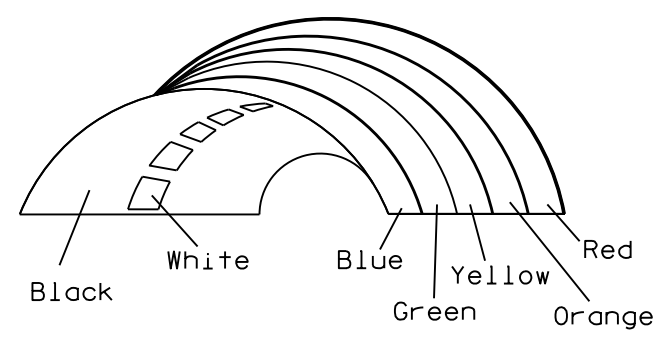
DATE 3/13/18 PLATE NO. G20-64.1

PROJECT NO: \_\_\_\_\_ HWY: \_\_\_\_\_ COUNTY: \_\_\_\_\_ SHEET NO: \_\_\_\_\_ **E**



\* VARIES

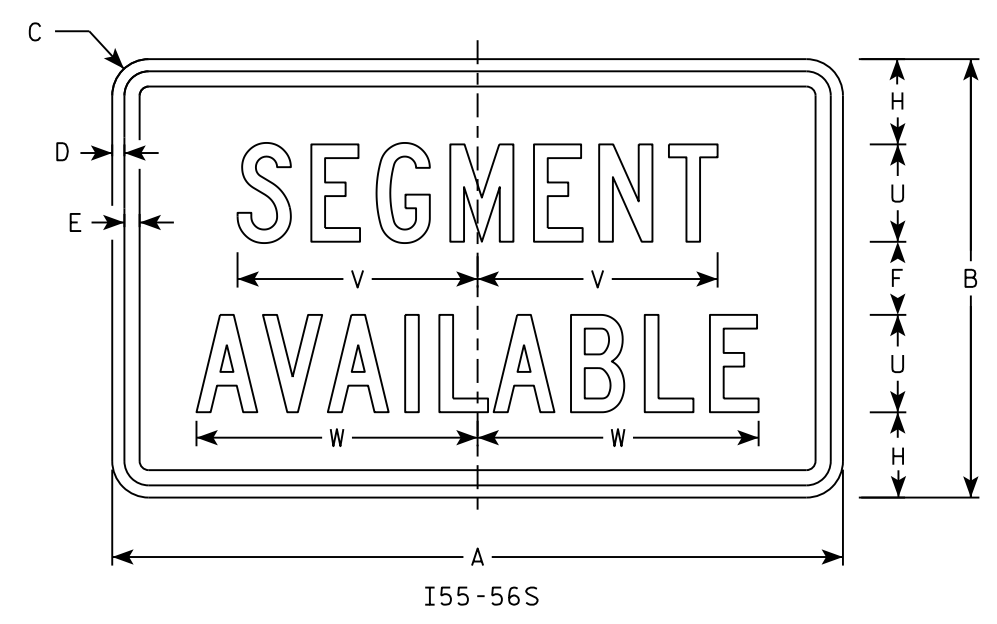
Background Colors of Symbol\*



\*1/4" Black Border between each color of rainbow and border of rainbow

NOTES

1. Sign is Type II - Type H Reflective
2. Color:  
Background - White  
Message - (See Note 4)
3. Message Series - (See Note 5)
4. Border - Blue  
Adopt a Highway - Red  
All other Text - Blue
5. Adopt a Highway - Dutch 8011L  
All other Text - Series C
6. Contractor shall provide and install a new post bracket in accordance with the I55-56B sign detail.



7

7

SIZE	A	B	C	D	E	F	G	H	I	J	K	L	M	N	O	P	Q	R	S	T	U	V	W	X	Y	Z	Area sq. ft.
1																											
2	30	18	1 1/2	1/2	5/8	3	2	3 1/2	2 3/4	1	8	2 1/2	11 1/4	11 1/8	9 3/8	1 1/4		3/4	12 5/8	7 1/2	4	9 7/8	11 1/2				3.75
3																											
4																											
5																											

STANDARD SIGN  
I55-56

WISCONSIN DEPT OF TRANSPORTATION

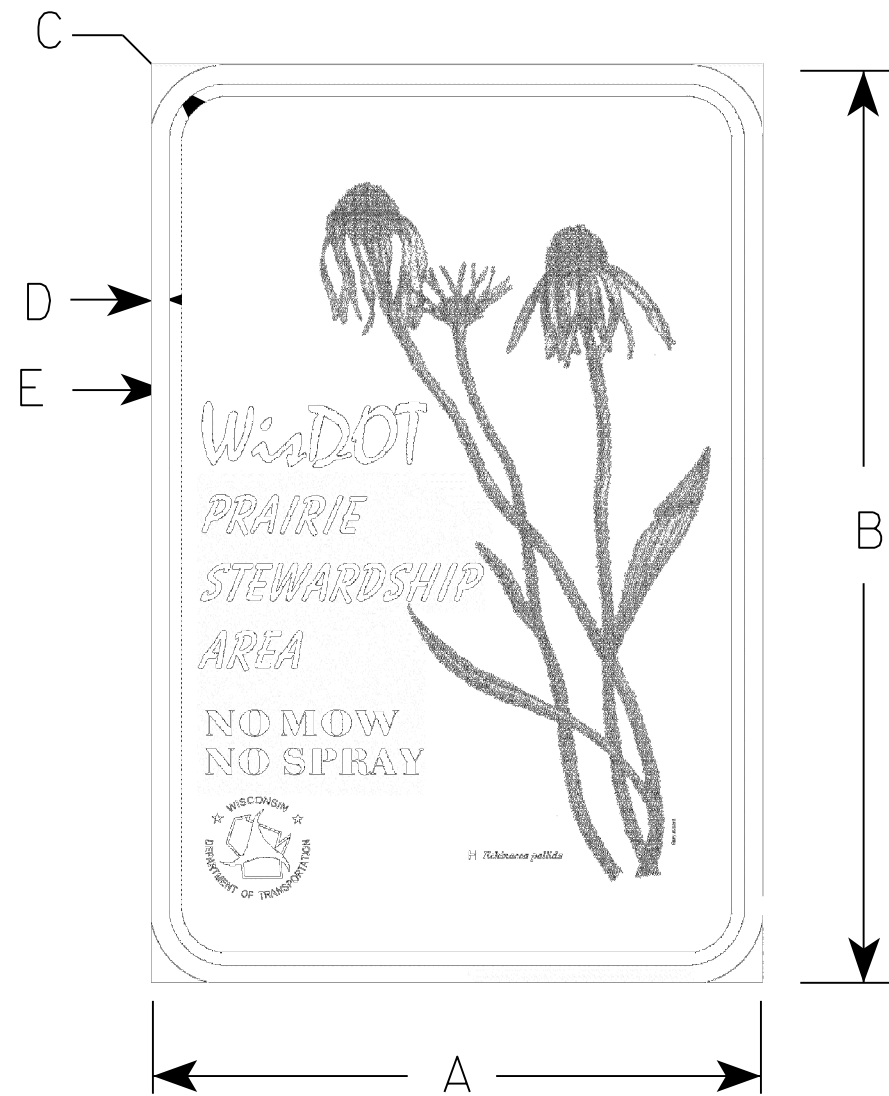
APPROVED *Matthew R. Rauch*  
for State Traffic Engineer

DATE 2/20/18 PLATE NO. I55-56.4

PROJECT NO: \_\_\_\_\_ HWY: \_\_\_\_\_ COUNTY: \_\_\_\_\_ SHEET NO: \_\_\_\_\_ E

NOTES

1. Sign is Type II - Type H Reflective
2. Color:  
Background - White  
Message - Black
3. Message Series - Special Fonts
4. Corners and border shall be rounded.
5. To obtain file for manufacture of the sign contact  
DOTBTOSignDetails@dot.wi.gov



156-50

7

7

SIZE	A	B	C	D	E	F	G	H	I	J	K	L	M	N	O	P	Q	R	S	T	U	V	W	X	Y	Z	Area sq. ft.
1																											
2S	12	18	1 1/8	3/8	3/8																						1.5
2M																											
3																											
4																											
5																											

STANDARD SIGN  
I56-50

WISCONSIN DEPT OF TRANSPORTATION

APPROVED Matthew R. Rauch  
for State Traffic Engineer

DATE 9/12/17 PLATE NO. I56-50.1

PROJECT NO: \_\_\_\_\_ HWY: \_\_\_\_\_ COUNTY: \_\_\_\_\_ SHEET NO: **E**



NOTES

1. Sign is Type II - Type H Reflective
2. Color:  
Background - WHITE  
Message - BLACK
3. Message Series - B
4. USE CORRECT PHONE NUMBER ACCORDING TO REGION,  
OPTICALLY CENTER CORRECT PHONE NUMBER



7

7

SIZE	A	B	C	D	E	F	G	H	I	J	K	L	M	N	O	P	Q	R	S	T	U	V	W	X	Y	Z	Area sq. ft.
1																											
2	48	54	2 1/4	1/2	5/8	8	4	3 1/2	6	7	2 1/2	12 1/2	17 1/2	19 1/4	2 1/4	3/4		8 5/8	3	9	21	17					18.0
3																											
4																											
5																											

STANDARD SIGN  
I57-10W

WISCONSIN DEPT OF TRANSPORTATION

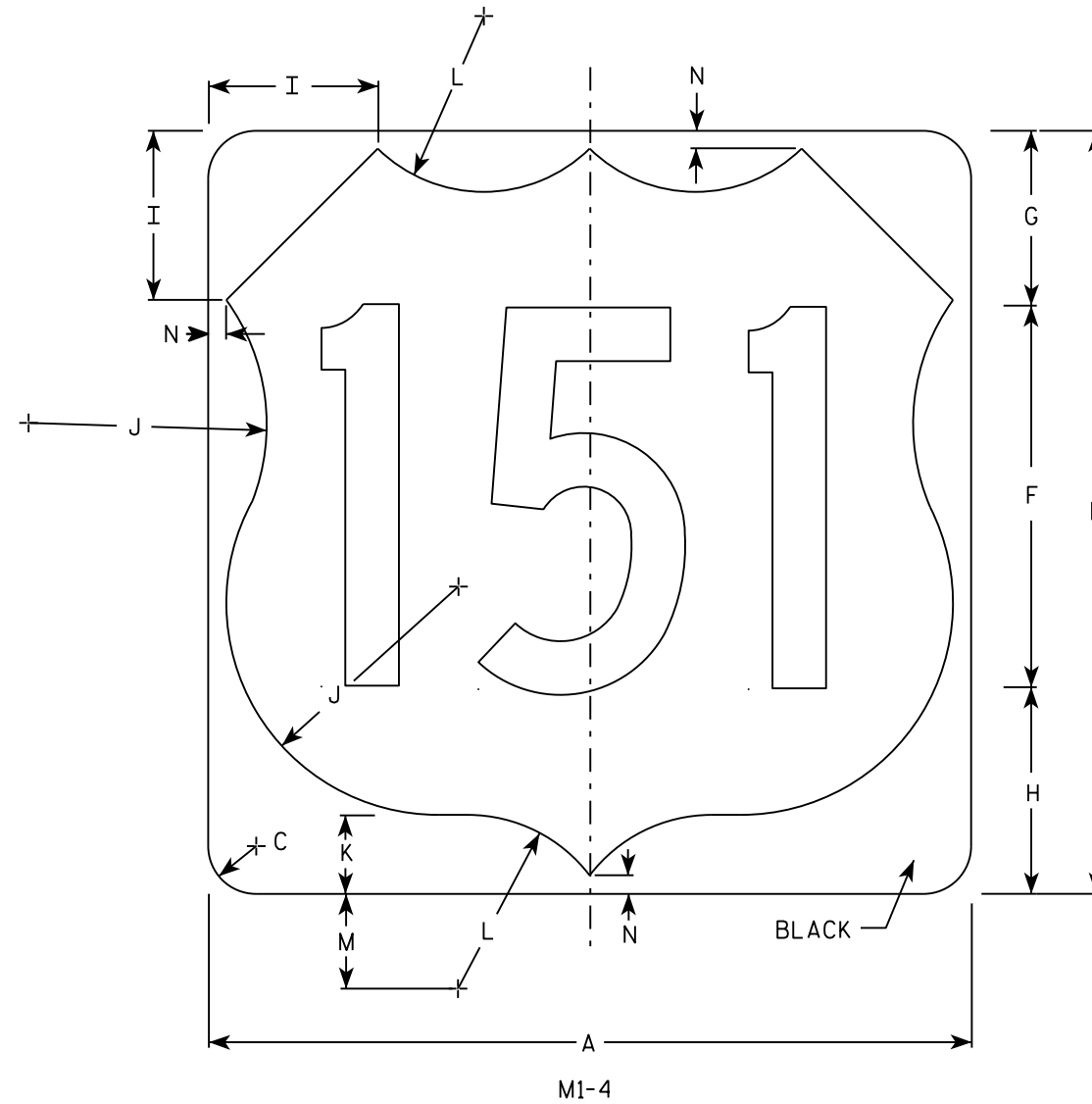
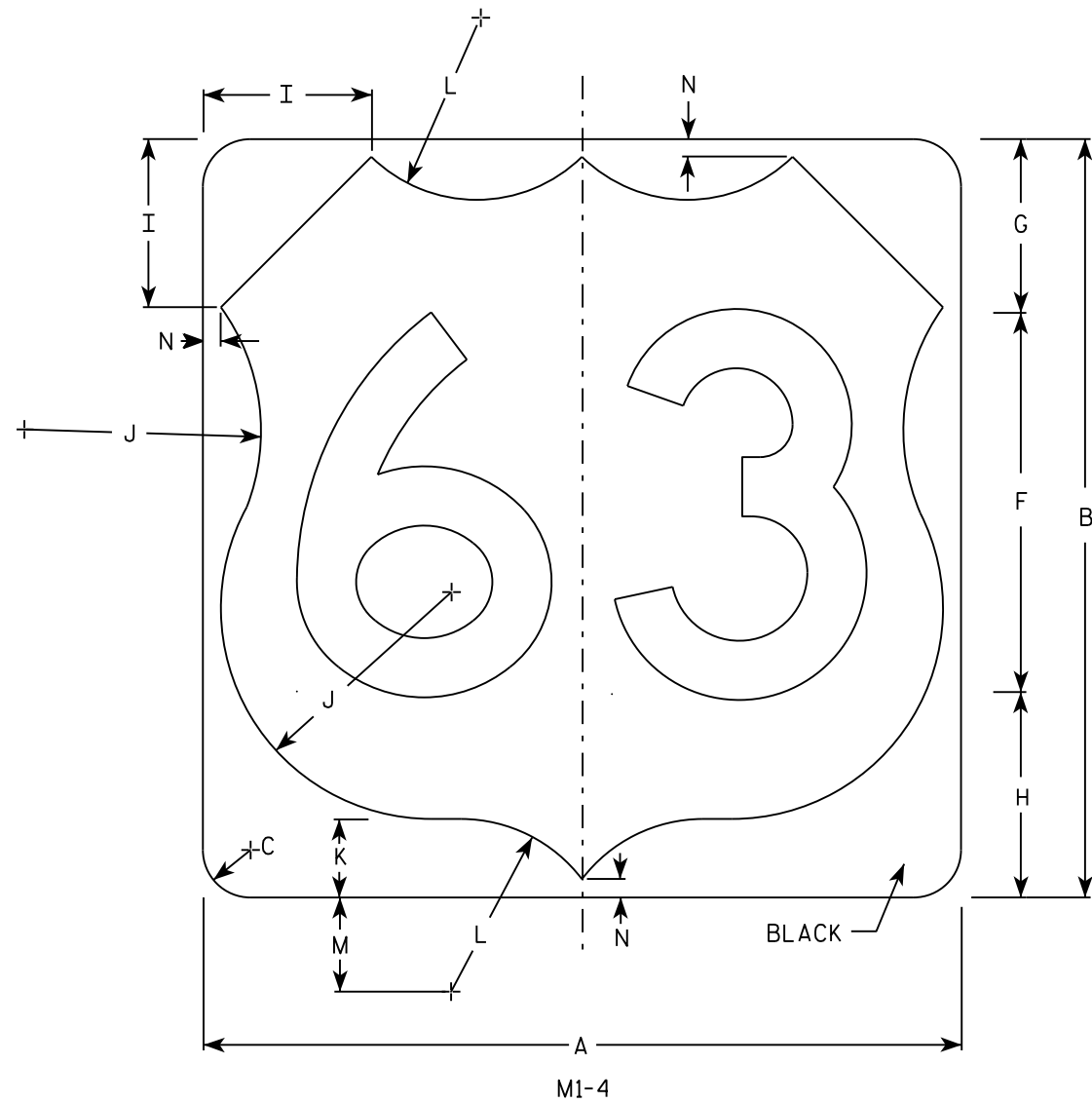
APPROVED *Matthew R. Rauch*  
for State Traffic Engineer

DATE 3/16/18 PLATE NO. I57-10W.2

PROJECT NO: \_\_\_\_\_ HWY: \_\_\_\_\_ COUNTY: \_\_\_\_\_ SHEET NO: **E**

NOTES

1. Sign is Type II - Type H Reflective
2. Color:  
Background - White  
Message - Black
3. Message Series - D except 3 number signs Series C
4. Corners may be square or rounded when base material is plywood but borders shall be rounded as shown. When base material is metal, the corners and borders shall be rounded.



7

7

SIZE	A	B	C	D	E	F	G	H	I	J	K	L	M	N	O	P	Q	R	S	T	U	V	W	X	Y	Z	Area sq. ft.
1																											
2	24	24	1 1/2			12	5 1/2	6 1/2	5	7 1/2	2 1/2	5 1/2	3	1/2													4.0
3	36	36	2 1/4			18	8 1/4	9 1/4	7 1/4	11 1/4	3 3/4	8 1/4	4 1/2	3/4													9.0
4	36	36	2 1/4			18	8 1/4	9 1/4	7 1/4	11 1/4	3 3/4	8 1/4	4 1/2	3/4													9.0
5	36	36	2 1/4			18	8 1/4	9 1/4	7 1/4	11 1/4	3 3/4	8 1/4	4 1/2	3/4													9.0

USH MARKER  
M1-4 FOR ASSEMBLIES

WISCONSIN DEPT OF TRANSPORTATION

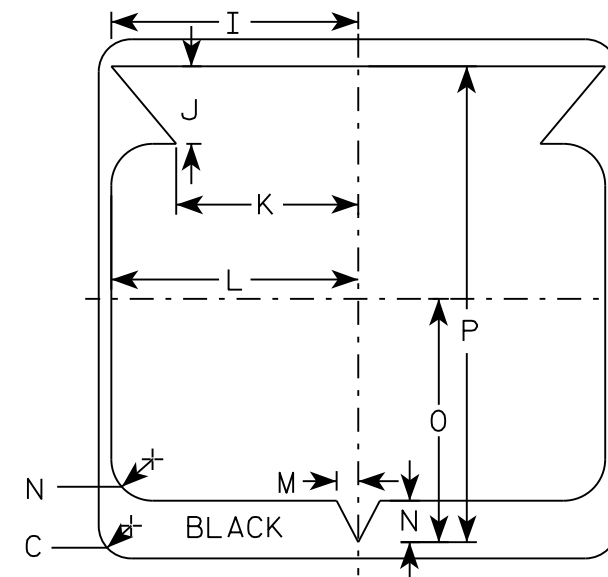
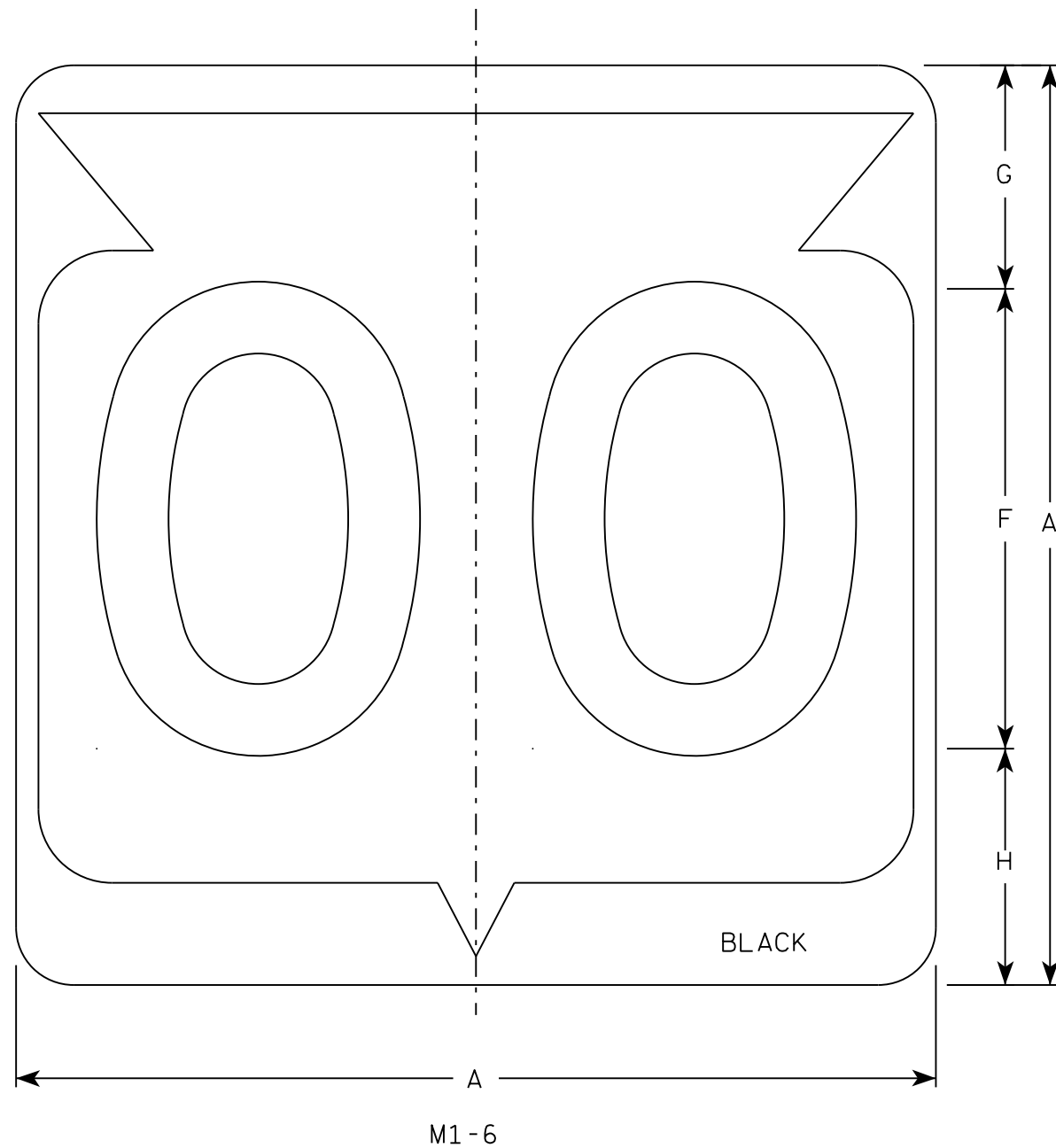
APPROVED *Matthew R Rauch*  
For State Traffic Engineer

DATE 3/16/18 PLATE NO. M1-4.10

PROJECT NO: \_\_\_\_\_ HWY: \_\_\_\_\_ COUNTY: \_\_\_\_\_ SHEET NO: \_\_\_\_\_ **E**

NOTES

1. Sign is Type II - Type H Reflective
2. Color:  
Background - White  
Message - Black
3. Message Series - D except 3 number signs Series C
4. Corners may be square or rounded when base material is plywood but borders shall be rounded as shown. When base material is metal, the corners and borders shall be rounded.



SIZE	A	B	C	D	E	F	G	H	I	J	K	L	M	N	O	P	Q	R	S	T	U	V	W	X	Y	Z	Area sq. ft.
1																											
2	24		1 1/2			12	5 1/2	6 1/2	10 1/4	2 1/2	8 7/8	11 1/2	1	1 7/8	11 1/4	21 7/8											4.0
3	36		2 1/4			18	8 3/4	9 1/4	15 3/8	5 3/8	12 5/8	17 1/8	1 1/2	2 7/8	16 7/8	33											9.0
4	36		2 1/4			18	8 3/4	9 1/4	15 3/8	5 3/8	12 5/8	17 1/8	1 1/2	2 7/8	16 7/8	33											9.0
5	36		2 1/4			18	8 3/4	9 1/4	15 3/8	5 3/8	12 5/8	17 1/8	1 1/2	2 7/8	16 7/8	33											9.0

STATE ROUTE MARKER  
M1-6 FOR ASSEMBLIES

WISCONSIN DEPT OF TRANSPORTATION

APPROVED *Matthew R. Rauch*  
for State Traffic Engineer

DATE 3/16/18 PLATE NO. M1-6.10

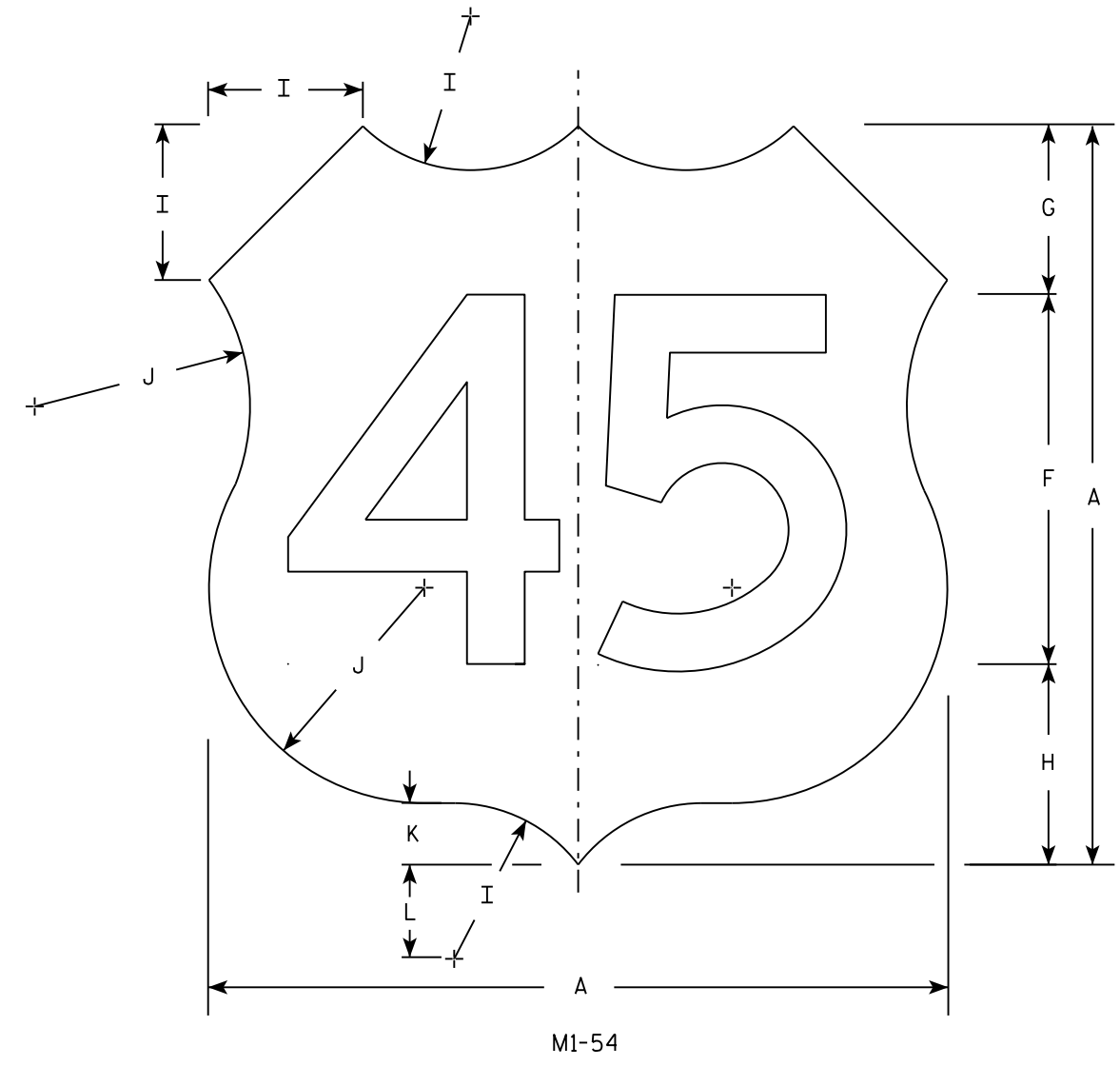
PROJECT NO: \_\_\_\_\_ HWY: \_\_\_\_\_ COUNTY: \_\_\_\_\_ SHEET NO: **E**

7

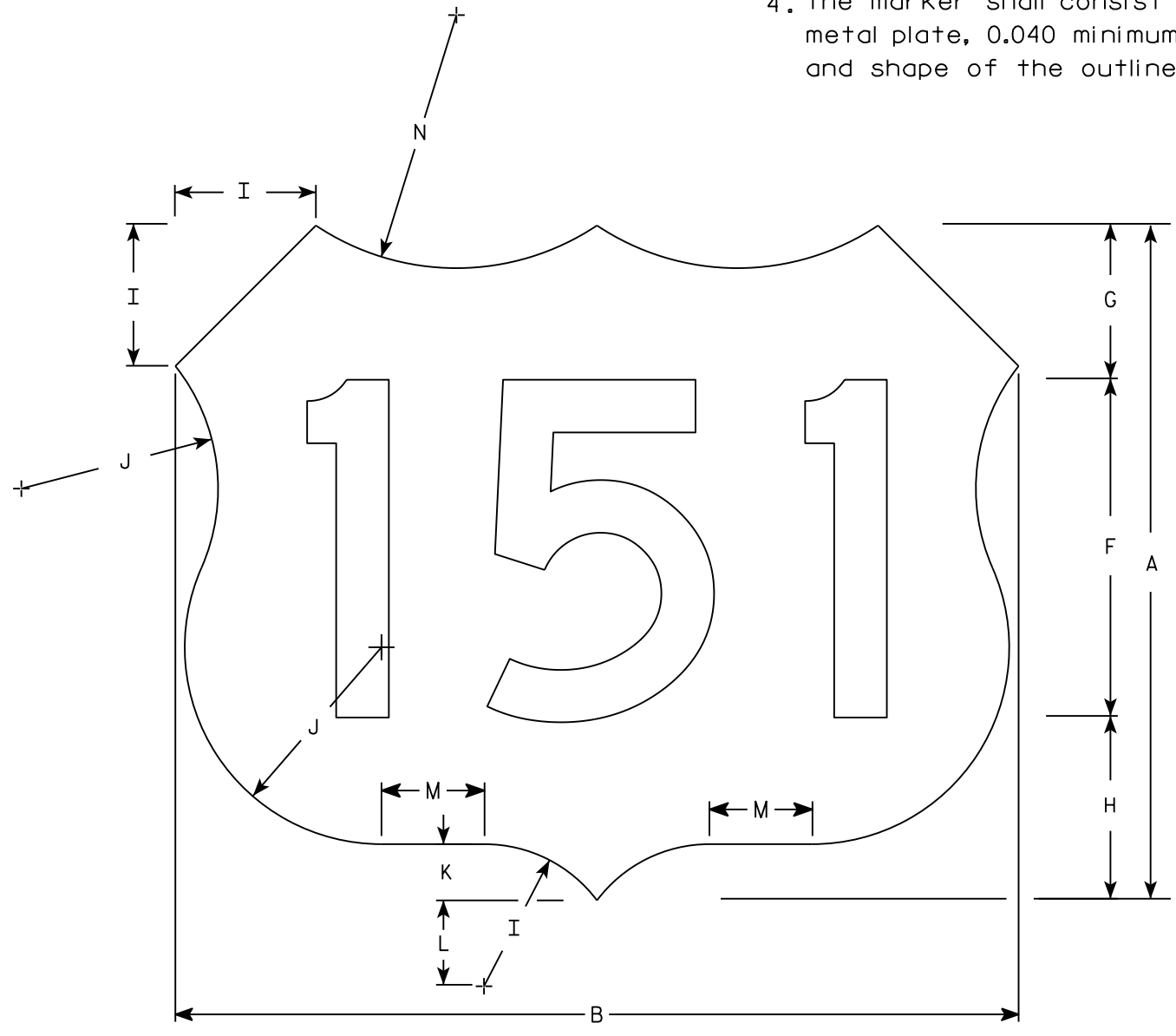
7

**NOTES**

1. Sign is Type II - Type SH Reflective
2. Color:  
Background - White  
Message - Black
3. Message Series - D
4. The marker shall consist of a non-corrosive metal plate, 0.040 minimum thickness, of the size and shape of the outline.



M1-54



M1-54A

7

7

SIZE	A	B	C	D	E	F	G	H	I	J	K	L	M	N	O	P	Q	R	S	T	U	V	W	X	Y	Z	M1-54 Areq. sq. ft.	M1-54A Areq. sq. ft.
1																												
2																												
3																												
4	24	30				12	5 1/2	6 1/2	5	7	2	3	3 5/8	9												4.65	8.54	
5	36	45				18	8 1/4	9 3/4	7 1/2	10 1/2	3	4 1/2	5 1/2	13 1/2												6.97	11.99	

**USH MARKER M1-54  
FOR GUIDE SIGNS**

WISCONSIN DEPT OF TRANSPORTATION

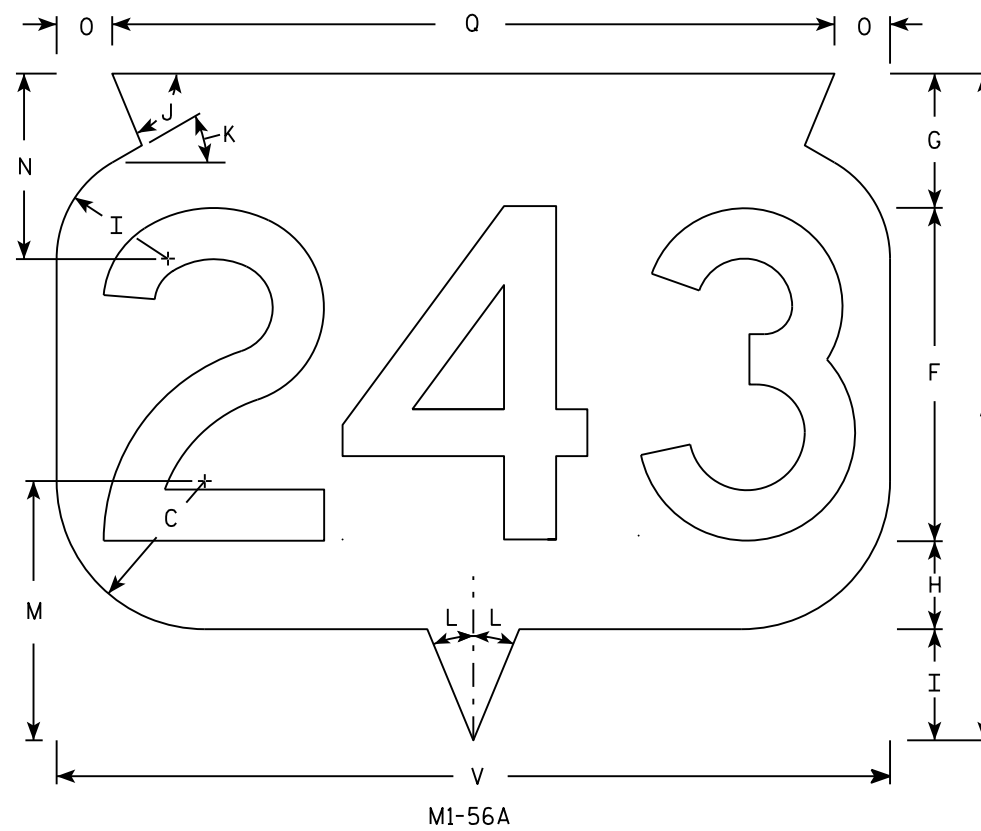
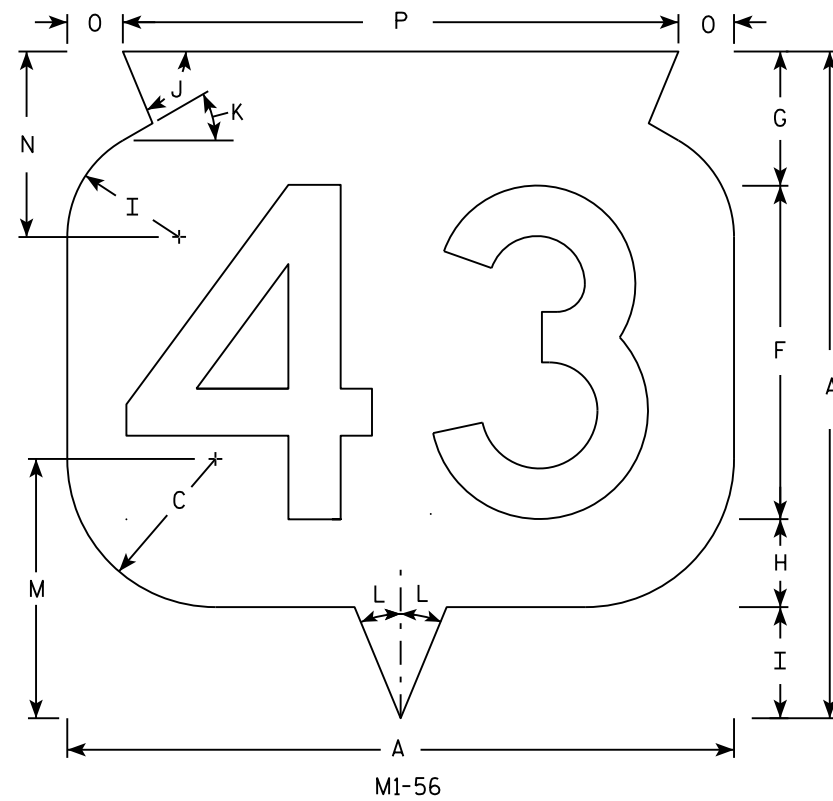
APPROVED *Matthew R. Rauch*  
for State Traffic Engineer

DATE 3/16/18 PLATE NO. M1-54.13

PROJECT NO: \_\_\_\_\_ HWY: \_\_\_\_\_ COUNTY: \_\_\_\_\_ SHEET NO: **E**

NOTES

1. Sign is Type II - Type SH Reflective
2. Color:  
Background - White  
Message - Black
3. Message Series - D
4. The marker shall consist of a non-corrosive metal plate, 0.040 minimum thickness, of the size and shape of the outline.



SIZE	A	B	C	D	E	F	G	H	I	J	K	L	M	N	O	P	Q	R	S	T	U	V	W	X	Y	Z	M1-56 Area sq. ft.	M1-56A Area sq. ft.
1																												
2																												
3																												
4	24		5 <sup>3</sup> / <sub>8</sub>			12	4 <sup>7</sup> / <sub>8</sub>	3 <sup>1</sup> / <sub>8</sub>	4	67 <sup>1</sup> / <sub>2</sub> °	30°	22 <sup>1</sup> / <sub>2</sub> °	9 <sup>3</sup> / <sub>8</sub>	6 <sup>5</sup> / <sub>8</sub>	2	20	26									4.0	5.0	
5	36		8			18	7 <sup>1</sup> / <sub>4</sub>	4 <sup>3</sup> / <sub>4</sub>	6	67 <sup>1</sup> / <sub>2</sub> °	30°	22 <sup>1</sup> / <sub>2</sub> °	14	10	3	30	39									9.0	11.25	

STH MARKER  
M1-56 & M1-56A  
FOR GUIDE SIGNS

WISCONSIN DEPT OF TRANSPORTATION

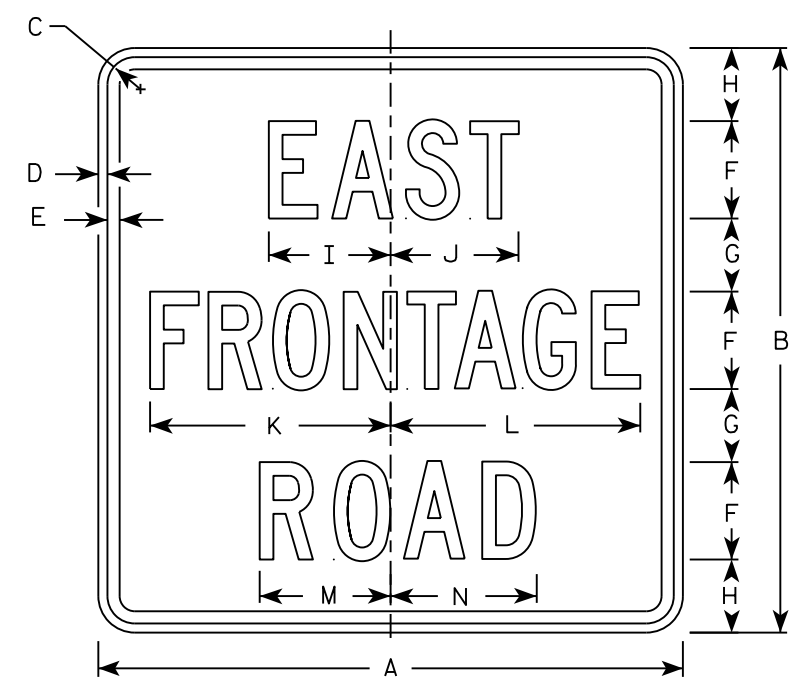
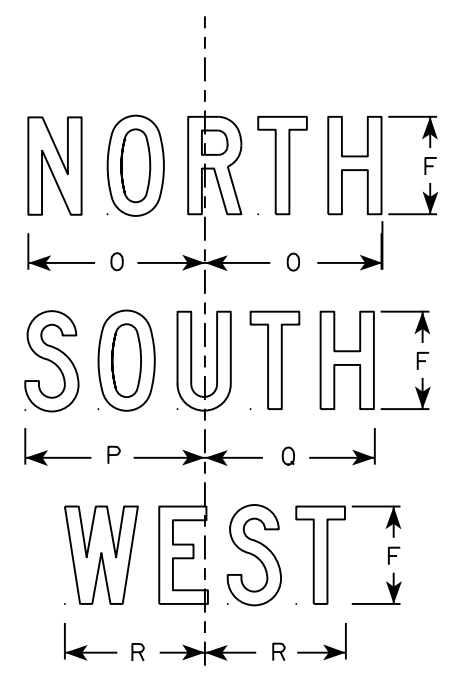
APPROVED *Matthew R. Rauch*  
For State Traffic Engineer

DATE 3/16/18 PLATE NO. M1-56.10

PROJECT NO: \_\_\_\_\_ HWY: \_\_\_\_\_ COUNTY: \_\_\_\_\_ SHEET NO: **E**

NOTES

1. Sign is Type II - Type H Reflective
2. Color:  
Background - White  
Message - Black
3. Message Series - C
4. Substitute appropriate message as required.



7

7

SIZE	A	B	C	D	E	F	G	H	I	J	K	L	M	N	O	P	Q	R	S	T	U	V	W	X	Y	Z	Area sq. ft.
1																											
2	24	24	1 1/8	3/8	1/2	4	3	3	5	5 1/4	9 7/8	10 1/4	5 3/8	6	7 1/4	7 3/8	7	5 3/4									4.0
3																											
4	36	36	1 3/8	5/8	5/8	6	4 1/2	4 1/2	7 1/2	7 7/8	14 3/4	15 3/8	8	9	10 7/8	11	10 1/2	8 5/8									9.0
5																											

STANDARD SIGN  
M1-95A

WISCONSIN DEPT OF TRANSPORTATION

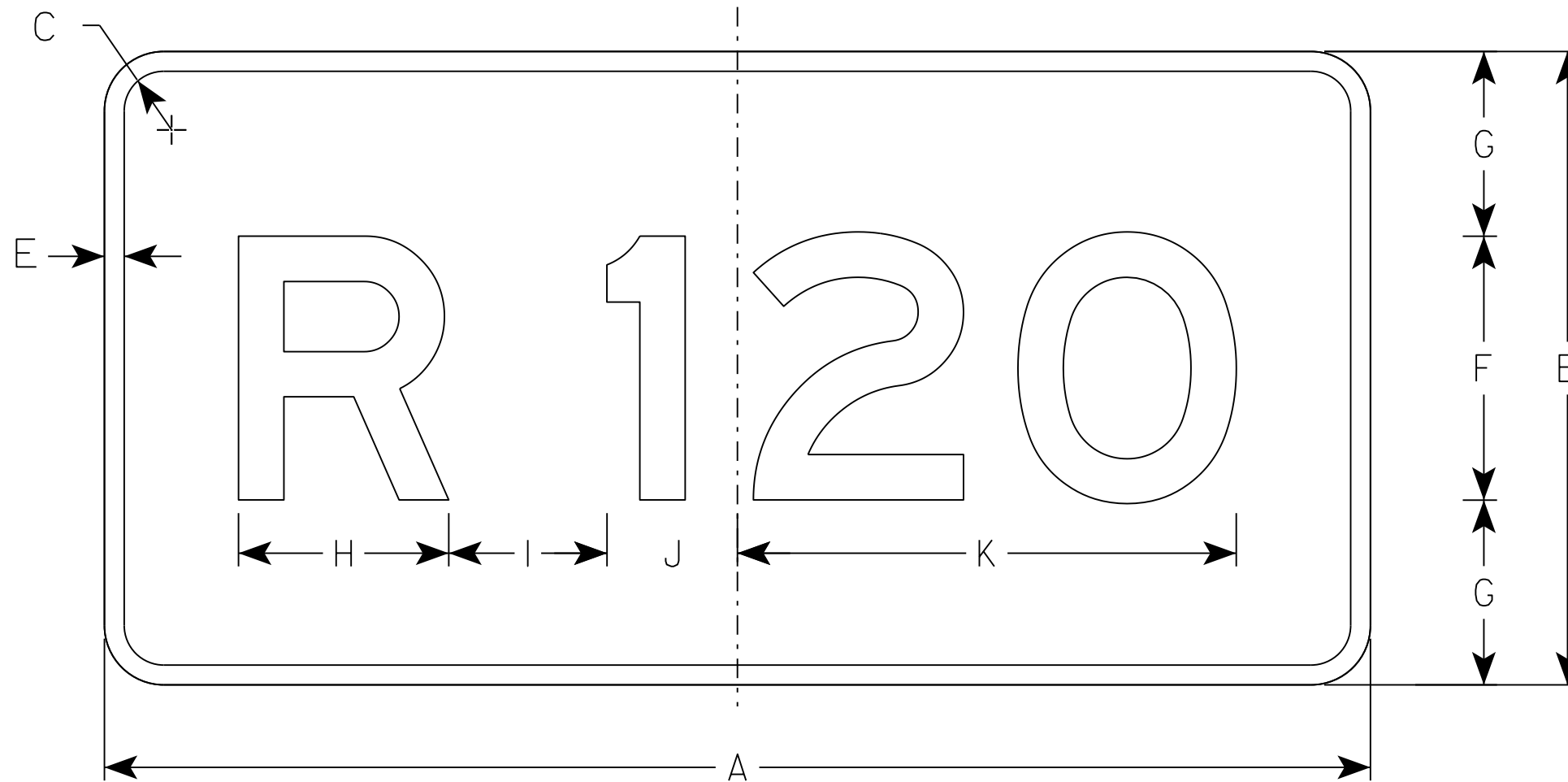
APPROVED *Matthew R. Rauch*  
for State Traffic Engineer

DATE 3/15/18 PLATE NO. M1-95A.4

PROJECT NO: \_\_\_\_\_ HWY: \_\_\_\_\_ COUNTY: \_\_\_\_\_ SHEET NO: **E**

NOTES

1. Sign is Type II - Type H Reflective
2. Color:  
Background - Brown  
Message - Yellow
3. Message Series - E
4. Substitute appropriate numeral and optically center



MR4-53

SIZE	A	B	C	D	E	F	G	H	I	J	K	L	M	N	O	P	Q	R	S	T	U	V	W	X	Y	Z	Area sq. ft.
1																											
2	24	12	1 1/8		3/8	5	3 1/2	4	3	2 1/2	9 1/2																2.0
3																											
4																											
5																											

STANDARD SIGN  
MR4-53

WISCONSIN DEPT OF TRANSPORTATION

APPROVED *Matthew R. Rauch*  
for State Traffic Engineer

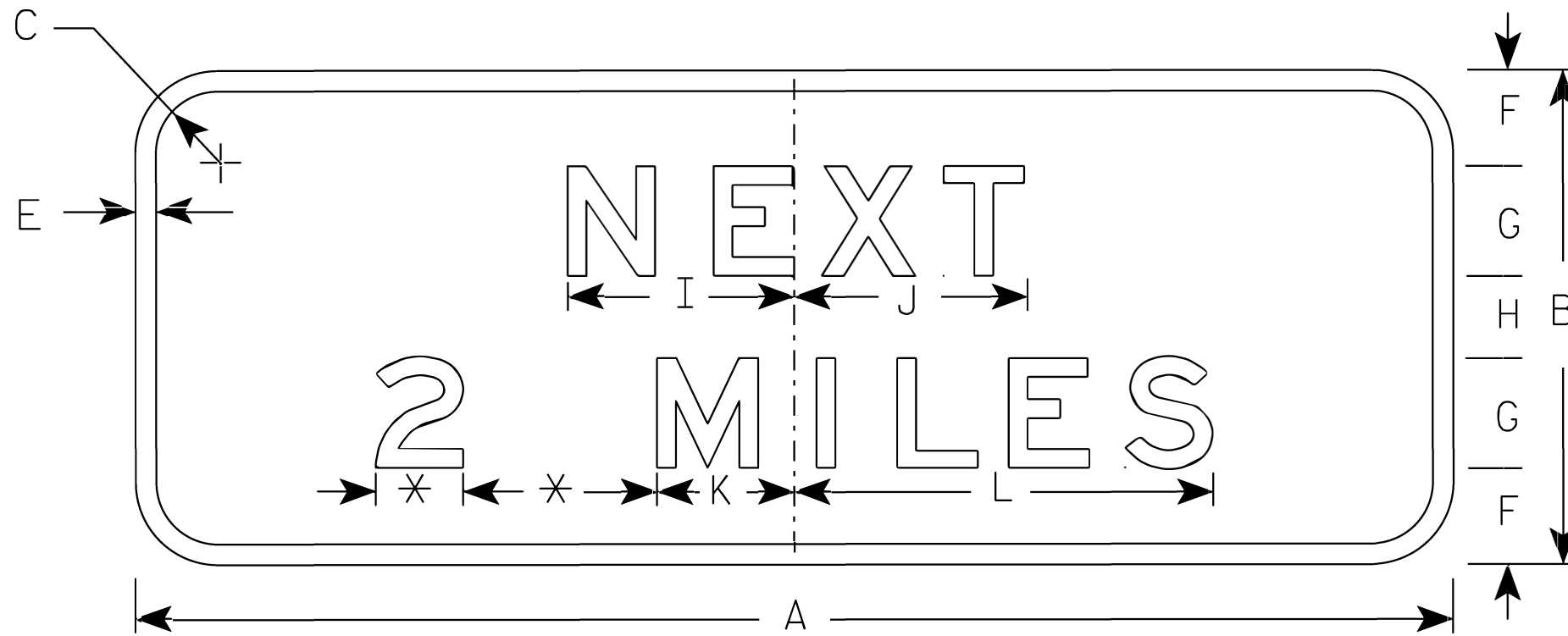
DATE 3/20/18 PLATE NO. MR4-53.2

PROJECT NO: \_\_\_\_\_ HWY: \_\_\_\_\_ COUNTY: \_\_\_\_\_ SHEET NO: **E**

NOTES

1. Sign is Type II - Type H Reflective
2. Color:  
Background - Brown  
Message - Yellow
3. Message Series - E
4. Round distance to nearest whole Mile and substitute appropriate numerals and adjust spacing to achieve proper balance.

\* (See Note 4)



MR5-53

7

7

SIZE	A	B	C	D	E	F	G	H	I	J	K	L	M	N	O	P	Q	R	S	T	U	V	W	X	Y	Z	Area sq. ft.
1																											
2	24	9	1 1/8		3/8	1 3/4	2	1 1/2	4 1/8	4 1/4	2 1/2	7 5/8															1.5
3																											
4																											
5																											

STANDARD SIGN  
MR5-53

WISCONSIN DEPT OF TRANSPORTATION

APPROVED *Matthew R. Raub*  
For State Traffic Engineer

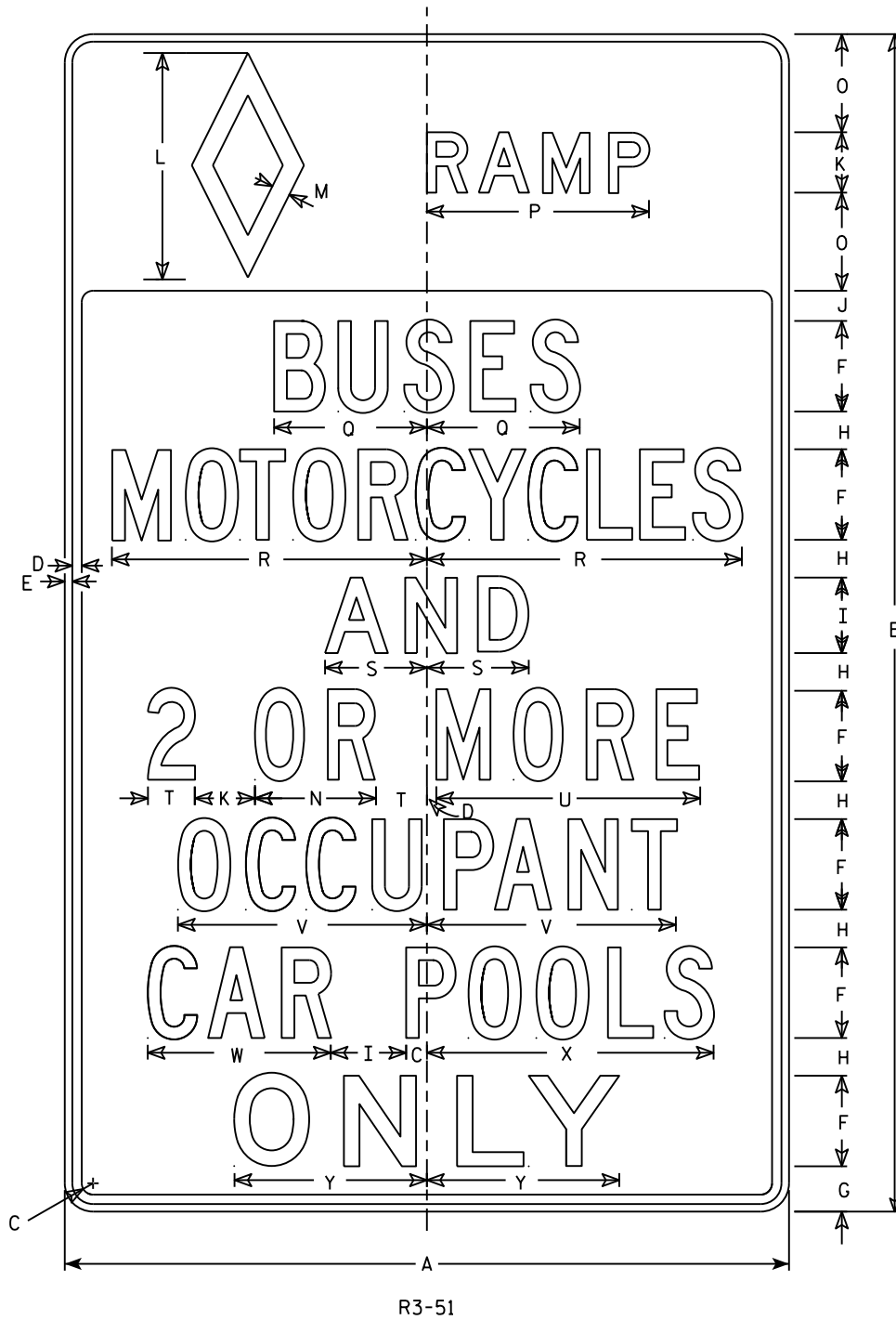
DATE 3/20/18 PLATE NO. MR5-53.5

PROJECT NO: \_\_\_\_\_ HWY: \_\_\_\_\_ COUNTY: \_\_\_\_\_ SHEET NO: **E**



NOTES

1. Sign is Type II - Type H Reflective
2. Color:  
Background - See Note 5  
Message - See Note 5
3. Message Series - See Note 6
4. Top symbol and legend are white Type H Reflective with Black background.  
Bottom legend is Black with White Type H Reflective background.
5. Lines 1 and 4 are Series D.  
Lines 2, 3, 5, 6, and 7 are Series C.  
Bottom Line is Series E.



7

7

SIZE	A	B	C	D	E	F	G	H	I	J	K	L	M	N	O	P	Q	R	S	T	U	V	W	X	Y	Z	Area sq. ft.
1																											
2S	48	78	1 3/8	5/8	1/2	6	3	2 1/2	5	2	4	15	1 1/4	8	6 1/2	14 3/4	10 1/8	20 7/8	6 3/4	3 1/8	17 1/2	16 1/2	12 1/8	19	12 3/4	26.0	
2M	48	78	1 3/8	5/8	1/2	6	3	2 1/2	5	2	4	15	1 1/4	8	6 1/2	14 3/4	10 1/8	20 7/8	6 3/4	3 1/8	17 1/2	16 1/2	12 1/8	19	12 3/4	26.0	
3																											
4																											
5																											

STANDARD SIGN  
R3-51

WISCONSIN DEPT OF TRANSPORTATION

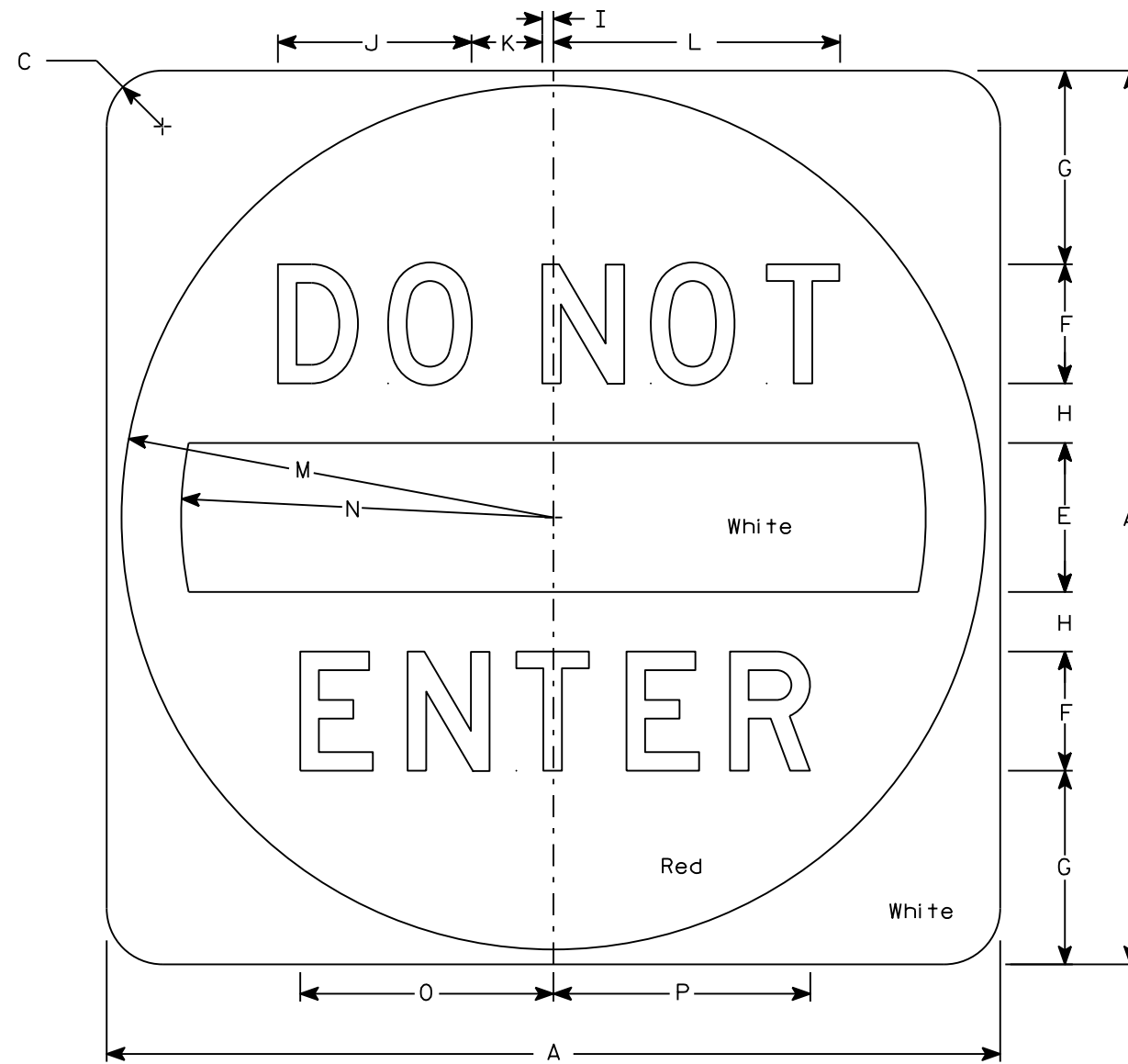
APPROVED *Matthew R. Rauch*  
For State Traffic Engineer

DATE 8/22/17 PLATE NO. R3-51.6

PROJECT NO: \_\_\_\_\_ HWY: \_\_\_\_\_ COUNTY: \_\_\_\_\_ SHEET NO: **E**

NOTES

1. Sign is Type II - Type H Reflective
2. Color:  
Background - See detail  
Message - White
3. Message Series - D



R5-1

7

7

SIZE	A	B	C	D	E	F	G	H	I	J	K	L	M	N	O	P	Q	R	S	T	U	V	W	X	Y	Z	Area sq. ft.
1																											
2S	30		1 7/8		5	4	6 1/2	2	3/8	6 1/2	2 3/8	9 5/8	14 1/2	12 1/2	8 1/2	8 5/8											6.25
2M	36		2 1/4		6	5	7 1/2	2 1/2	1/2	8 1/8	3	12 1/8	17 1/2	15	10 5/8	10 3/4											9.0
3	36		2 1/4		6	5	7 1/2	2 1/2	1/2	8 1/8	3	12 1/8	17 1/2	15	10 5/8	10 3/4											9.0
4	36		2 1/4		6	5	7 1/2	2 1/2	1/2	8 1/8	3	12 1/8	17 1/2	15	10 5/8	10 3/4											9.0
5	48		3		8	6	11	3	5/8	9 3/4	3 5/8	14 1/2	23 1/2	20	12 3/4	12 7/8											16.0

STANDARD SIGN  
R5-1

WISCONSIN DEPT OF TRANSPORTATION

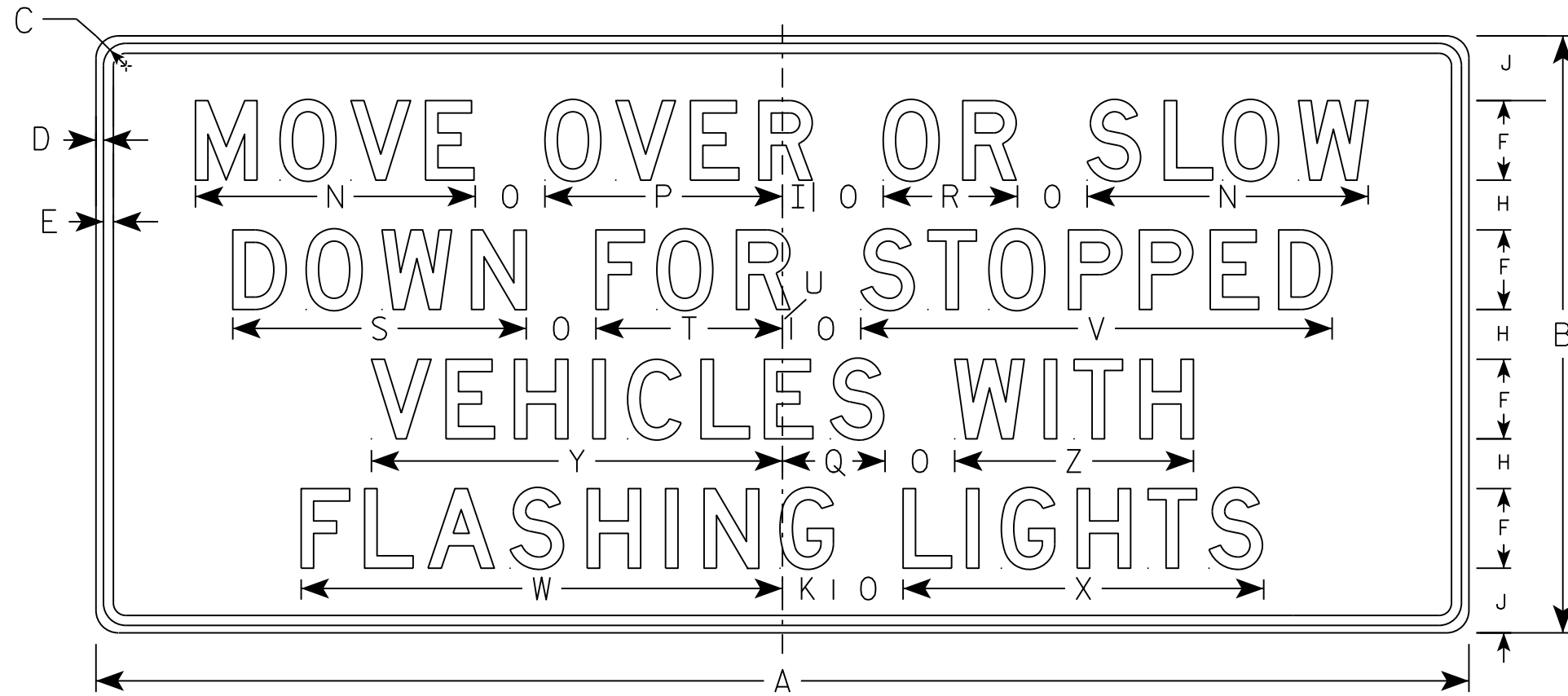
APPROVED *Matthew R. Rauch*  
for State Traffic Engineer

DATE 3/15/18 PLATE NO. R5-1.16

PROJECT NO: \_\_\_\_\_ HWY: \_\_\_\_\_ COUNTY: \_\_\_\_\_ SHEET NO: **E**

NOTES

1. Sign is Type II - Type H Reflective
2. Color: Background - White  
Message - Black
3. Message Series - D



7

7

SIZE	A	B	C	D	E	F	G	H	I	J	K	L	M	N	O	P	Q	R	S	T	U	V	W	X	Y	Z	Area sq. ft.
1																											
2S	48	24	1 1/8	3/8	3/8	3		2 1/4	1 1/4	2 5/8	1 3/4			10 1/4	2 1/2	8 5/8	3 3/4	4 7/8	10 5/8	6 7/8	1/4	17 1/4	17 1/2	13 1/4	15 1/8	8 7/8	8.0
2M	48	24	1 1/8	3/8	3/8	3		2 1/4	1 1/4	2 5/8	1 3/4			10 1/4	2 1/2	8 5/8	3 3/4	4 7/8	10 5/8	6 7/8	1/4	17 1/4	17 1/2	13 1/4	15 1/8	8 7/8	8.0
3																											
4	138	60	2 1/4	3/4	1	8		5	3 1/8	6 1/2	5			28 1/4	7	23 7/8	10 3/8	13 1/2	29 1/2	18 3/4	7/8	47 3/8	48 3/8	36 1/4	41 3/8	24	57.5
5	138	60	2 1/4	3/4	1	8		5	3 1/8	6 1/2	5			28 1/4	7	23 7/8	10 3/8	13 1/2	29 1/2	18 3/4	7/8	47 3/8	48 3/8	36 1/4	41 3/8	24	57.5

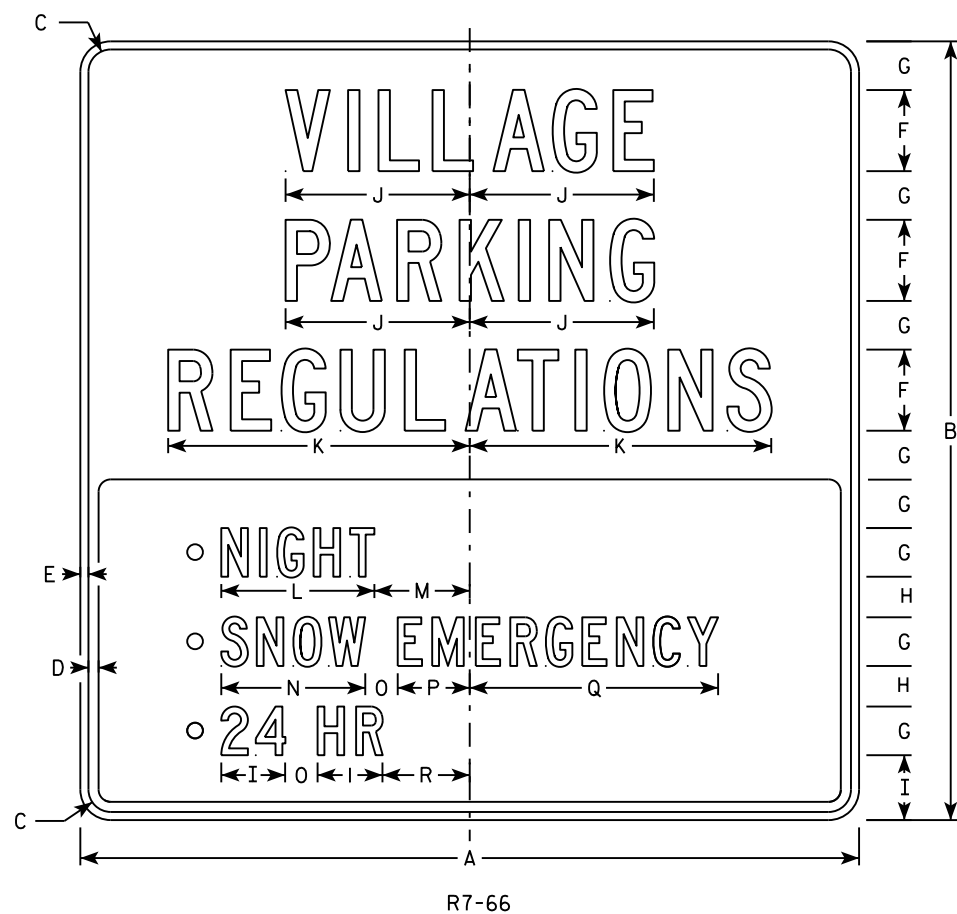
**STANDARD SIGN**  
R5-60

WISCONSIN DEPT OF TRANSPORTATION

APPROVED *Matthew R. Rauch*  
for State Traffic Engineer

DATE 3/15/18 PLATE NO. R5-60.4

PROJECT NO: \_\_\_\_\_ HWY: \_\_\_\_\_ COUNTY: \_\_\_\_\_ SHEET NO: \_\_\_\_\_ **E**



NOTES

1. Sign is Type II - Type H Reflective
2. Color:
  - Background - See Note 5
  - Message - See Note 5
3. Message Series - C
4. Top symbol and legend are White Type H Reflective with Red background. Bottom legend is Red with White Type H Reflective background.
5. Line 1 of Sign - Optically Center the Municipality designation.
6. A maximum of three supplemental messages shall be used.
7. Additional allowable supplemental messages:

2:00 AM - 7:00 AM  
 NOV 15 - MAR 15

◦ ALTERNATE SIDE

CITY

TOWNSHIP

SIZE	A	B	C	D	E	F	G	H	I	J	K	L	M	N	O	P	Q	R	S	T	U	V	W	X	Y	Z	Area sq. ft.
1																											
2S	48	48	1 3/8	5/8	1/2	5	3	2 1/2	4	11 3/8	18 5/8	9 1/2	5 7/8	8 7/8	2	4 1/2	15 3/8	5 3/8	12 1/4	1	6 1/4	2 3/4	6 1/2	13 3/4	7 1/8		16.0
2M	48	48	1 3/8	5/8	1/2	5	3	2 1/2	4	11 3/8	18 5/8	9 1/2	5 7/8	8 7/8	2	4 1/2	15 3/8	5 3/8	12 1/4	1	6 1/4	2 3/4	6 1/2	13 3/4	7 1/8		16.0
3																											
4																											
5																											

STANDARD SIGN  
R7-66

WISCONSIN DEPT OF TRANSPORTATION

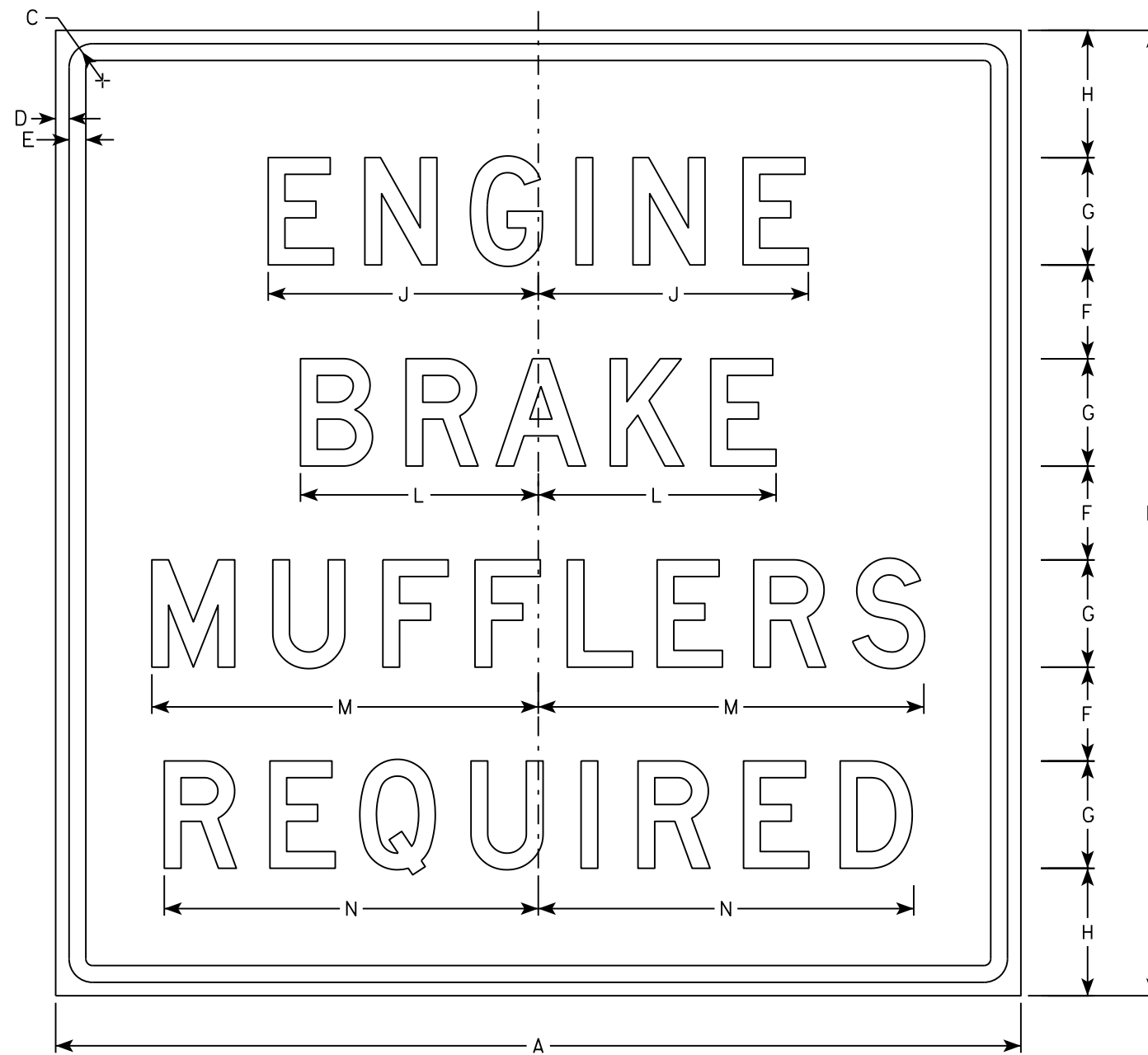
APPROVED *Matthew R. Rauch*  
For State Traffic Engineer

DATE 3/16/18 PLATE NO. R7-66.3

PROJECT NO: \_\_\_\_\_ HWY: \_\_\_\_\_ COUNTY: \_\_\_\_\_ SHEET NO: **E**

NOTES

1. Signs are Type II - Type H Reflective
2. Color:  
Background - White  
Message - Black
3. Message Series - D See note 5
4. Corners shall be rounded when base material is metal



R10-64

7

7

SIZE	A	B	C	D	E	F	G	H	I	J	K	L	M	N	O	P	Q	R	S	T	U	V	W	X	Y	Z	Area sq. ft.
1	36	36	1 3/8	1/2	5/8	3 1/2	4	4 3/4	2	10 1/8	3 1/2	8 7/8	14 3/8	14													9.0
2S	36	36	1 3/8	1/2	5/8	3 1/2	4	4 3/4	2	10 1/8	3 1/2	8 7/8	14 3/8	14													9.0
2M	36	36	1 3/8	1/2	5/8	3 1/2	4	4 3/4	2	10 1/8	3 1/2	8 7/8	14 3/8	14													9.0
3	42	42	1 3/8	1/2	5/8	4	5	5	3	12 5/8	4	11 1/8	18	17 3/8													12.25
4																											
5																											

STANDARD SIGN  
R10-64

WISCONSIN DEPT OF TRANSPORTATION

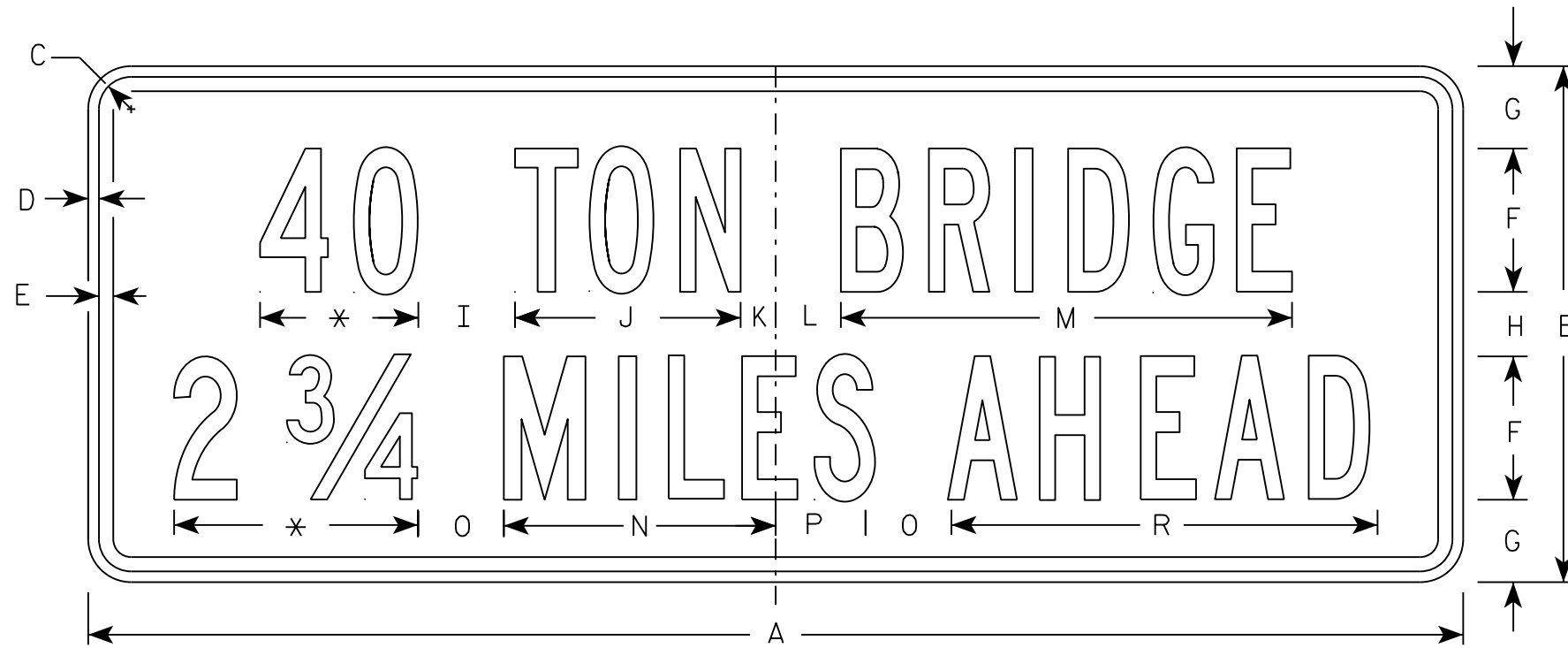
APPROVED *Matthew R Raub*  
For State Traffic Engineer

DATE 1/3/18 PLATE NO. R10-64.8

PROJECT NO: \_\_\_\_\_ HWY: \_\_\_\_\_ COUNTY: \_\_\_\_\_ SHEET NO: \_\_\_\_\_ **E**

NOTES

1. Sign is Type II - Type H Reflective
2. Color:  
Background - White  
Message - Black
3. Message Series - B for Size 2, Series D for Sizes 3 & 4
4. Corners and border shall be rounded.
5. Substitute appropriate numerals to nearest quarter mile and optically adjust spacing to achieve proper balance.



\* Varies

R12-55

7

7

SIZE	A	B	C	D	E	F	G	H	I	J	K	L	M	N	O	P	Q	R	S	T	U	V	W	X	Y	Z	Area sq. ft.
1																											
2S	48	18	1 1/8	3/8	1/2	5	2 7/8	2 1/4	3 3/8	7 7/8	1 1/4	2 1/4	15 3/4	9 1/2	3	3 1/8		14 7/8									6.0
2M	48	18	1 1/8	3/8	1/2	5	2 7/8	2 1/4	3 3/8	7 7/8	1 1/4	2 1/4	15 3/4	9 1/2	3	3 1/8		14 7/8									6.0
3	90	24	2 1/4	3/4	1	6	4	4	6	15 1/4	2 1/2	3 1/2	30 5/8	18 3/8	6	6 1/4		28 3/8									15.0
4	120	30	2 1/4	3/4	1	8	5 1/4	3 5/8	8	19 5/8	4	3	39 1/2	24 1/2	7	6 3/4		36 3/8									25.0
5	120	30	2 1/4	3/4	1	8	5 1/4	3 5/8	8	19 5/8	4	3	39 1/2	24 1/2	7	6 3/4		36 3/8									25.0

STANDARD SIGN  
R12-55

WISCONSIN DEPT OF TRANSPORTATION

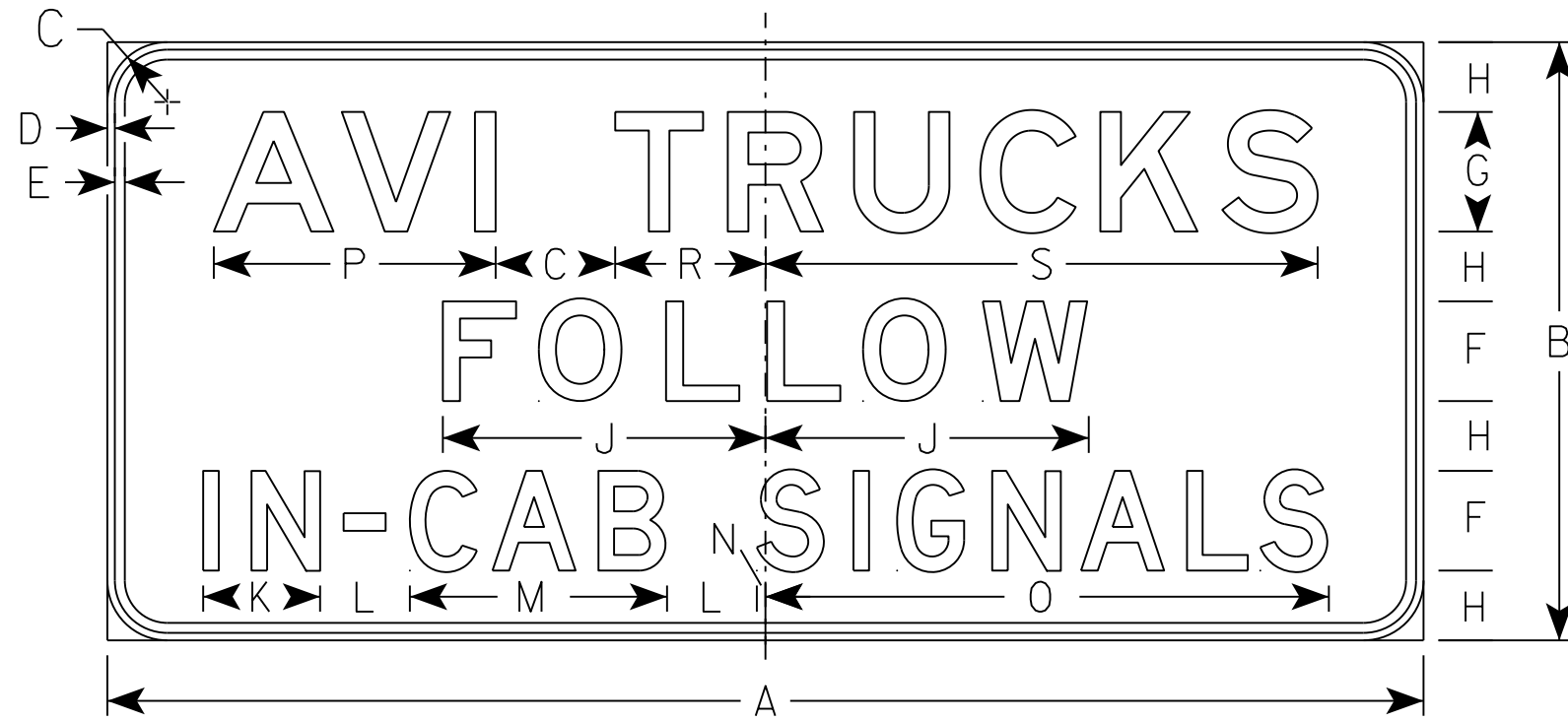
APPROVED *Matthew R. Rauch*  
For State Traffic Engineer

DATE 8/22/17 PLATE NO. R12-55.7

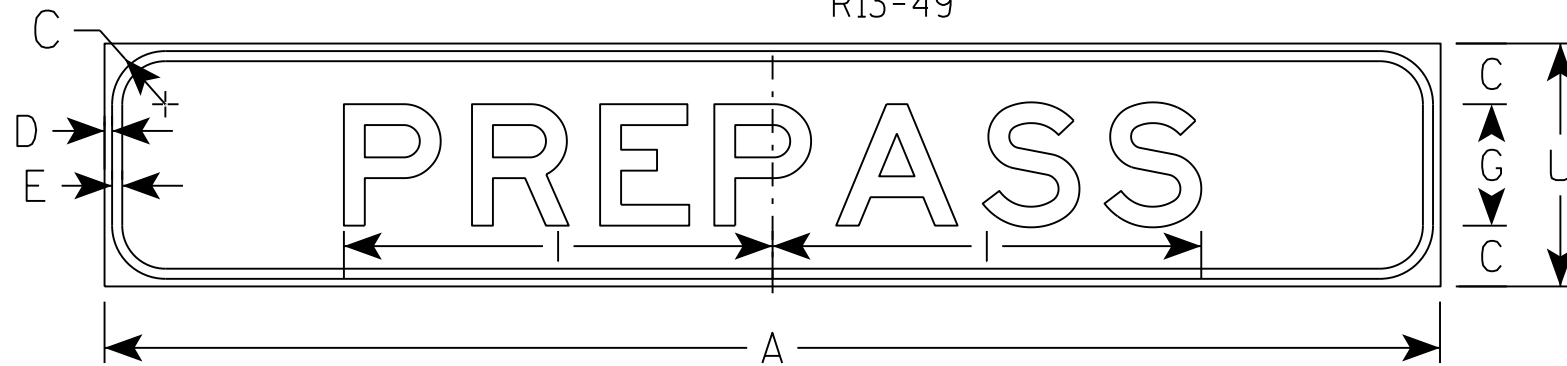
PROJECT NO: \_\_\_\_\_ HWY: \_\_\_\_\_ COUNTY: \_\_\_\_\_ SHEET NO: **E**

NOTES

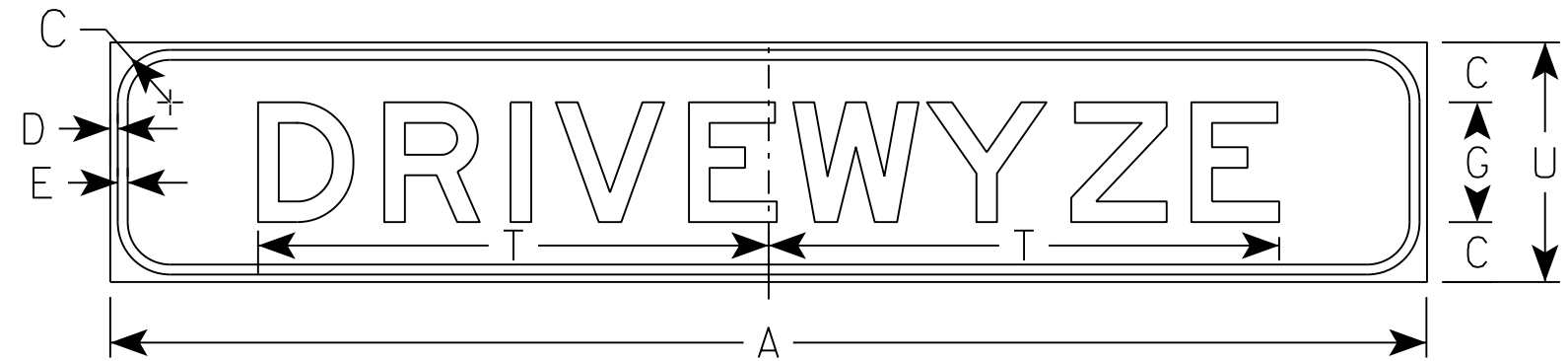
1. All Signs are Type I - Type SH Reflective
2. Color:  
Background - White  
Message - Black
3. Message Series - Series E - Line 1 & 2  
Series D - Line 3



R13-49



R13-49P



R13-49D

SIZE	A	B	C	D	E	F	G	H	I	J	K	L	M	N	O	P	Q	R	S	T	U	V	W	X	Y	Z	R13-49 Area sq. ft.	R13-49P,D Area sq. ft.
1																												
2S																												
2M																												
3																												
4	132	60	6	3/4	1	10	12	7	42 3/8	32 3/8	11 3/4	9	25 3/4	7/8	56 1/2	28 1/4		15 1/8	55 3/8	51 1/8	24						55.0	22.0
5																												

STANDARD SIGN  
R13-49

WISCONSIN DEPT OF TRANSPORTATION

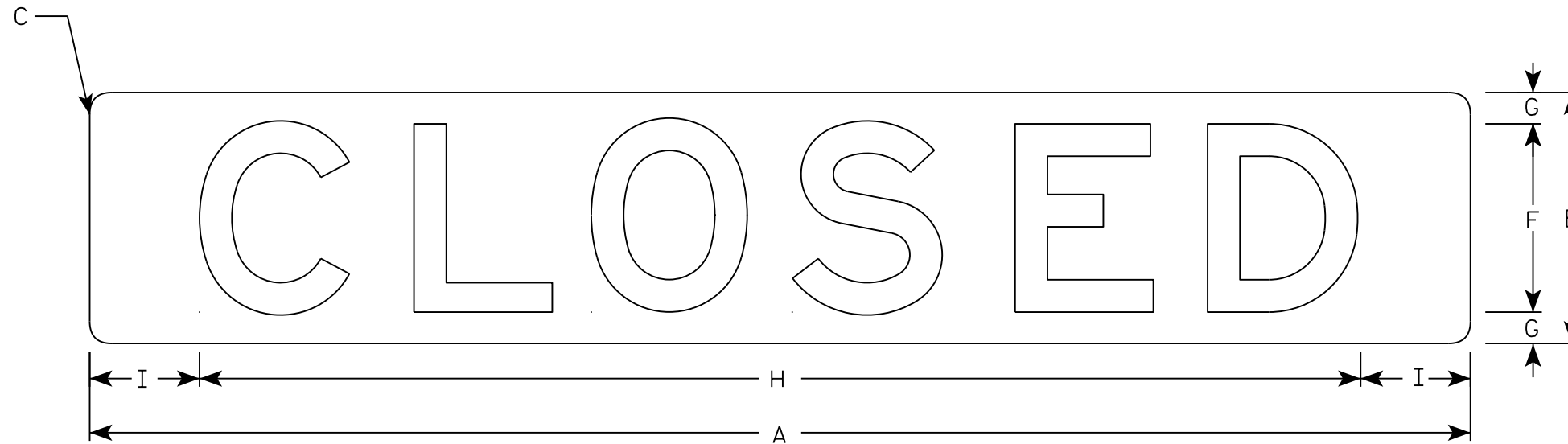
APPROVED *Matthew R. Rauch*  
for State Traffic Engineer

DATE 4/11/17 PLATE NO. R13-49.4

PROJECT NO: \_\_\_\_\_ HWY: \_\_\_\_\_ COUNTY: \_\_\_\_\_ SHEET NO: \_\_\_\_\_ E

NOTES

1. Sign is Type II - Type F Reflective - reference
2. Color:  
Background - Yellow  
Message - Black
3. Message Series - E
4. This plaque to be used with the D5-61 & D5-62 for wayside closures.



R55-58A

7

7

SIZE	A	B	C	D	E	F	G	H	I	J	K	L	M	N	O	P	Q	R	S	T	U	V	W	X	Y	Z	Area sq. ft.
1																											
2S	44	8	1			6	1	37	3 1/2																		2.4
2M	44	8	1			6	1	37	3 1/2																		2.4
3																											
4	76	12	2			10	1	58	9																		6.3
5	108	18	3			15	1 1/2	92 1/2	7 3/4																		13.5

STANDARD SIGN  
R55-58A

WISCONSIN DEPT OF TRANSPORTATION

APPROVED *Matthew R. Rauch*  
for State Traffic Engineer

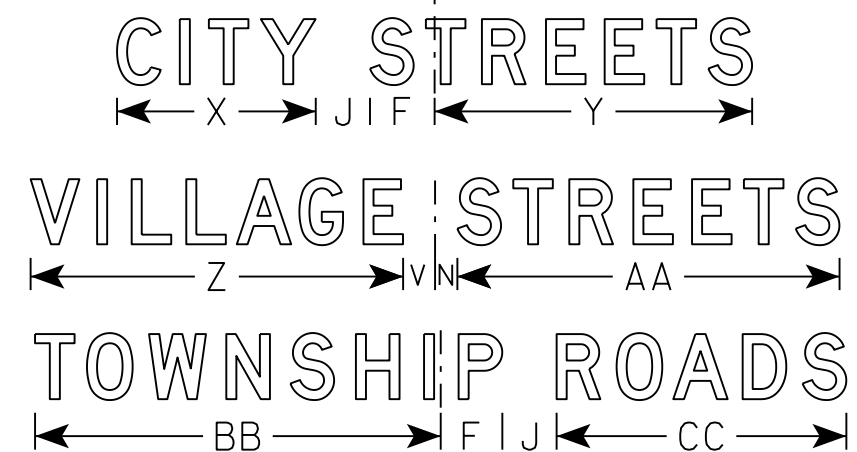
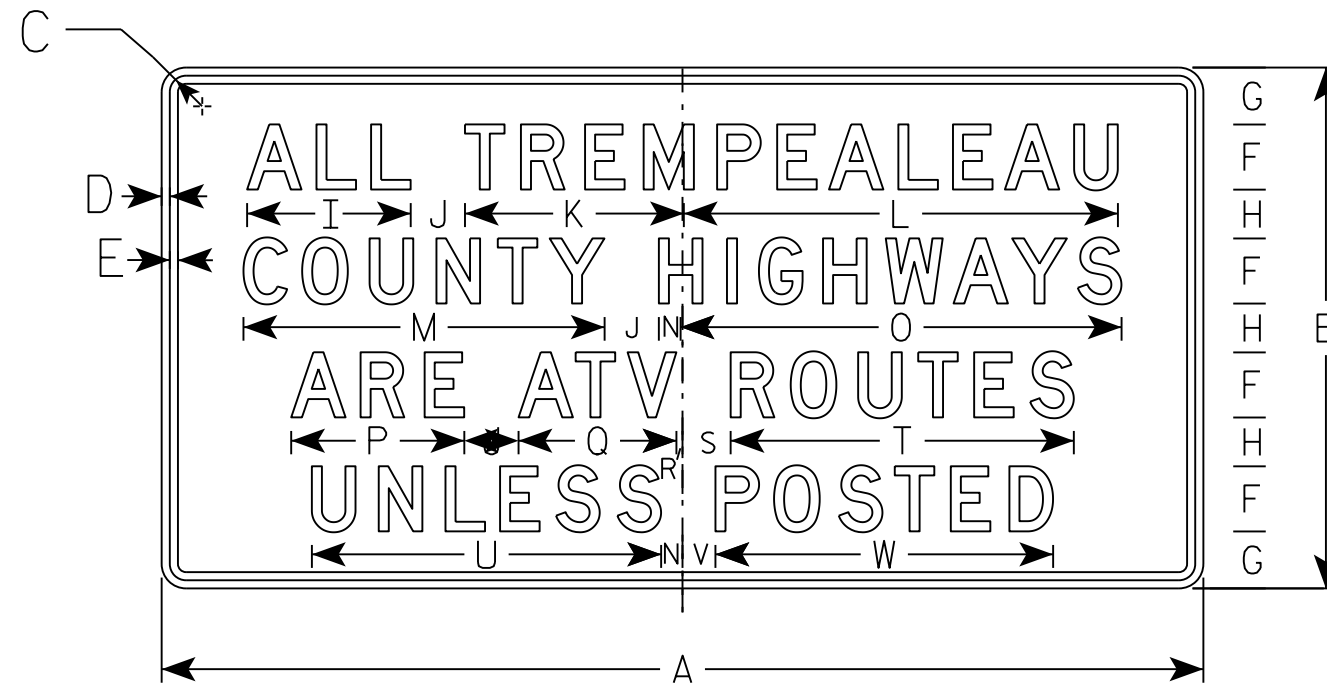
DATE 3/15/18 PLATE NO. R55-58A.7

PROJECT NO: \_\_\_\_\_ HWY: \_\_\_\_\_ COUNTY: \_\_\_\_\_ SHEET NO: **E**



NOTES

1. Sign is Type II - Type H Reflective
2. Color: Background - White  
Message - Black
3. Message Series - D
4. Substitute appropriate county or municipal name and second line message and optically center message



SIZE	A	B	C	D	E	F	G	H	I	J	K	L	M	N	O	P	Q	R	S	T	U	V	W	X	Y	Z	AA	BB	CC	Area sq. ft.
1																														
2S	48	24	1 1/8	3/8	3/8	3	2 5/8	2 1/4	7 1/2	2 1/2	10 1/8	20	16 5/8	1	20 3/8	8	7 1/4	1/4	2 1/4	15 7/8	16 1/8	1 1/2	15 1/2	9 1/8	14 5/8	17 1/8	17 5/8	18 3/4	13 3/8	8.0
2M	48	24	1 1/8	3/8	3/8	3	2 5/8	2 1/4	7 1/2	2 1/2	10 1/8	20	16 5/8	1	20 3/8	8	7 1/4	1/4	2 1/4	15 7/8	16 1/8	1 1/2	15 1/2	9 1/8	14 5/8	17 1/8	17 5/8	18 3/4	13 3/8	8.0
3																														
4																														
5																														

STANDARD SIGN  
R59-52

WISCONSIN DEPT OF TRANSPORTATION

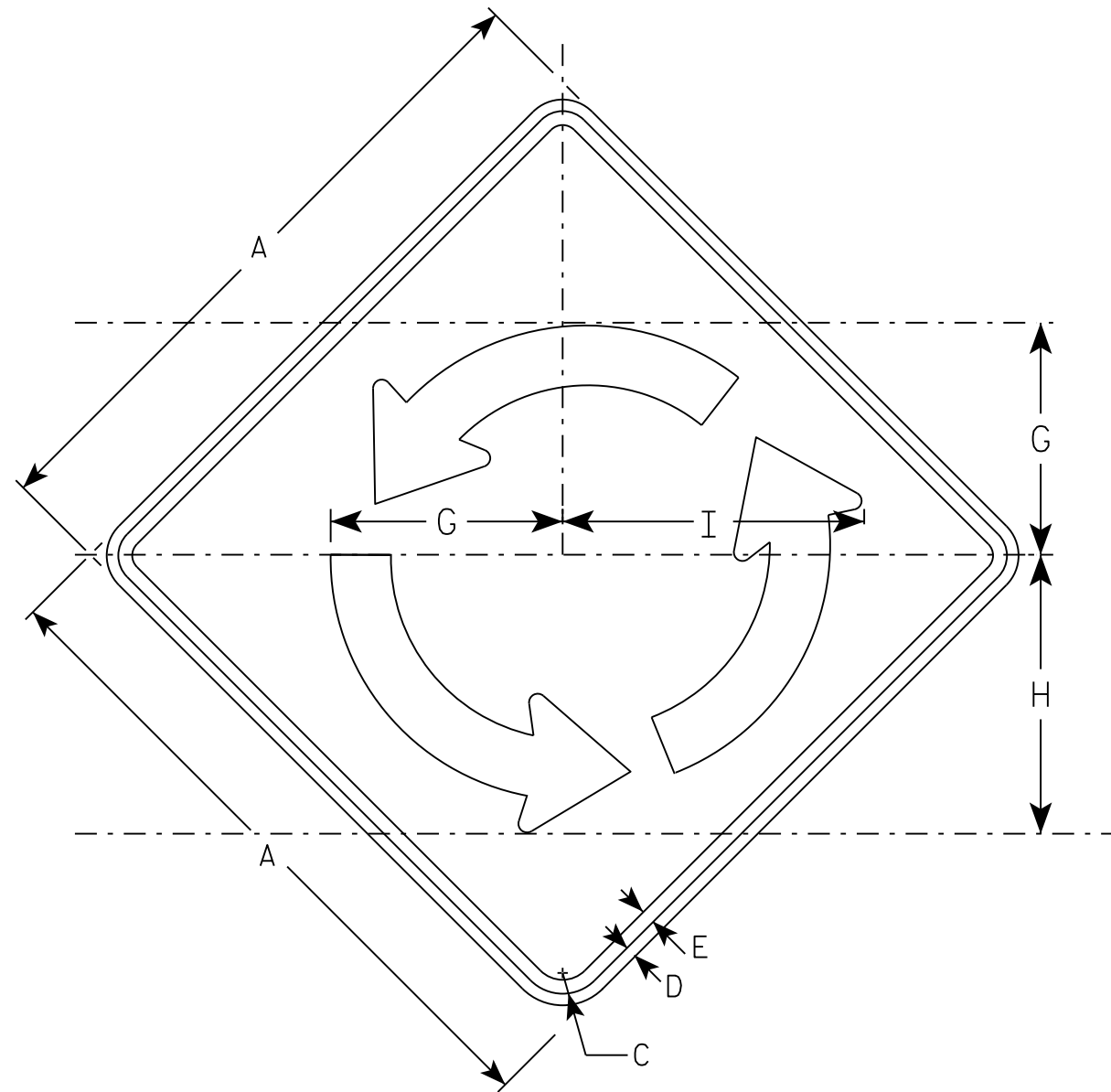
APPROVED *Matthew R. Rauch*  
for State Traffic Engineer

DATE 3/20/18 PLATE NO. R59-52.1

PROJECT NO: \_\_\_\_\_ HWY: \_\_\_\_\_ COUNTY: \_\_\_\_\_ SHEET NO: **E**

NOTES

1. Sign is Type II - Type F Reflective
2. Color:  
     Background - YELLOW  
     Message - BLACK



W2-6

7

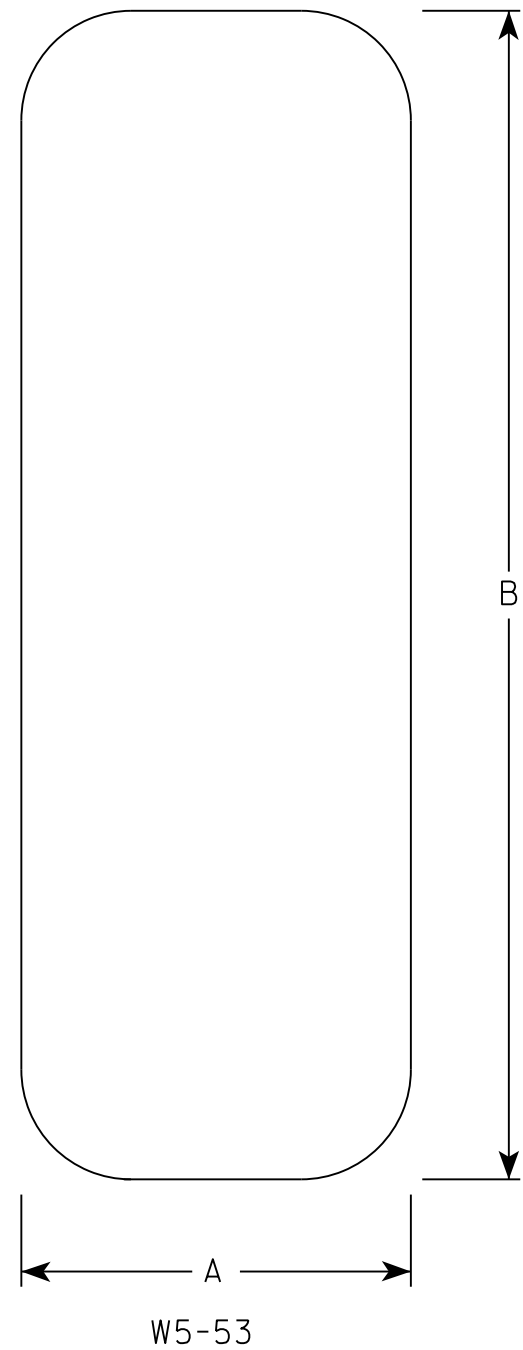
7

SIZE	A	B	C	D	E	F	G	H	I	J	K	L	M	N	O	P	Q	R	S	T	U	V	W	X	Area sq. ft.
1																									
2S	30		1 3/8	1/2	5/8		10 3/8	12 1/2	13 1/2																6.25
2M	30		1 3/8	1/2	5/8		10 3/8	12 1/2	13 1/2																6.25
3	36		1 5/8	5/8	3/4		12 1/2	15	16 1/4																9.00
4	48		2 1/4	3/4	1		16 5/8	20	16 1/4																16.0
5																									

STANDARD SIGN W2-6	
WISCONSIN DEPT OF TRANSPORTATION	
APPROVED	<i>Matthew R Rauch</i> for State Traffic Engineer
DATE 3/15/18	PLATE NO. W2-6.6

NOTES

1. Sign is Type II -Type F Reflective
2. Color:  
Background - Yellow
3. Corners may be square or rounded when base material is plywood. When base material is metal the corners shall be rounded.



7

7

SIZE	A	B	C	D	E	F	G	H	I	J	K	L	M	N	O	P	Q	R	S	T	U	V	W	X	Y	Z	Area sq. ft.
1																											
2S	6	12	1 1/8																								.5
2M	6	12	1 1/8																								.5
3																											
4																											
5																											

**STANDARD SIGN**  
W5-53

WISCONSIN DEPT OF TRANSPORTATION

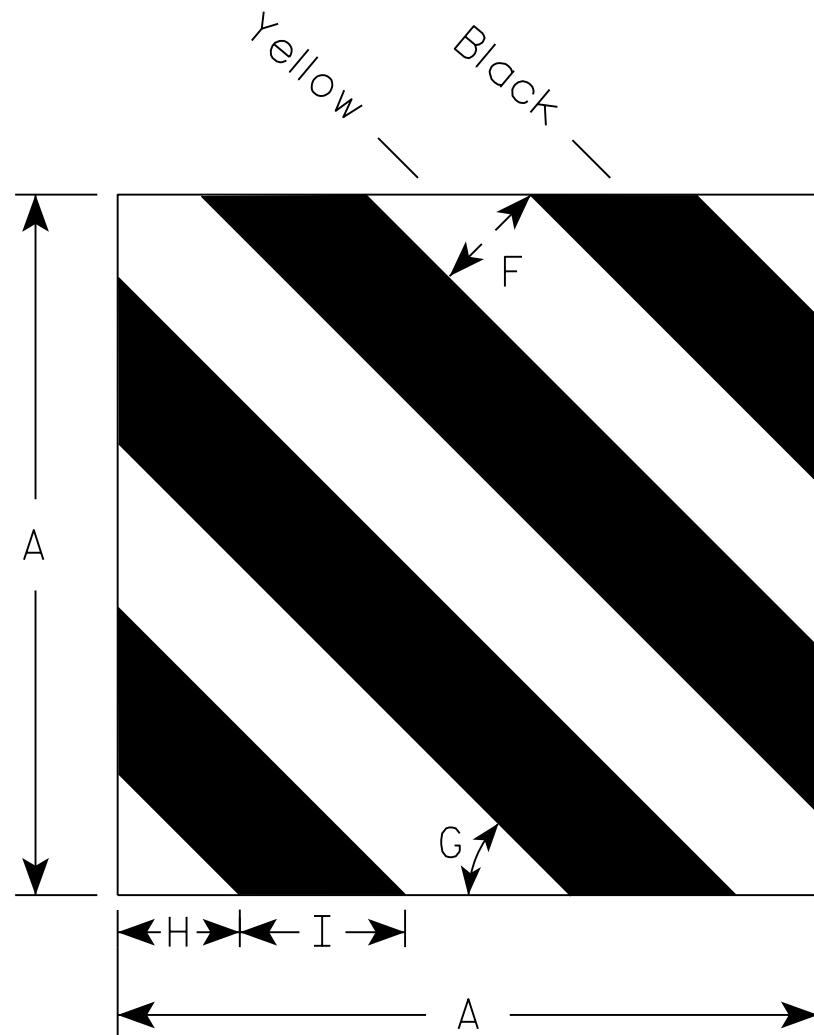
APPROVED *Matthew R. Rauch*  
For State Traffic Engineer

DATE 4/11/17 PLATE NO. W5.53.8

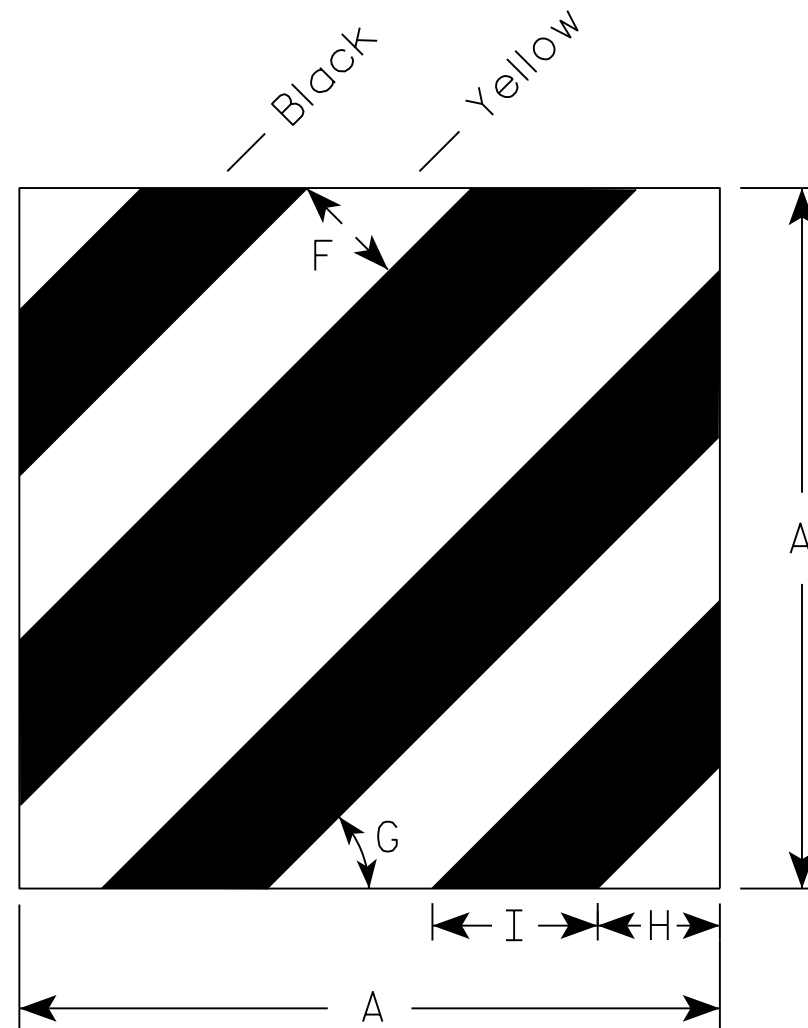
PROJECT NO: \_\_\_\_\_ HWY: \_\_\_\_\_ COUNTY: \_\_\_\_\_ SHEET NO: \_\_\_\_\_ **E**

NOTES

1. Sign is Type II - Type F Reflective
2. Color:  
Background - Yellow  
Message - Black
3. Base material is to be .040 sheet aluminum.



W5-59L



W5-59R

7

7

SIZE	A	B	C	D	E	F	G	H	I	J	K	L	M	N	O	P	Q	R	S	T	U	V	W	X	Y	Z	Area sq. ft.
1	12					2	45°	2 7/8	2 1/8																		1.00
2S	18					3	45°	3 1/8	4 1/4																		2.25
2M	18					3	45°	3 1/8	4 1/4																		2.25
3																											
4																											
5																											

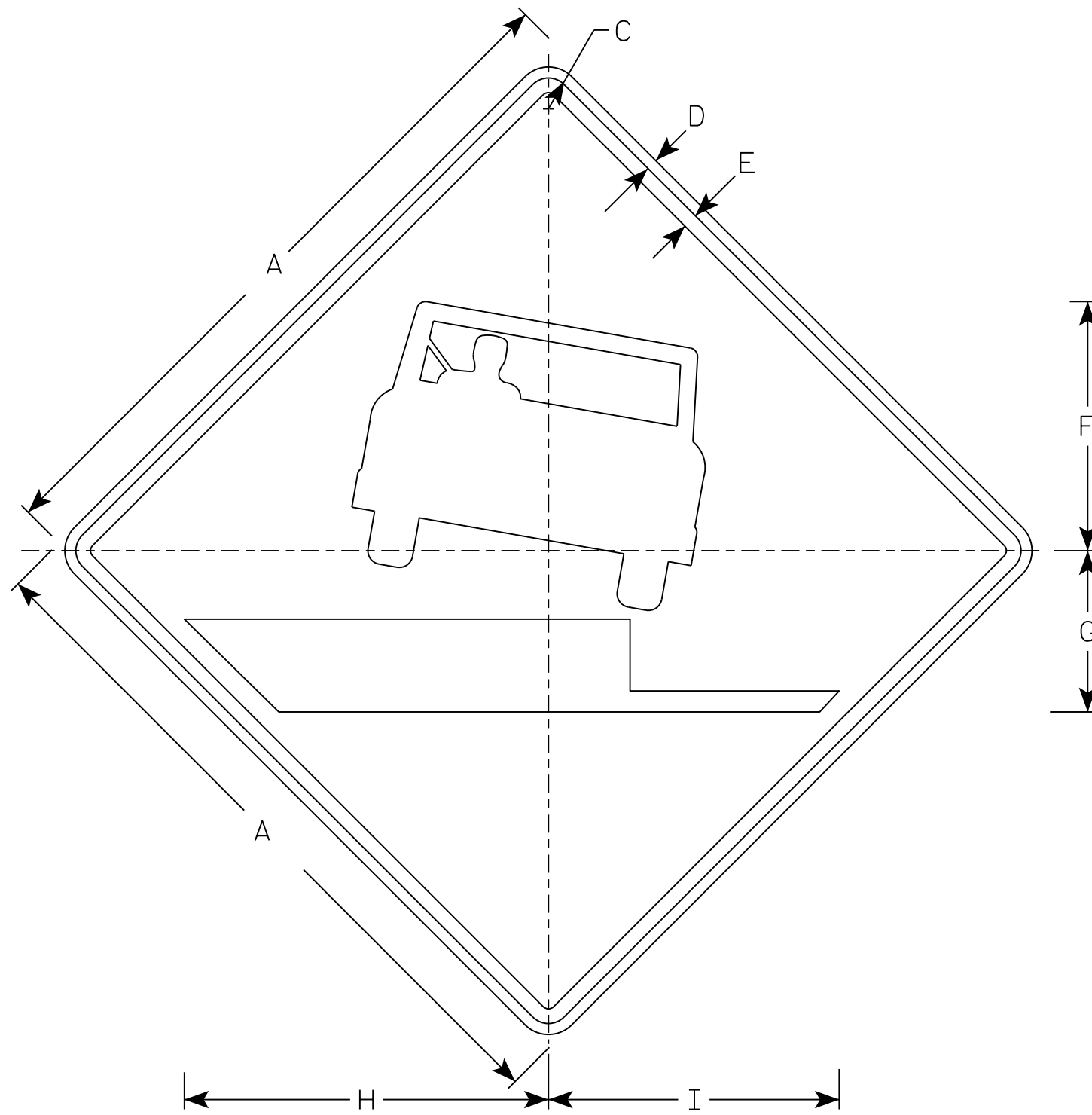
STANDARD SIGN  
W5-59L & W5-59R

WISCONSIN DEPT OF TRANSPORTATION

APPROVED *Matthew R. Rauch*  
for State Traffic Engineer

DATE 3/15/18 PLATE NO. W5-59.6

PROJECT NO: \_\_\_\_\_ HWY: \_\_\_\_\_ COUNTY: \_\_\_\_\_ SHEET NO: **E**



W8-17

NOTES

1. Sign is Type II - Type F Reflective
2. Color:  
Background - Orange  
Message - Black
3. Corners may be square or rounded when base material is plywood but borders shall be rounded as shown. When base material is metal, the corners and borders shall be rounded.

7

7

SIZE	A	B	C	D	E	F	G	H	I	J	K	L	M	N	O	P	Q	R	S	T	U	V	W	X	Y	Z	Area sq. ft.
1																											
2S	48		2 1/4	3/4	1	17	11	24 7/8	19 7/8																		16.0
2M	48		2 1/4	3/4	1	17	11	24 7/8	19 7/8																		16.0
3	48		2 1/4	3/4	1	17	11	24 7/8	19 7/8																		16.0
4	48		2 1/4	3/4	1	17	11	24 7/8	19 7/8																		16.0
5	48		2 1/4	3/4	1	17	11	24 7/8	19 7/8																		16.0

STANDARD SIGN  
W8-17

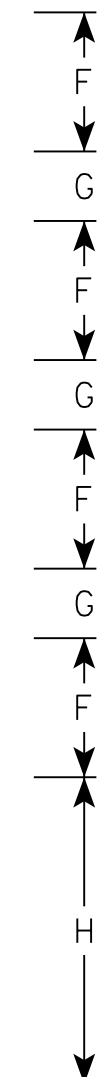
WISCONSIN DEPT OF TRANSPORTATION

APPROVED *Matthew R. Rauch*  
for State Traffic Engineer

DATE 10/10/17 PLATE NO. W8-17.1

NOTES

1. Sign is Type II - Type F Reflective
2. Color:  
Background - Yellow  
Message - Black
3. Message Series - C



7

7

W8-66

SIZE	A	B	C	D	E	F	G	H	I	J	K	L	M	N	O	P	Q	R	S	T	U	V	W	X	Y	Z	Area sq. ft.
1																											
2S	36		1 5/8	5/8	3/4	5	2 1/2	11	8 1/2	10	4	1 5/8	15 5/8	6 7/8	7												9.0
2M	36		1 5/8	5/8	3/4	5	2 1/2	11	8 1/2	10	4	1 5/8	15 5/8	6 7/8	7												9.0
3																											
4	48		2 1/4	3/4	1	7	3	14 1/2	12	14	6	2	22	9 5/8	9 3/4												16.0
5																											

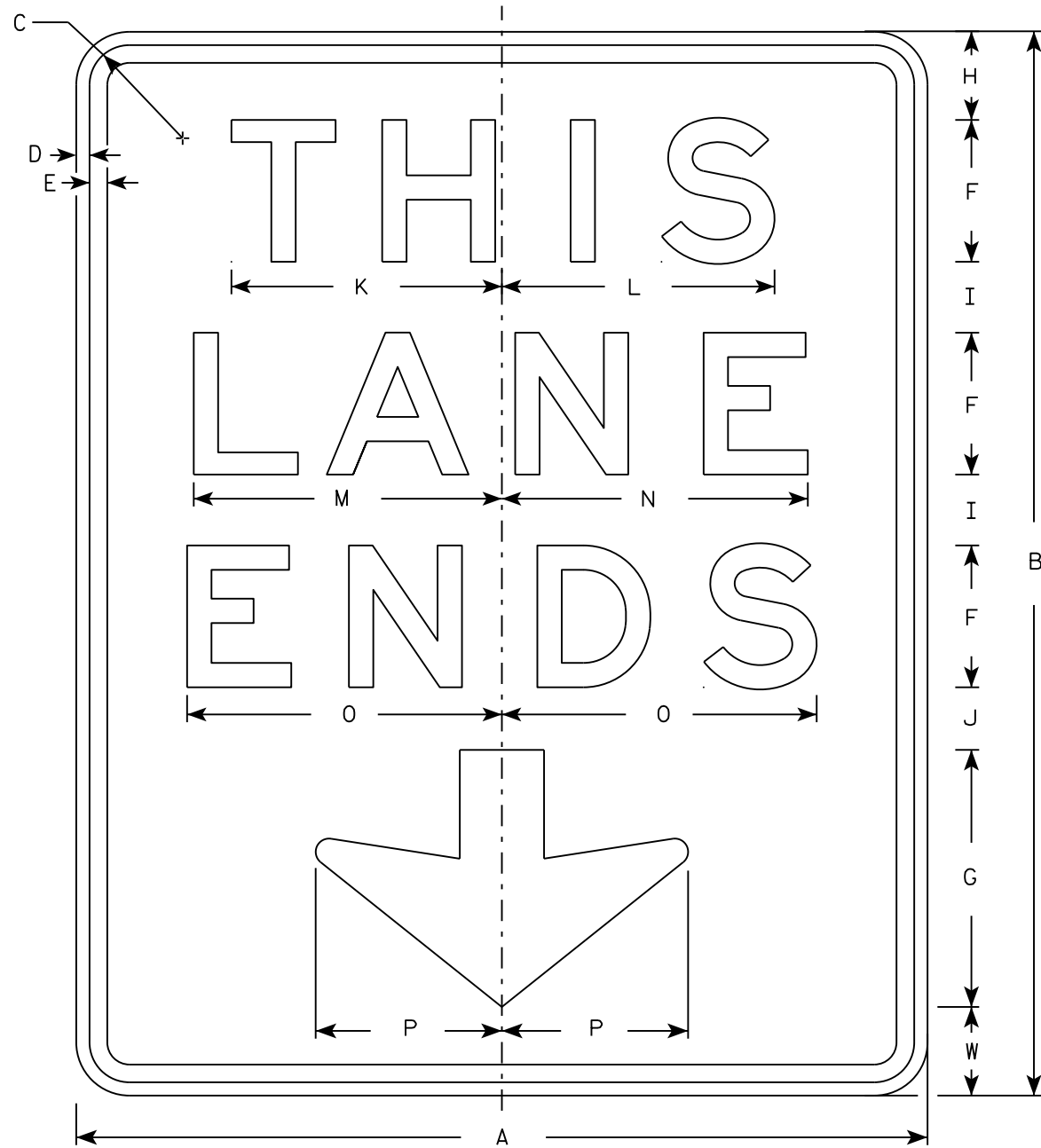
STANDARD SIGN  
W8-66

WISCONSIN DEPT OF TRANSPORTATION

APPROVED *Matthew R. Rauch*  
for State Traffic Engineer

DATE 3/15/18 PLATE NO. W8-66.8

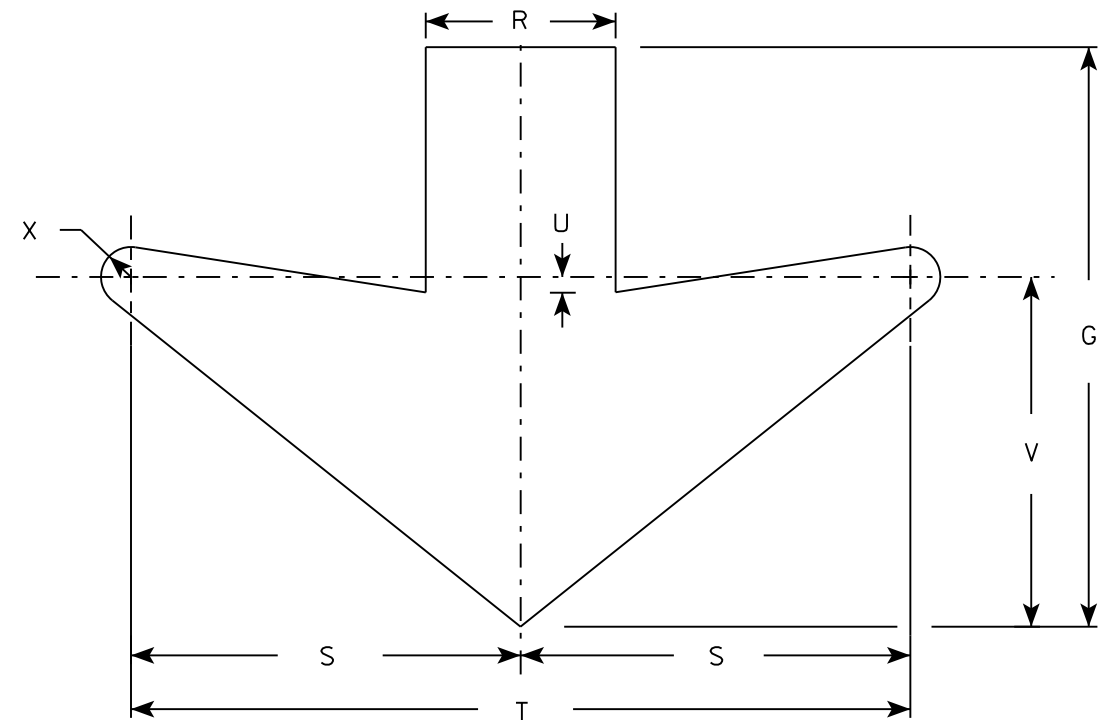
PROJECT NO: \_\_\_\_\_ HWY: \_\_\_\_\_ COUNTY: \_\_\_\_\_ SHEET NO: **E**



W9-62

NOTES

1. Sign is Type II - Type F Reflective except see Note 5
2. Color:  
Background - Yellow  
Message - Black
3. Message Series - E
4. Size 4 and 5 shall be Type I - Type F Reflective



ARROW DETAIL

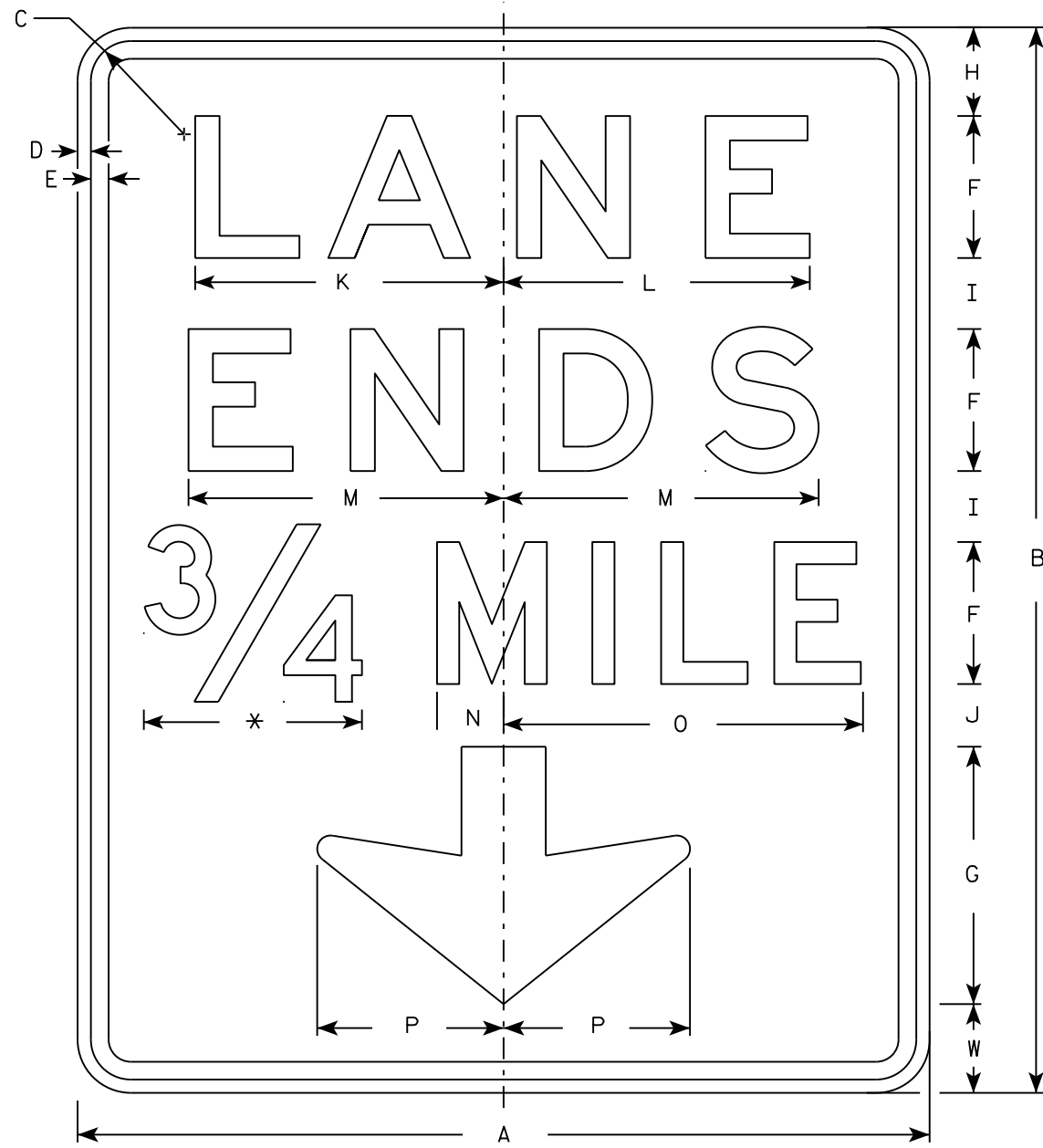
SIZE	A	B	C	D	E	F	G	H	I	J	K	L	M	N	O	P	Q	R	S	T	U	V	W	X	Y	Z	Area sq. ft.
1	48	60	2 1/4	3/4	1	8	14 1/2	5	4	3 1/2	15 1/4	15 3/8	17 3/8	17 1/4	17 3/4	10 1/2		4 3/4	9 3/4	19 1/2	3/4	8 3/4	5	3/4			20.0
2S	48	60	2 1/4	3/4	1	8	14 1/2	5	4	3 1/2	15 1/4	15 3/8	17 3/8	17 1/4	17 3/4	10 1/2		4 3/4	9 3/4	19 1/2	3/4	8 3/4	5	3/4			20.0
2M	48	60	2 1/4	3/4	1	8	14 1/2	5	4	3 1/2	15 1/4	15 3/8	17 3/8	17 1/4	17 3/4	10 1/2		4 3/4	9 3/4	19 1/2	3/4	8 3/4	5	3/4			20.0
3																											
4	72	90	6	1	1 1/2	12	22	8	6	5	23	23	26 1/8	26 1/8	26 5/8	16		6 1/2	15	30	2	15	7	1			45.0
5	72	90	6	1	1 1/2	12	22	8	6	5	23	23	26 1/8	26 1/8	26 5/8	16		6 1/2	15	30	2	15	7	1			45.0

STANDARD SIGN  
W9-62

WISCONSIN DEPT OF TRANSPORTATION

APPROVED *Matthew R. Raub*  
For State Traffic Engineer

DATE 8/21/17 PLATE NO. W9-62.11

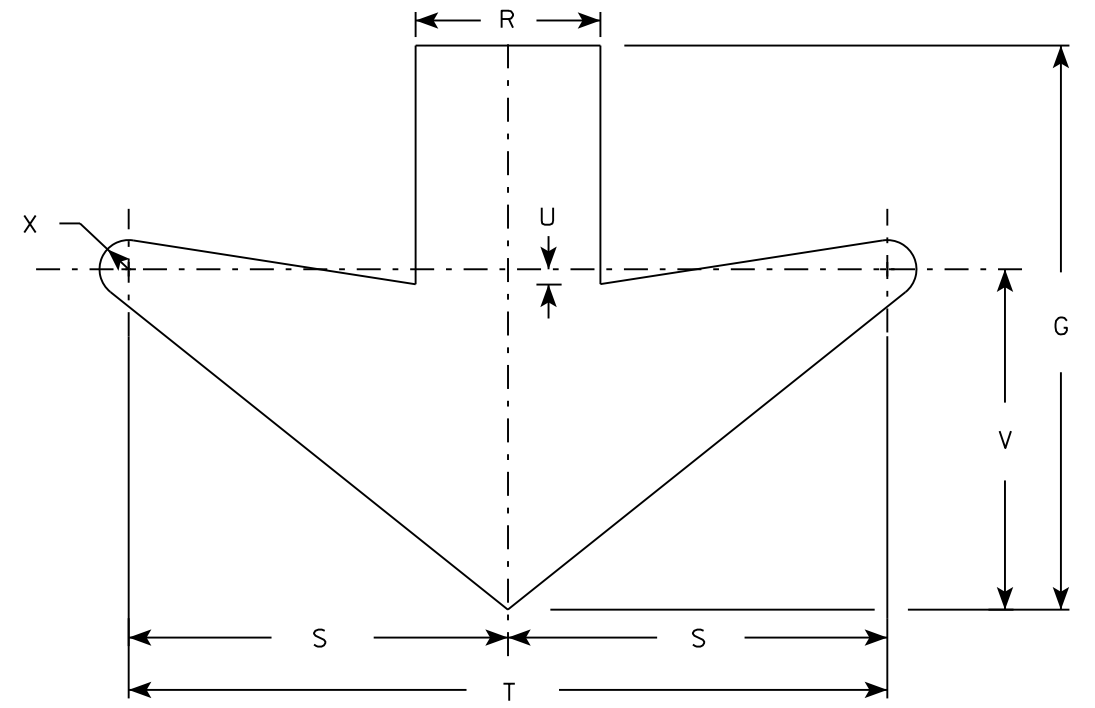


W9-63

\* See Note 6

NOTES

1. Sign is Type II - Type F Reflective except see Note 5
2. Color:  
Background -Yellow  
Message - Black non-reflective
3. Message Series - Line 1 and 2 are Series E  
Line 3 is Series D
4. Substitute appropriate numerals and optically adjust spacing to give proper balance.
5. Size 4 and 5 shall be Type I - Type F Reflective



ARROW DETAIL

SIZE	A	B	C	D	E	F	G	H	I	J	K	L	M	N	O	P	Q	R	S	T	U	V	W	X	Y	Z	Area sq. ft.
1	48	60	2 1/4	3/4	1	8	14 1/2	5	4	3 1/2	17 3/8	17 1/4	17 3/4	3 3/4	20 1/4	10 1/2		4 3/4	9 3/4	19 1/2	3/4	8 3/4	5	3/4			20.0
2S	48	60	2 1/4	3/4	1	8	14 1/2	5	4	3 1/2	17 3/8	17 1/4	17 3/4	3 3/4	20 1/4	10 1/2		4 3/4	9 3/4	19 1/2	3/4	8 3/4	5	3/4			20.0
2M	48	60	2 1/4	3/4	1	8	14 1/2	5	4	3 1/2	17 3/8	17 1/4	17 3/4	3 3/4	20 1/4	10 1/2		4 3/4	9 3/4	19 1/2	3/4	8 3/4	5	3/4			20.0
3																											
4	72	90	6	1	1 1/2	12	22	8	6	5	26 1/8	26 1/8	26 5/8	5 5/8	30 3/8	16		6 1/2	15	30	2	15	7	1			45.0
5	72	90	6	1	1 1/2	12	22	8	6	5	26 1/8	26 1/8	26 5/8	5 5/8	30 3/8	16		6 1/2	15	30	2	15	7	1			45.0

STANDARD SIGN  
W9-63

WISCONSIN DEPT OF TRANSPORTATION

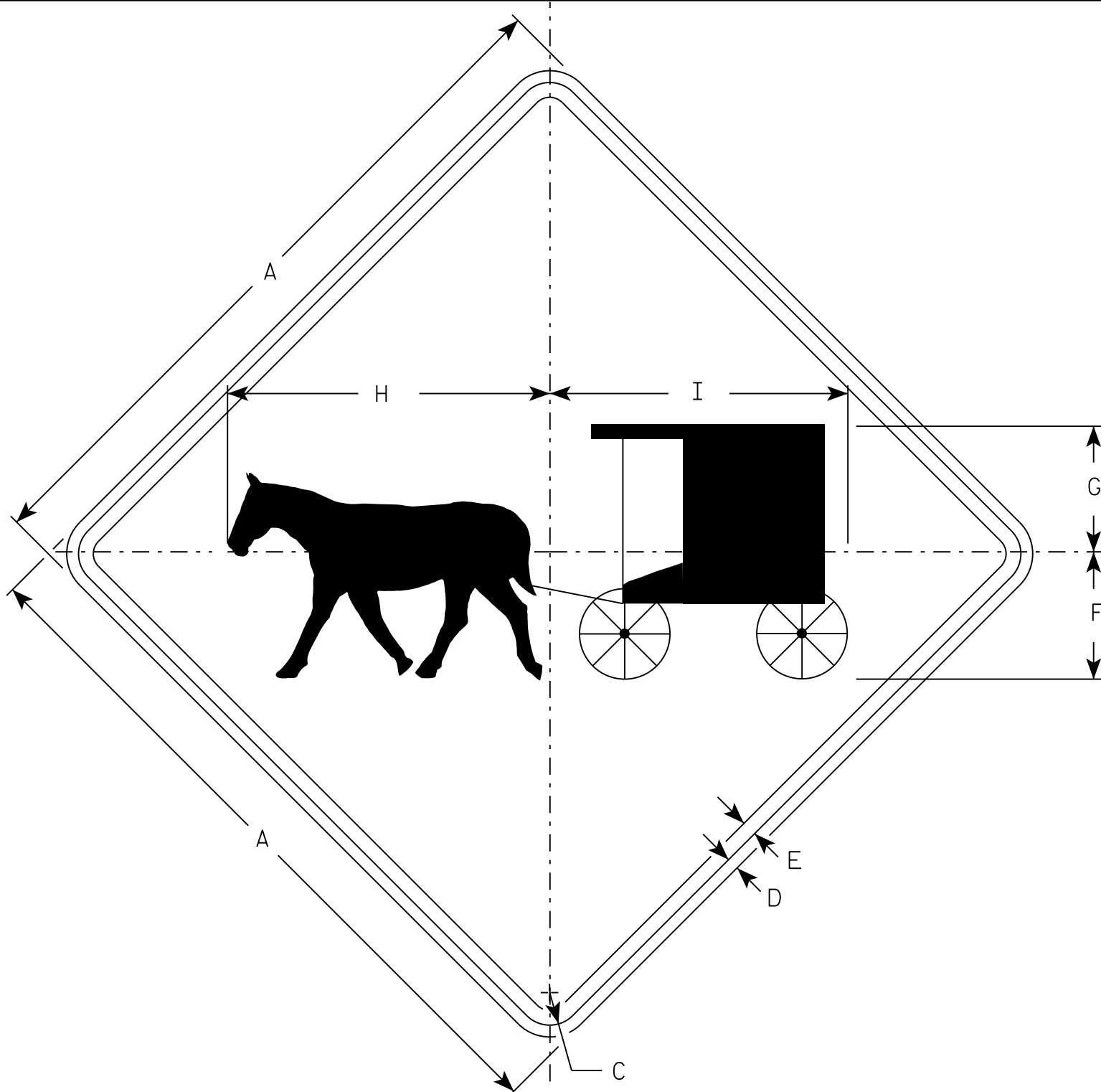
APPROVED *Matthew R. Rauch*  
for State Traffic Engineer

DATE 8/21/17 PLATE NO. W9-63.5



NOTES

1. Sign is Type II - Type F Reflective
2. Color:  
     Background - Yellow  
     Message - Black



W11-14

SIZE	A	B	C	D	E	F	G	H	I	J	K	L	M	N	O	P	Q	R	S	T	U	V	W	X	Y	Z	Area sq. ft.
1	30		1 3/8	1/2	5/8	5 3/8	5 1/4	13 5/8	12 5/8																		6.25
2S	36		1 5/8	5/8	3/4	6 1/2	6 3/8	16 3/8	15 1/8																		9.0
2M	36		1 5/8	5/8	3/4	6 1/2	6 3/8	16 3/8	15 1/8																		9.0
3	48		2 1/4	3/4	1	8 5/8	8 1/2	21 7/8	20 1/8																		16.0
4																											
5																											

<b>STANDARD SIGN</b>	
W11-14	
WISCONSIN DEPT OF TRANSPORTATION	
APPROVED	Matthew R. Rauch
For State Traffic Engineer	
DATE 3/15/18	PLATE NO. W11-14.1

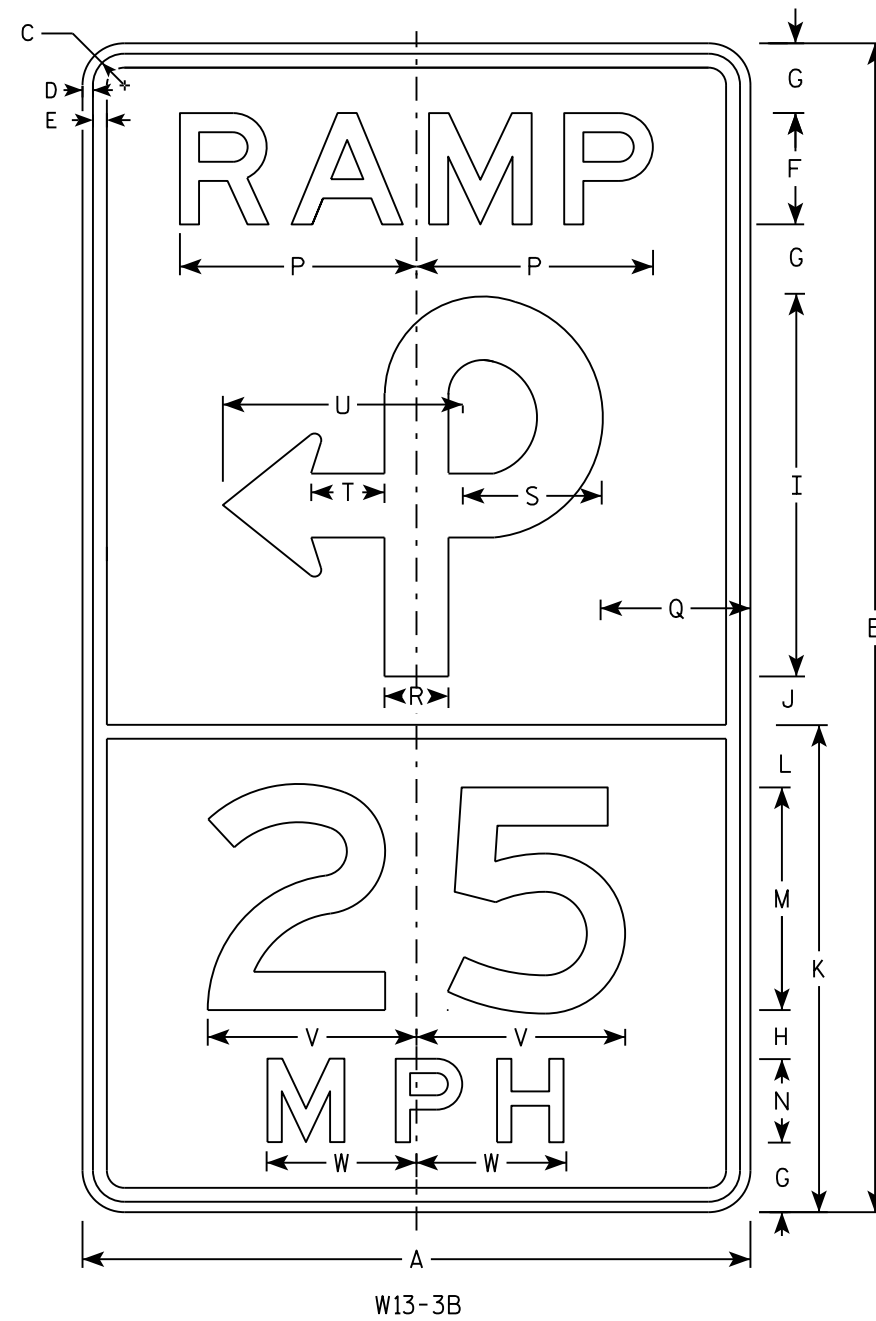
PROJECT NO:	HWY:	COUNTY:	SHEET NO: <b>E</b>
-------------	------	---------	--------------------

7

7

NOTES

1. Sign is Type II - Type F Reflective
2. Color:  
Background - Yellow  
Message - Black
3. Message Series - E



W13-3B

SIZE	A	B	C	D	E	F	G	H	I	J	K	L	M	N	O	P	Q	R	S	T	U	V	W	X	Y	Z	Area sq. ft.
1																											
2S	36	60	1 5/8	3/4	5/8	6	3 1/2	3	19 3/4	2 1/4	25	3 1/2	10	5		12 3/4	8	3 1/2	7 1/2	4	13	10	8 1/2				15.0
2M	36	60	1 5/8	3/4	5/8	6	3 1/2	3	19 3/4	2 1/4	25	3 1/2	10	5		12 3/4	8	3 1/2	7 1/2	4	13	10	8 1/2				15.0
3																											
4	48	84	2 1/4	3/4	1	8	5	3 1/2	27 1/2	3 1/2	35	4 1/2	16	6		17	10 3/4	4 5/8	10	5 1/4	17 1/4	15	10 3/4				28.0
5	48	84	2 1/4	3/4	1	8	5	3 1/2	27 1/2	3 1/2	35	4 1/2	16	6		17	10 3/4	4 5/8	10	5 1/4	17 1/4	15	10 3/4				28.0

STANDARD SIGN  
W13-3B

WISCONSIN DEPT OF TRANSPORTATION

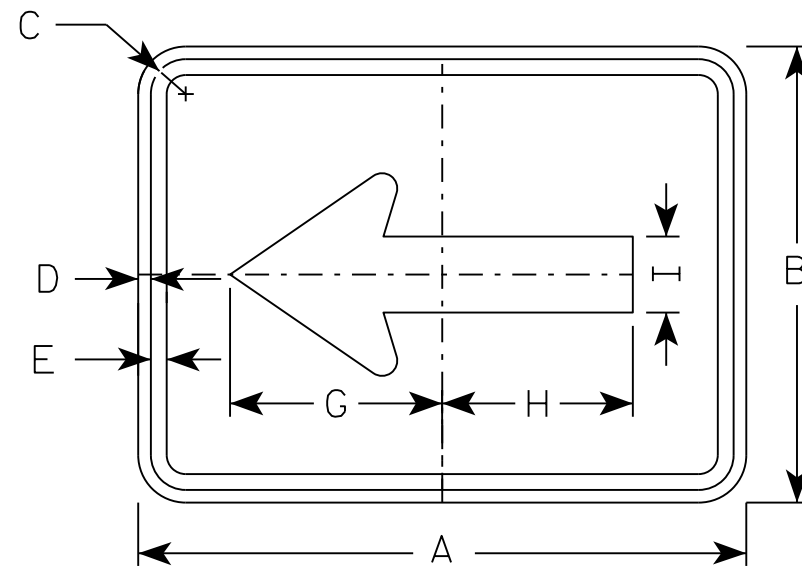
APPROVED *Matthew R. Rauch*  
for State Traffic Engineer

DATE 3/15/18 PLATE NO. W13-3B.2

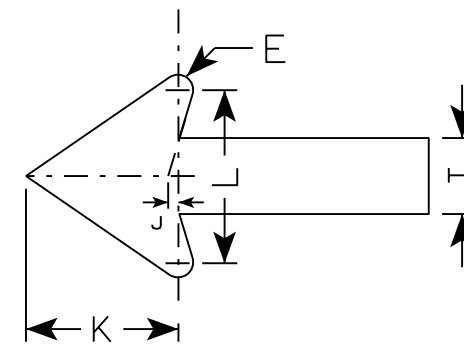
PROJECT NO: \_\_\_\_\_ HWY: \_\_\_\_\_ COUNTY: \_\_\_\_\_ SHEET NO: **E**

NOTES

1. Sign is Type II - Type F Reflective
2. Color:  
Background - YELLOW  
Message - BLACK
3. W16-5PR is the same as W16-5PL except the arrow is reversed along the vertical centerline.



W16-5PL



SIZE	A	B	C	D	E	F	G	H	I	J	K	L	M	N	O	P	Q	R	S	T	U	V	W	X	Y	Z	Area sq. ft.
1																											
2S	24	18	1 3/8	1/2	5/8		8 3/8	7 1/2	3	3/8	6	6 7/8															3.0
2M	24	18	1 3/8	1/2	5/8		8 3/8	7 1/2	3	3/8	6	6 7/8															3.0
3																											
4																											
5																											

STANDARD SIGN

W16-5P

WISCONSIN DEPT OF TRANSPORTATION

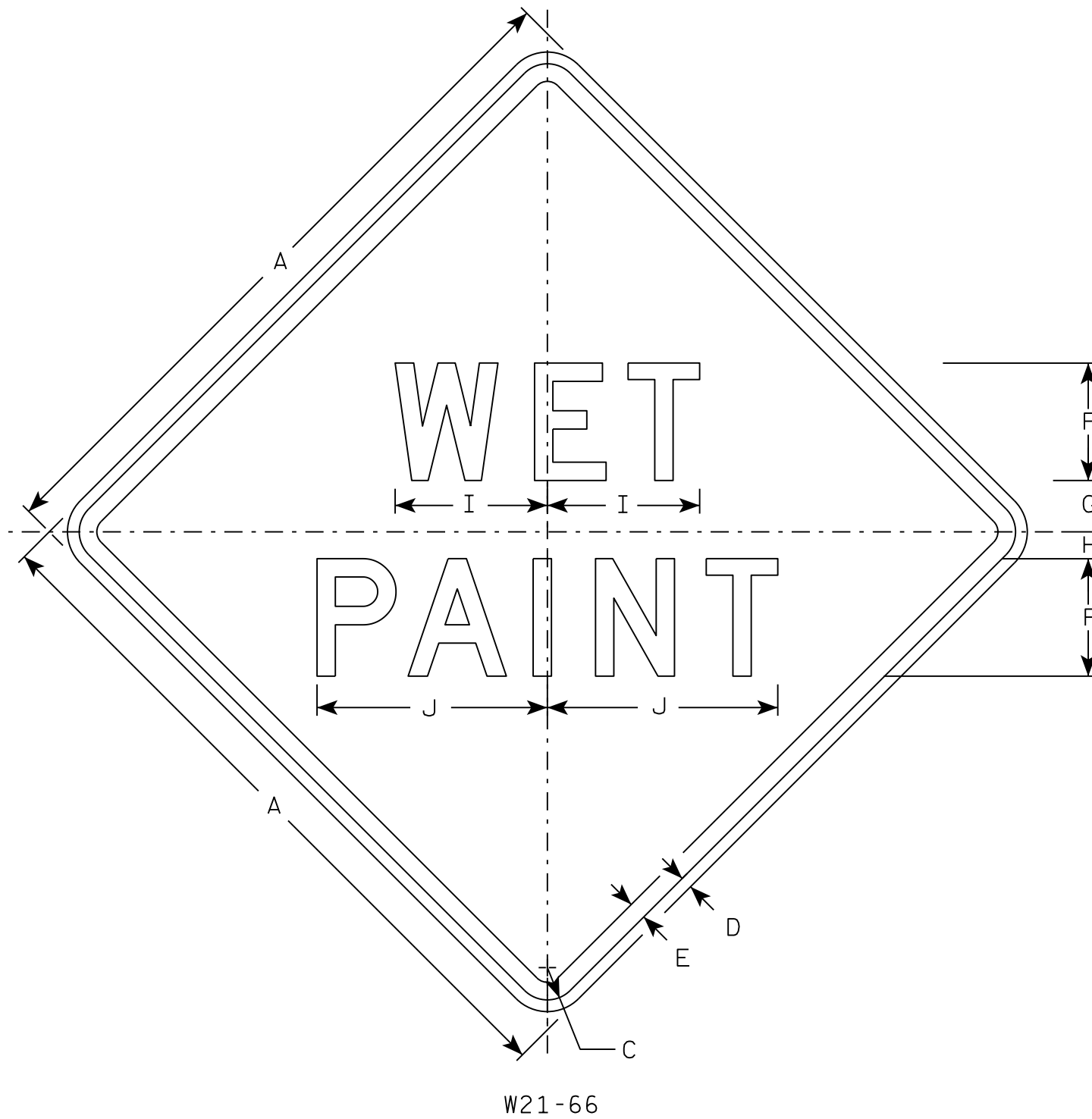
APPROVED *Matthew R. Rauch*  
For State Traffic Engineer

DATE 3/15/18 PLATE NO. W16-5P.2

PROJECT NO: \_\_\_\_\_ HWY: \_\_\_\_\_ COUNTY: \_\_\_\_\_ SHEET NO: **E**

7

7



NOTES

1. Sign is Type II - Type F Reflective
2. Color:  
Background - Orange  
Message - Black
3. Message Series - D
4. Corners may be square or rounded when base material is plywood but borders shall be rounded as shown. When base material is metal, the corners and borders shall be rounded.

7

7

W21-66

SIZE	A	B	C	D	E	F	G	H	I	J	K	L	M	N	O	P	Q	R	S	T	U	V	W	X	Y	Z	Area sq. ft.
1	36		1 5/8	5/8	3/4	6	2 5/8	1 3/8	7 3/4	11 3/4																	9.0
2S	48		2 1/4	3/4	1	8	3	3	10 3/8	15 3/4																	16.0
2M	48		2 1/4	3/4	1	8	3	3	10 3/8	15 3/4																	16.0
3	48		2 1/4	3/4	1	8	3	3	10 3/8	15 3/4																	16.0
4	48		2 1/4	3/4	1	8	3	3	10 3/8	15 3/4																	16.0
5	48		2 1/4	3/4	1	8	3	3	10 3/8	15 3/4																	16.0

STANDARD SIGN  
W21-66

WISCONSIN DEPT OF TRANSPORTATION

APPROVED *Matthew R. Rauch*  
For State Traffic Engineer

DATE 3/19/18 PLATE NO. W21-66.1

PROJECT NO: \_\_\_\_\_ HWY: \_\_\_\_\_ COUNTY: \_\_\_\_\_ SHEET NO: **E**