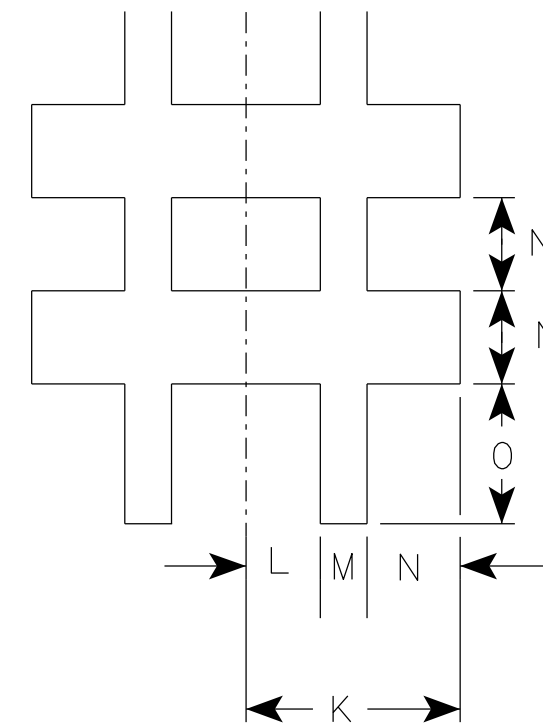


W10-12

NOTES

1. Sign is Type II - Type F Reflective
2. Color:
Background - Yellow
Message - Black
3. W10-12L same as W10-12R except symbol is reversed.

BLOW UP OF DETAIL



SIZE	A	B	C	D	E	F	G	H	I	J	K	L	M	N	O	P	Q	R	S	T	U	V	W	X	Y	Z	Area sq. ft.
1																											
2S	36		2 1/4	1/2	5/8	17 3/8	13 3/4	7 3/4	6	9 7/8	3 1/2	1 1/4	3/4	1 1/2	2 1/4												9
2M	36		2 1/4	1/2	5/8	17 3/8	13 3/4	7 3/4	6	9 7/8	3 1/2	1 1/4	3/4	1 1/2	2 1/4												9
3	48		3	3/4	1	23 1/8	18 1/4	10 1/4	8	13 1/4	4 1/2	1 1/2	1	2	3												16
4	48		3	3/4	1	23 1/8	18 1/4	10 1/4	8	13 1/4	4 1/2	1 1/2	1	2	3												16
5	48		3	3/4	1	23 1/8	18 1/4	10 1/4	8	13 1/4	4 1/2	1 1/2	1	2	3												16

STANDARD SIGN
W10-12

WISCONSIN DEPT OF TRANSPORTATION

APPROVED *Matthew R Rauch*
for State Traffic Engineer

DATE 11/14/2023 PLATE NO. W10-12.5

PROJECT NO: _____ HWY: _____ COUNTY: _____ SHEET NO: **E**