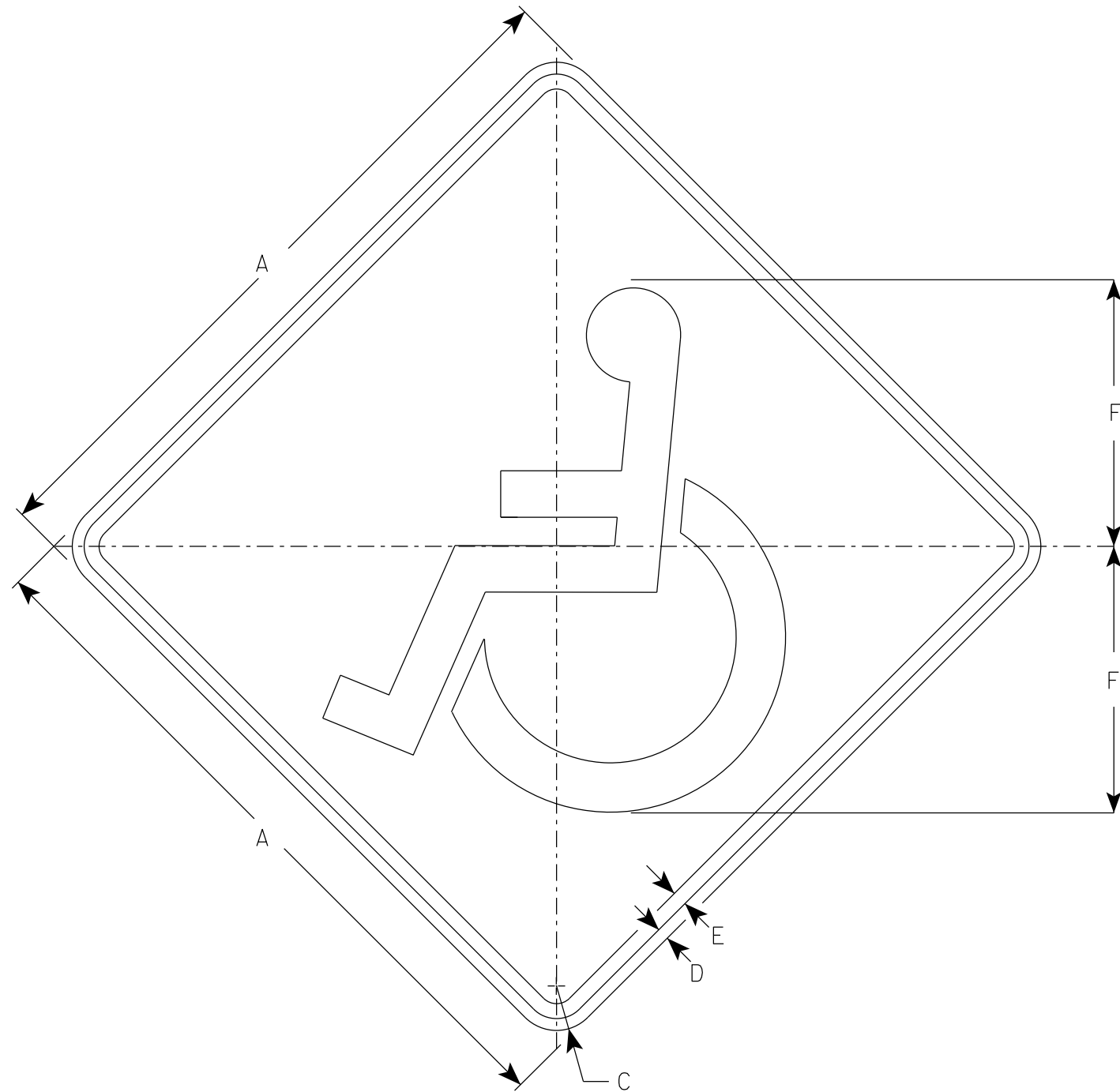


NOTES

1. Sign is Type II - Type F Reflective
2. Color:
 Background - Yellow
 Symbol - Black



W11-9

SIZE	A	B	C	D	E	F	G	H	I	J	K	L	M	N	O	P	Q	R	S	T	U	V	W	X	Y	Z	Area sq. ft.
1	24		1 1/2	3/8	1/2	9																					4.0
2S	30		1 7/8	1/2	5/8	11 1/4																					6.25
2M	36		2 1/4	5/8	3/4	13 1/2																					9.0
3	36		2 1/4	5/8	3/4	13 1/2																					9.0
4	48		3	3/4	1	18																					16.0
5																											

STANDARD SIGN	
W11-9	
WISCONSIN DEPT OF TRANSPORTATION	
APPROVED	<i>Matthew R Rauch</i> For State Traffic Engineer
DATE 11/20/2023	PLATE NO. W11-9.5