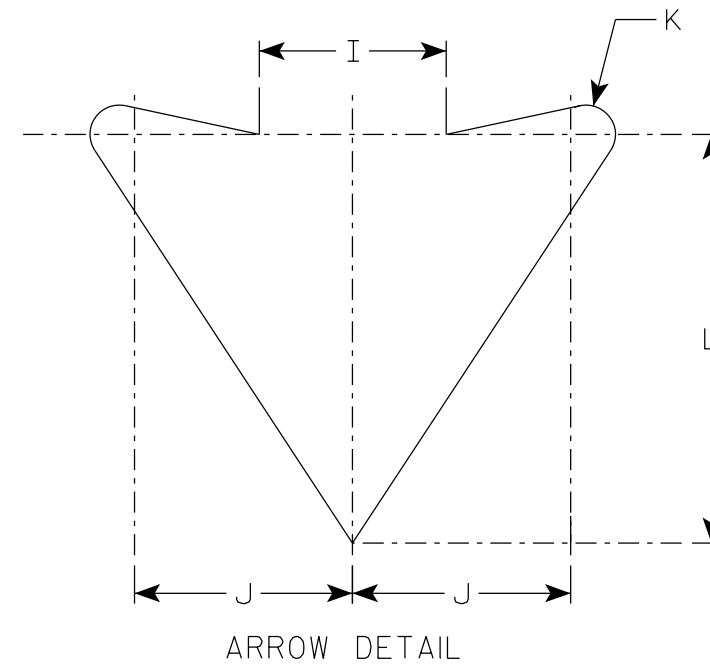
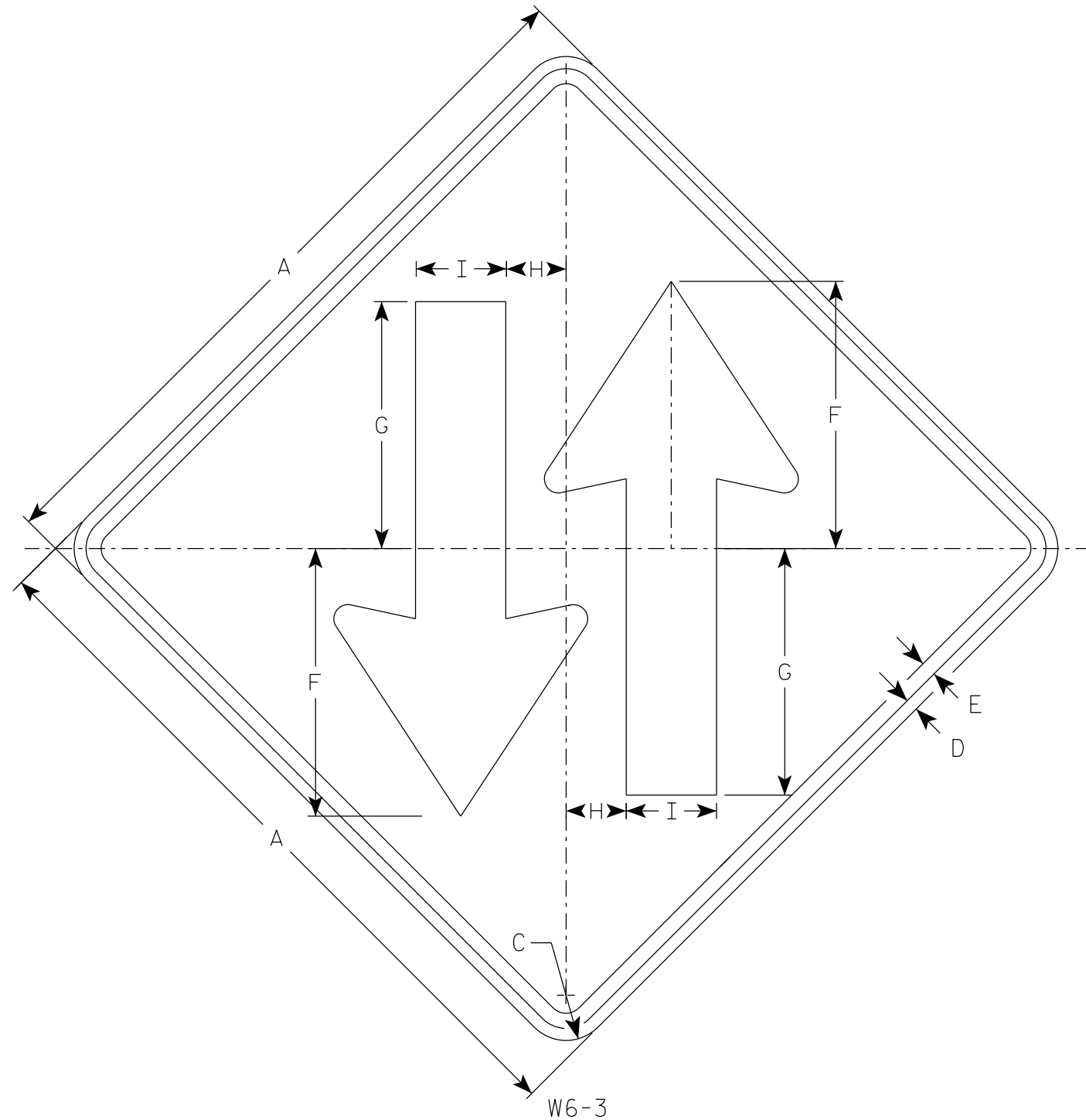


NOTES

1. Sign is Type II - Type F Reflective
2. Color:  
Background - Yellow  
Message - Black



7

7

SIZE	A	B	C	D	E	F	G	H	I	J	K	L	M	N	O	P	Q	R	S	T	U	V	W	X	Y	Z	Area sq. ft.
1	30		1 7/8	1/2	5/8	11 1/8	10 1/4	2 1/2	3 3/4	4 3/8	5/8	8 1/4															6.25
2S	36		2 1/4	5/8	3/4	13 3/8	12 1/4	3	4 1/2	5 1/4	3/4	9 7/8															9.0
2M	36		2 1/4	5/8	3/4	13 3/8	12 1/4	3	4 1/2	5 1/4	3/4	9 7/8															9.0
3	36		2 1/4	5/8	3/4	13 3/8	12 1/4	3	4 1/2	5 1/4	3/4	9 7/8															9.0
4	48		3	3/4	1	17 3/4	16 3/8	4	6	7	1	13 1/8															16.0
5	48		3	3/4	1	17 3/4	16 3/8	4	6	7	1	13 1/8															16.0

STANDARD SIGN  
W6-3

WISCONSIN DEPT OF TRANSPORTATION

APPROVED *Matthew R. Rauch*  
for State Traffic Engineer

DATE 9/6/2023 PLATE NO. W6-3.12

PROJECT NO: \_\_\_\_\_ HWY: \_\_\_\_\_ COUNTY: \_\_\_\_\_ SHEET NO: \_\_\_\_\_ E