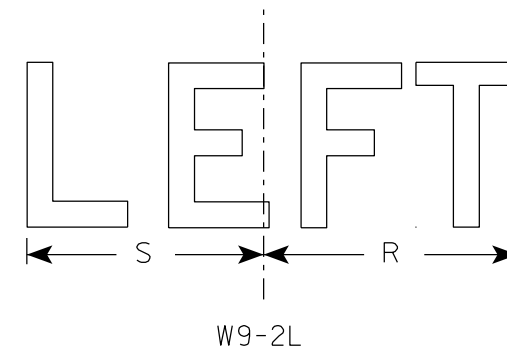


- NOTES
1. Sign is Type II - Type F Reflective
  2. Color:  
Background - Yellow  
Message - Black
  3. Message Series - See note 4
  4. Line 1 is Series C, lines 2 & 3 are Series D.
  5. W9-1L is the same as W9-2R except the word LEFT replaces RIGHT.



SIZE	A	B	C	D	E	F	G	H	I	J	K	L	M	N	O	P	Q	R	S	T	U	V	W	X	Y	Z	Area sq. ft.
1	30		1 7/8	1/2	5/8	5	2 1/2	3	8	1	1 1/8	8 1/4	10 3/8	10 5/8	8 5/8	9 7/8		7 5/8	7 1/8								6.25
2S	36		2 1/4	5/8	3/4	6	3	4	10 3/8	1 5/8	1 1/2	11	12 3/8	12 3/4	10 1/4	11 3/4		9 1/8	8 1/2								9.0
2M	36		2 1/4	5/8	3/4	6	3	4	10 3/8	1 5/8	1 1/2	11	12 3/8	12 3/4	10 1/4	11 3/4		9 1/8	8 1/2								9.0
3	36		2 1/4	5/8	3/4	6	3	4	10 3/8	1 5/8	1 1/2	11	12 3/8	12 3/4	10 1/4	11 3/4		9 1/8	8 1/2								9.0
4	48		3	3/4	1	8	4	6	14 1/2	2	3 1/4	13 3/4	16 3/8	17 1/8	13 3/4	15 3/4		12 1/4	11 1/4								16.0
5	48		3	3/4	1	8	4	6	14 1/2	2	3 1/4	13 3/4	16 3/8	17 1/8	13 3/4	15 3/4		12 1/4	11 1/4								16.0

STANDARD SIGN  
W9-2

WISCONSIN DEPT OF TRANSPORTATION

APPROVED *Matthew R. Rauch*  
for State Traffic Engineer

DATE 11/9/2023 PLATE NO. W9-2.11