



Wisconsin Department of Transportation

February 26, 2015

Division of Transportation Systems Development

Bureau of Project Development
 4802 Sheboygan Avenue, Rm 601
 P O Box 7916
 Madison, WI 53707-7916

Telephone: (608) 266-1631
 Facsimile (FAX): (608) 266-8459

NOTICE TO ALL CONTRACTORS:

Proposal #01: 1003-10-71
Illinois State Line - Madison
CTH S, Shopiere Road Interchange
IH 39
Rock County

Letting of March 10, 2015

This is Addendum No. 1, which provides for the following:

Special Provisions

Added Special Provisions	
Article No.	Description
79	Ice Hot Weather Concreting, 501.1000.S
80	Pigmented Protective Surface Treatment, 502.3210.S

Schedule of Items

Revised Bid Item Quantities					
Bid Item	Item Description	Unit	Old Quantity	Revised Quantity	Proposal Total
502.3200	Protective Surface Treatment	SY	2,809	2,559	2,559
SPV.0195	002. QMP Base Aggregate Dense 1 ¼-Inch Compaction	TON	72,000	77,042	77,042

Added Bid Item Quantities					
Bid Item	Item Description	Unit	Old Quantity	Revised Quantity	Proposal Total
501.1000.S	Ice Hot Weather Concreting	LB	0	11,085	11,085
502.3210.S	Pigmented Protective Surface Treatment	SY	0	250	250
715.0502.001	Incentive Strength Concrete Structures 001. B-53-313	DOL	0	8,868	8,868

Plan Sheets

Revised Plan Sheets	
Plan Sheet	Plan Sheet Title (brief description of changes to sheet)
243	Miscellaneous Quantities Sheet – Revised QMP Base Aggregate Dense 1 1/4-inch Compaction
470	General notes updated to revise Protective Surface Treatment note and to add Pigmented Protective Surface Treatment note. “Total Estimated Quantities” table revised accordingly.
488	Add note to “Partial Cross Section at both edges of Deck” detail for Pigmented Protective Surface Treatment, and revise existing note and leader locations.

The responsibility for notifying potential subcontractors and suppliers of these changes remains with the prime contractor.

Sincerely,

Mike Coleman

Proposal Development Specialist
Proposal Management Section

ADDENDUM NO. 1

1003-10-71

February 26, 2015

Special Provisions

79. Ice Hot Weather Concreting, Item 501.1000.S.

Conform to standard spec 501.3.8.2 except the department will pay for ice at the contract unit price under the Ice Hot Weather Concreting bid item. This special provision only applies to work done under the following contract bid items:

Concrete Masonry Bridges	Concrete Masonry Retaining Walls
Concrete Masonry Bridges HES	Concrete Masonry Retaining Walls HES
Concrete Masonry Culverts	Concrete Masonry Endwalls
Concrete Masonry Culverts HES	Concrete Masonry Overlay Decks
High Performance Concrete (HPC) Masonry Structures	

Replace standard spec 501.4 and 501.5 with the following:

501.4 Measurement

- (1) The department will measure Ice Hot Weather Concreting by the pound acceptably completed, measured only if the conditions prescribed in 501.3.8.2 are met.

501.5 Payment

- (1) The department will pay for the measured quantity at the contract unit price under the following bid item:

ITEM NUMBER	DESCRIPTION	UNIT
501.1000.S	Ice Hot Weather Concreting	LB

- (2) Payment for Ice Hot Weather Concreting is full compensation for ice used to cool concrete placed in hot weather as specified in 501.3.8.2.
- (3) The department will not pay directly for the concrete specified under this section. Concrete is incidental to the various bid items using it. Payment under those bid items includes providing all materials, including aggregates and associated aggregate source testing, cement, fly ash, slag, and admixtures; for preparing, transporting, storing, protecting and curing concrete; and for contractor requirements related to testing specified in 501.3.10.
- (4) If required to remove and replace any concrete damaged by lack of proper protection. Perform this work at no expense to the department.
501-010 (20150121)

80. Pigmented Protective Surface Treatment, Item 502.3210.S.

A Description

This special provision describes providing a pigmented cure and seal compound to the inside and top faces of concrete parapets.

B Materials

Furnish a gray Cure and Seal Compound for Non-Trafficked Surfaces on Structural Masonry selected from the department's approved products list unless the contract specifies a different color.

C Construction

Apply pigmented cure and seal compound to the inside and top faces of concrete parapets after the required surface finish has been applied per 502.3.7. Apply before opening to traffic and before suspending work for the winter.

Ensure that the concrete is clean and dry, and that application equipment is clean and functioning properly. Air blast immediately before applying the pigmented cure and seal compound to remove all dust or loose particles. Follow the manufacturer’s recommended coverage rate. If application at that rate in a single coat causes running, use two lighter coats allowed to dry between coats.

D Measurement

The department will measure Pigmented Protective Surface Treatment by the square yard, acceptably completed.

E Payment

The department will pay for the measured quantity at the contract unit price under the following bid item:

ITEM NUMBER	DESCRIPTION	UNIT
502.3210.S	Pigmented Protective Surface Treatment	SY

Payment is full compensation for providing the compound; including surface preparation and cleaning.
502-050 (20141107)

Schedule of Items

Attached, dated February 26, 2015, are the revised Schedule of Items, Pages 5 and 26.

Plan Sheets

The following 8½ x 11-inch sheets are attached and made part of the plans for this proposal:
Revised: 243, 470 and 488

END OF ADDENDUM

CONTAMINATED SOIL EXCAVATION

Addendum No. 1
ID 1003-10-71
Revised Sheet 243
February 26, 2015

REMOVING SMALL PIPE CULVERTS

Table with columns: CATEGORY 1000, STATION, LOCATION, EACH, REMARKS. Includes stages 1, 2, 2A, 2B, 3, 4 and subtotals.

SPV_0195.001
EXCAVATION, HAULING, AND
DISPOSAL OF PETROLEUM
CONTAMINATED SOIL

Table with columns: CATEGORY 1000, STATION, LOCATION, LF, EACH, REMARKS. Includes stages 1, 2, 2A, 2B, 3, 4 and subtotals.

Table with columns: CATEGORY 1000, STATION, LOCATION, EACH, REMARKS. Includes stages 1, 2, 2A, 2B, 3, 4 and subtotals.

Table with columns: CATEGORY 1000, STATION, LOCATION, LF, EACH, REMARKS. Includes stages 1, 2, 2A, 2B, 3, 4 and subtotals.

Table with columns: CATEGORY 1000, STATION, LOCATION, EACH, REMARKS. Includes stages 1, 2, 2A, 2B, 3, 4 and subtotals.

Table with columns: CATEGORY 1000, STATION, LOCATION, LF, EACH, REMARKS. Includes stages 1, 2, 2A, 2B, 3, 4 and subtotals.

Table with columns: CATEGORY 1000, STATION, LOCATION, EACH, REMARKS. Includes stages 1, 2, 2A, 2B, 3, 4 and subtotals.

Table with columns: CATEGORY 1000, STATION, LOCATION, LF, EACH, REMARKS. Includes stages 1, 2, 2A, 2B, 3, 4 and subtotals.

Table with columns: CATEGORY 1000, STATION, LOCATION, EACH, REMARKS. Includes stages 1, 2, 2A, 2B, 3, 4 and subtotals.

Table with columns: CATEGORY 1000, STATION, LOCATION, LF, EACH, REMARKS. Includes stages 1, 2, 2A, 2B, 3, 4 and subtotals.

Table with columns: CATEGORY 1000, STATION, LOCATION, EACH, REMARKS. Includes stages 1, 2, 2A, 2B, 3, 4 and subtotals.

Table with columns: CATEGORY 1000, STATION, LOCATION, LF, EACH, REMARKS. Includes stages 1, 2, 2A, 2B, 3, 4 and subtotals.

Table with columns: CATEGORY 1000, STATION, LOCATION, EACH, REMARKS. Includes stages 1, 2, 2A, 2B, 3, 4 and subtotals.

Table with columns: CATEGORY 1000, STATION, LOCATION, LF, EACH, REMARKS. Includes stages 1, 2, 2A, 2B, 3, 4 and subtotals.

Table with columns: CATEGORY 1000, STATION, LOCATION, EACH, REMARKS. Includes stages 1, 2, 2A, 2B, 3, 4 and subtotals.

Table with columns: CATEGORY 1000, STATION, LOCATION, LF, EACH, REMARKS. Includes stages 1, 2, 2A, 2B, 3, 4 and subtotals.

Table with columns: CATEGORY 1000, STATION, LOCATION, EACH, REMARKS. Includes stages 1, 2, 2A, 2B, 3, 4 and subtotals.

Table with columns: CATEGORY 1000, STATION, LOCATION, LF, EACH, REMARKS. Includes stages 1, 2, 2A, 2B, 3, 4 and subtotals.

* ADDITIONAL QUANTITY LISTED IN BASE-AGGREGATE SUMMARY

* ADDITIONAL QUANTITY LISTED IN STRUCTURES PLAN

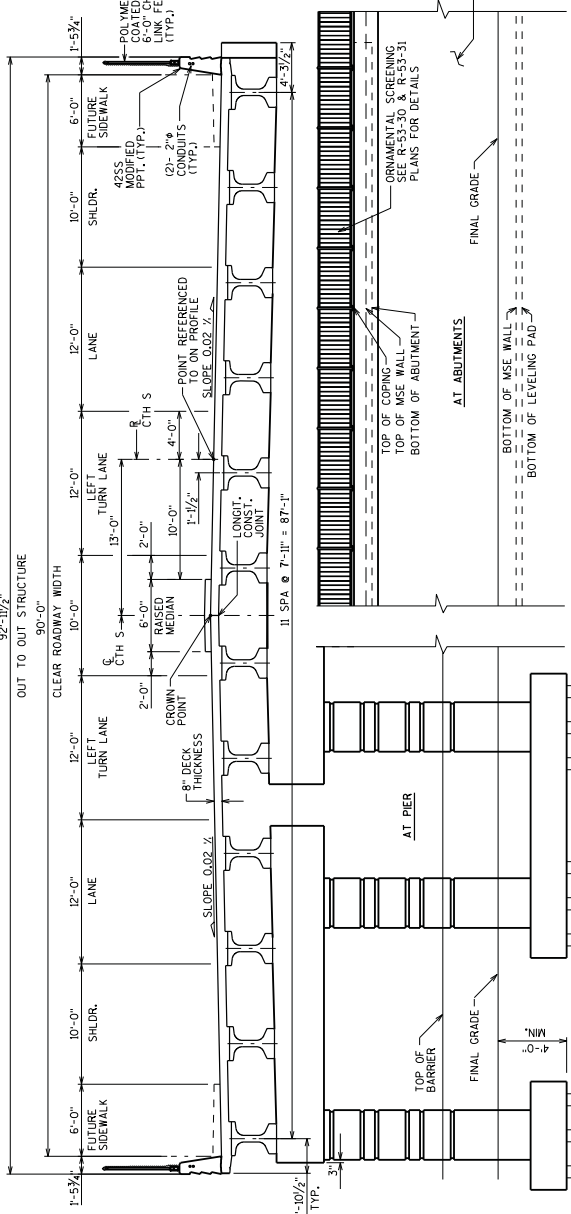
PROJECT NO: 1003-10-71 HWY: IH 39 COUNTY: ROCK

MISCELLANEOUS QUANTITIES SHEET 243

STATE PROJECT NUMBER
1003-10-71

GENERAL NOTES

DRAWINGS SHALL NOT BE SCALED.
 BAR STEEL REINFORCEMENT SHALL BE EMBEDDED 2" CLEAR UNLESS OTHERWISE SHOWN OR NOTED.
 THE FIRST OR FIRST TWO DIGITS OF THE BAR MARK SIGNIFIES THE BAR SIZE.
 AT THE BACKFACE OF ABUTMENT ALL VOLUME WHICH CANNOT BE PLACED SPECIALLY SHALL BE BACKFILLED WITH STRUCTURE BACKFILL. THE NEW REINFORCING BARS SHALL BE INDIVIDUALLY MOLDED PROVIDED THE CUT EDGES ARE SMOOTH AND TRUE.
 THE GRADATION OF THE STRUCTURE BACKFILL SHALL MEET THE REQUIREMENTS OF SECTION 709.00. THE BACKFILL SHALL BE PLACED TO THE ENTIRE TOP OF DECK PROTECTIVE SURFACE TREATMENT TO BE APPLIED TO THE FRONT FACES OF SURFACE, MEDIAN, STRUCTURAL APPROACH SLABS.
 PIGMENTED PROTECTIVE SURFACE TREATMENT TO BE APPLIED TO THE FRONT FACES AND TOPS OF PARAPETS.
 THE EXISTING GROUND LINE SHALL BE OBEYED AS THE UPPER LIMITS OF EXCAVATION AT THE PIERS.
 THE EXISTING STRUCTURE (B-53-0044) IS A 4-SPAN, 36" STEEL GIRDER BRIDGE WITH AN OVERALL LENGTH OF 256'-8" AND A CLEAR ROADWAY WIDTH OF 34'-0". THE EAST SIDEWALK AND TURN LANE ARE TO BE REMOVED. THE STRUCTURE IS TO BE REMOVED BY A SPREAD FOOTING. THE ENTIRE STRUCTURE IS TO BE REMOVED. THE BID ITEM "REMOVING OLD STRUCTURE STA. 34+21.31" AFTER CONSTRUCTION OF B-53-313 IS COMPLETED.
 CONCRETE STAINING AND ARCHITECTURAL SURFACE TREATMENT REQUIRED ON BRIDGE.
 SEE AESTHETIC DETAILS SHEET FOR DETAILS.

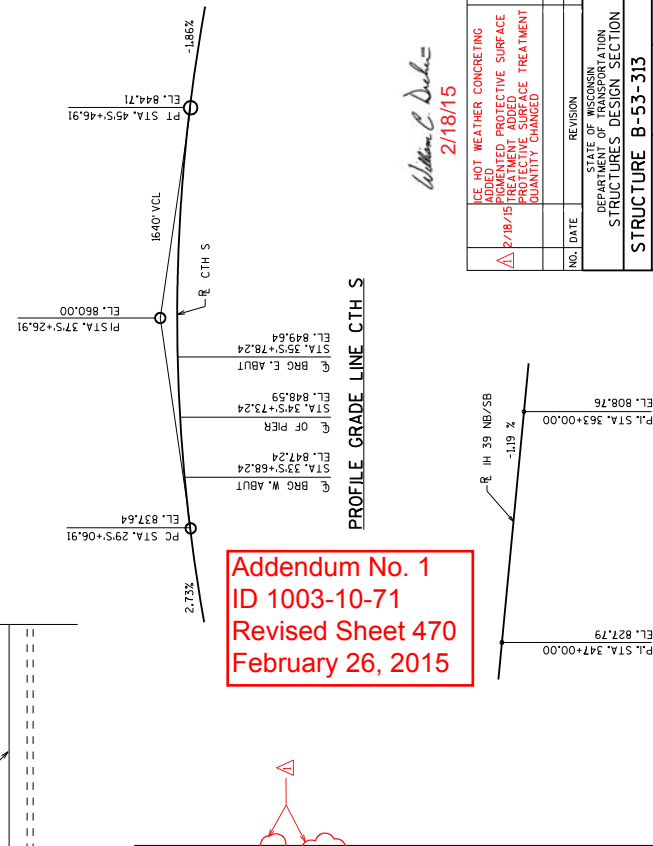


TOTAL ESTIMATED QUANTITIES

LOOKING EAST

BID ITEM NUMBER	BID ITEMS	UNIT	SUPER	WEST APPROACH	WEST ABUT.	PIER	EAST ABUT.	EAST APPROACH	TOTALS
203.0200.001	REMOVING OLD STRUCTURE STA. 34+S+21.31	LS							1
203.0225.5.001	DEBRIS CONTAINMENT B-53-0044	LS							1
206.1000.001	EXCAVATION FOR STRUCTURES BRIDGES B-53-313	LS							1
210.0100	BACKFILL STRUCTURE	CY			295		265		560
305.0000	BASE-AGGREGATE-DENSE-1 1/2-INCH	TON		221				271	542
501.0000.S	ICE HOT WEATHER CONCRETING	LB		202					202
502.0000	CONCRETE MASONRY BRIDGES	SY	2155	202					2557
502.3200	PROTECTIVE SURFACE TREATMENT	SY	210	20					230
502.3210.S	PIGMENTED PROTECTIVE SURFACE TREATMENT	SY	2528						2528
505.0405	BAR STEEL REINFORCEMENT HS COATED BRIDGES	LB	179,260	21,510	9,090	6,970	2,470	21,510	249,300
505.0605	BAR STEEL REINFORCEMENT HS COATED BRIDGES	LB	179,260	21,510	2,540	30,880	2,470	21,510	256,170
506.2605	BEARING PADS ELASTOMERIC NON-LAMINATED	EACH	44		12	24			48
506.4000.001	STEEL DIAPHRAGMS B-53-313	SY							4
516.0500	RUBBERIZED MEMBRANE WATERPROOFING	SY			26		26		52
517.0000.S.001	CONCRETE STAINING B-53-313	SF	5,777		1,025	2,480	925		24,992
517.0050.S.001	ARCHITECTURAL SURFACE TREATMENT B-53-313	SF	1,212		690		590		2,492
550.1000	PILING STEEL HP 10-INCH X 42 LB	LF		630	540	630	630		2,490
550.0020	PREFORING ROCK OR CONSOLIDATED MATERIAL	LF			28	540	210		960
604.0400	SLOPE PAVING CONCRETE	SY			28		28		56
614.0150	ANCHOR ASSEMBLIES FOR STEEL PLATE BEAM GUARD	EACH	4						4
652.0125	CONDUIT RIGID METALLIC 2-INCH	LF	96						96
653.0225	CONDUIT RIGID NONMETALLIC SCHEDULE 40 2-INCH	LF	988						988
SPV.0035.700	HIGH PERFORMANCE CONCRETE (HPC) MASONRY STRUCTURES	CY	4						4
SPV.0085.700	BAR STEEL REINFORCEMENT HS STAINLESS BRIDGES	LB	785	100	1547			100	3,094
SPV.0090.700	FENCE CHAIN LINK POLYMER COATED 6-F T	LF	508		1547			1547	508
SPV.0165.700	LONGITUDINAL GROOVING BRIDGE DECK	SF	17,880	1,680				1,680	21,240
	NON-BID ITEMS	SIZE							
	FILLER								1/2" x 1/2"

CROSS SECTION THRU ROADWAY



Addendum No. 1
ID 1003-10-71
Revised Sheet 470
February 26, 2015

PROFILE GRADE LINE C.T.H.S

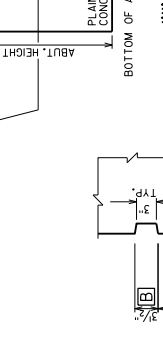
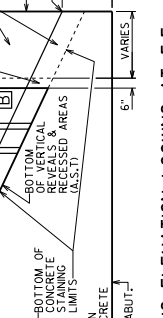
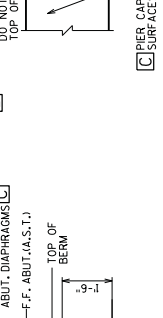
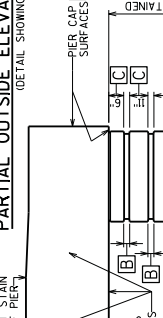
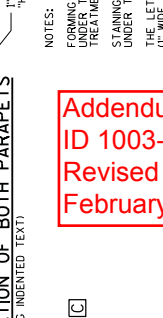
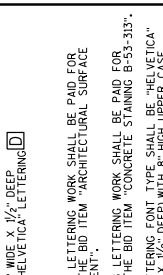
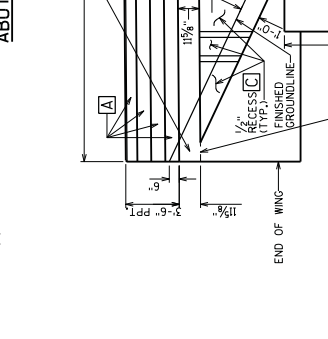
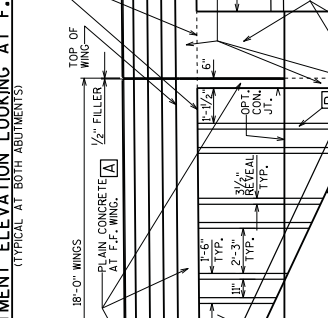
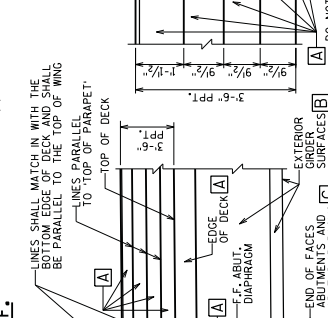
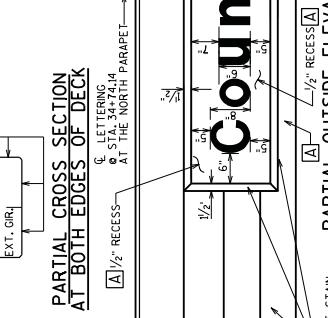
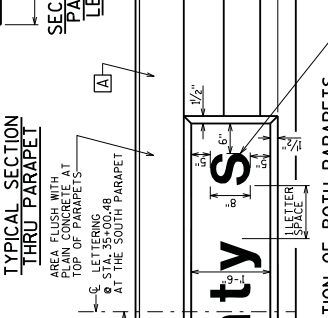
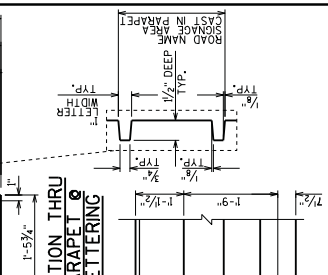
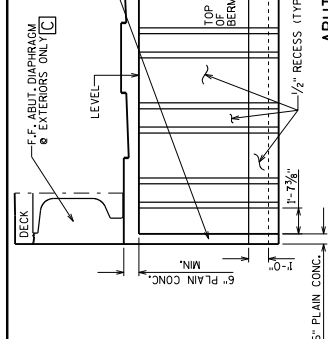
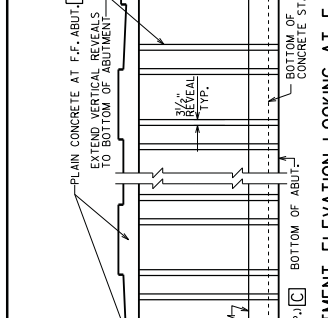
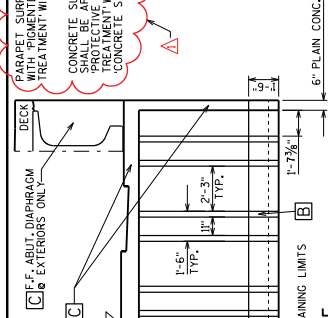
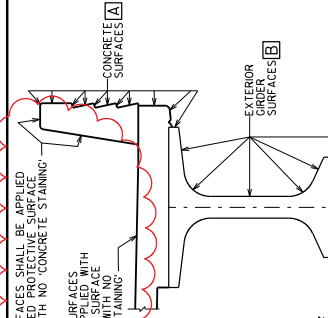
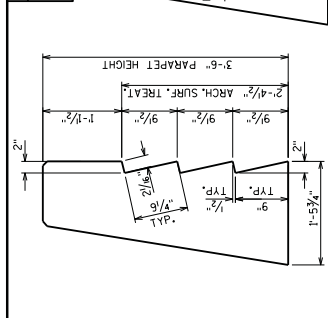
William C. Decker
2/18/15

NO.	DATE	REVISION	BY
1		ICE HOT WEATHER CONCRETING ADDED	
2		ADDED PROTECTIVE SURFACE TREATMENT	
3		ADDED PROTECTIVE SURFACE TREATMENT QUANTITY CHANGED	

STATE OF WISCONSIN
 DEPARTMENT OF TRANSPORTATION
STRUCTURES DESIGN SECTION
STRUCTURE B-53-313
 DRAWN BY: WMR
 CHECKED BY: SAD
 CROSS SECTION SHEET 2
470

PROFILE GRADE LINE IH 39 NB/SB

STATE PROJECT NUMBER
1003-10-71



NOTES:
FORMING LETTERING WORK SHALL BE PAID FOR UNDER THE BID ITEM "ARCHITECTURAL SURFACE TREATMENT".
STAINING LETTERING WORK SHALL BE PAID FOR UNDER THE BID ITEM "CONCRETE STAINING B-53-313".
THE LETTERING FONT TYPE SHALL BE "HELVETICA" LETTERS AND "HIGH LOWER CASE LETTERS".
LETTERING SHALL ONLY BE PLACED AT THE OUTSIDE FACES OF PARAPETS.
STAINING OF CONCRETE SURFACE SHALL BE PAID FOR UNDER THE BID ITEM "CONCRETE STAINING B-53-313".
IF TOUCH UP PAINTING IS REQUIRED, IT SHALL BE DONE TO THE SATISFACTION OF THE FIELD ENGINEER AT NO ADDITIONAL COST.
A.S.T. = ARCHITECTURAL SURFACE TREATMENT

PARAPET SURFACES SHALL BE APPLIED WITH NO 'CONCRETE STAINING'.
CONCRETE SURFACES SHALL BE APPLIED WITH NO 'CONCRETE STAINING'.

PARAPET SURFACES SHALL BE APPLIED WITH NO 'CONCRETE STAINING'.
CONCRETE SURFACES SHALL BE APPLIED WITH NO 'CONCRETE STAINING'.

PARAPET SURFACES SHALL BE APPLIED WITH NO 'CONCRETE STAINING'.
CONCRETE SURFACES SHALL BE APPLIED WITH NO 'CONCRETE STAINING'.

PARAPET SURFACES SHALL BE APPLIED WITH NO 'CONCRETE STAINING'.
CONCRETE SURFACES SHALL BE APPLIED WITH NO 'CONCRETE STAINING'.

PARAPET SURFACES SHALL BE APPLIED WITH NO 'CONCRETE STAINING'.
CONCRETE SURFACES SHALL BE APPLIED WITH NO 'CONCRETE STAINING'.

PARAPET SURFACES SHALL BE APPLIED WITH NO 'CONCRETE STAINING'.
CONCRETE SURFACES SHALL BE APPLIED WITH NO 'CONCRETE STAINING'.

PARAPET SURFACES SHALL BE APPLIED WITH NO 'CONCRETE STAINING'.
CONCRETE SURFACES SHALL BE APPLIED WITH NO 'CONCRETE STAINING'.

PARAPET SURFACES SHALL BE APPLIED WITH NO 'CONCRETE STAINING'.
CONCRETE SURFACES SHALL BE APPLIED WITH NO 'CONCRETE STAINING'.

PARAPET SURFACES SHALL BE APPLIED WITH NO 'CONCRETE STAINING'.
CONCRETE SURFACES SHALL BE APPLIED WITH NO 'CONCRETE STAINING'.

PARAPET SURFACES SHALL BE APPLIED WITH NO 'CONCRETE STAINING'.
CONCRETE SURFACES SHALL BE APPLIED WITH NO 'CONCRETE STAINING'.

PARAPET SURFACES SHALL BE APPLIED WITH NO 'CONCRETE STAINING'.
CONCRETE SURFACES SHALL BE APPLIED WITH NO 'CONCRETE STAINING'.

NO.	DATE	REVISION	BY
1	2/18/15	PROHIBITED PROTECTIVE SURFACE TREATMENT QUANTITY CHANGED	SAD

STATE OF WISCONSIN DEPARTMENT OF TRANSPORTATION STRUCTURES DESIGN SECTION	
STRUCTURE B-53-313	
DESIGNED BY	W.M.R.
CHECKED BY	S.A.D.
AESTHETICS DETAILS	
SHEET NO.	488

COLOR STAINING SCHEDULE	
A	AREAS SHALL BE STAINED WITH FEDERAL COLOR NUMBER 36642.
B	AREAS SHALL BE STAINED WITH FEDERAL COLOR NUMBER 30140.
C	AREAS SHALL BE STAINED WITH FEDERAL COLOR NUMBER 30372.
D	LETTERING SHALL BE STAINED WITH FEDERAL COLOR NUMBER 27038.

ADDENDUM NO. 1
ID 1003-10-71
REVISED SHEET 488
FEBRUARY 26, 2015

WILLIAM C. DULON
2/18/15

STATE OF WISCONSIN
DEPARTMENT OF TRANSPORTATION
STRUCTURES DESIGN SECTION
STRUCTURE B-53-313
DESIGNED BY W.M.R.
CHECKED BY S.A.D.
AESTHETICS
DETAILS
SHEET NO. 488

SCHEDULE OF ITEMS

REVISED:

CONTRACT:
20150310001PROJECT(S):
1003-10-71FEDERAL ID(S):
N/A

CONTRACTOR : _____

LINE NO	ITEM DESCRIPTION	APPROX. QUANTITY AND UNITS	UNIT PRICE		BID AMOUNT	
			DOLLARS	CTS	DOLLARS	CTS
0440	465.0400 Asphaltic Shoulder Rumble Strips	1,090.000 LF
0450	502.0100 Concrete Masonry Bridges	493.000 CY
0460	502.3200 Protective Surface Treatment	2,559.000 SY
0470	503.0146 Prestressed Girder Type I 45W-Inch	2,529.000 LF
0480	505.0405 Bar Steel Reinforcement HS Bridges	24,930.000 LB
0490	505.0605 Bar Steel Reinforcement HS Coated Bridges	258,170.000 LB
0500	506.2605 Bearing Pads Elastomeric Non-Laminated	48.000 EACH
0510	506.4000 Steel Diaphragms (structure) 001. B-53-313	44.000 EACH
0520	511.1200 Temporary Shoring (structure) 001. R-53-30	360.000 SF
0530	511.1200 Temporary Shoring (structure) 002. R-53-31	460.000 SF
0540	516.0500 Rubberized Membrane Waterproofing	52.000 SY

SCHEDULE OF ITEMS

REVISED:

CONTRACT:
20150310001

PROJECT(S):
1003-10-71

FEDERAL ID(S):
N/A

CONTRACTOR : _____

LINE NO	ITEM DESCRIPTION	APPROX. QUANTITY AND UNITS	UNIT PRICE		BID AMOUNT	
			DOLLARS	CTS	DOLLARS	CTS
2660	SPV.0165 Special 851. Wall Concrete Panel Mechanically Stabilized Earth LRFD/QMP R-53-31	4,159.000 SF
2670	SPV.0165 Special 852. Wall Concrete Panel Mechanically Stabilized Earth LRFD/QMP R-53-34	2,289.000 SF
2680	SPV.0195 Special 001. Excavation, Hauling, And Disposal of Petroleum-Contaminated Soil	100.000 TON
2690	SPV.0195 Special 002. QMP Base Aggregate Dense 1 1/4-Inch Compaction	77,042.000 TON
2700	501.1000.S Ice Hot Weather Concreting	11,085.000 LB
2710	502.3210.S Pigmented Protective Surface Treatment	250.000 SY
2720	715.0502 Incentive Strength Concrete Structures 001. B-53-313	8,868.000 DOL	1.00000		8868.00	
	SECTION 0001 TOTAL				.	
	TOTAL BID				.	