



# Wisconsin Department of Transportation

April 30, 2015

**Division of Transportation Systems Development**

Bureau of Project Development  
 4802 Sheboygan Avenue, Rm 601  
 P O Box 7916  
 Madison, WI 53707-7916

Telephone: (608) 266-1631  
 Facsimile (FAX): (608) 266-8459

**NOTICE TO ALL CONTRACTORS:**

**Proposal #33: 1009-32-33  
 Oneida Wetland Mitigation Bank  
 Northeast Region  
 Non-Hwy  
 Brown County**

**Letting of May 12, 2015**

This is Addendum No. 4, which provides for the following:

**Special Provisions**

Revised Special Provisions	
Article No.	Description
18	Native American Hiring

Deleted Special Provisions	
Article No.	Description
9	Boundary Marker, Item SPV.0060.01

**Schedule of Items**

Added Bid Item Quantities					
Bid Item	Item Description	Unit	Old Quantity	Revised Quantity	Proposal Total
633.0200	Delineators Flexible	EA	0	32	32

Deleted Bid Item Quantities					
Bid Item	Item Description	Unit	Old Quantity	Revised Quantity	Proposal Total
SPV.0060.01	Boundary Marker	EA	32	0	0

## Plan Sheets

Revised Plan Sheets	
Plan Sheet	Plan Sheet Title (brief description of changes to sheet)
6	Construction Details: Removed boundary marker detail
28	Miscellaneous Quantities: Revised the earthwork table. Quantity remained the same, but table format was changed and notes added. Removed Boundary Marker and replaced with standard Delineator item.

Added Plan Sheets	
Plan Sheet	Plan Sheet Title (brief description of why sheet was added)
39A	SDD 15A4-2 Flexible Delineator Post

## Special Provisions

9. **DELETED.**

18. **Native American Hiring**

*Replace the second paragraph with the following:*

### **Oneida Tribe of Indians of Wisconsin (Oneida Nation) tribal labor office contact information:**

Travis Wallenfang  
Oneida Nation Indian Preference  
PO Box 365  
Oneida, WI 54155  
Phone: 920-496-5316  
Email: twallenf@oneidanation.org

## Schedule of Items

Attached, dated April 30, 2015, are the revised Schedule of Items Pages 4 and 5.

## Plan Sheets

The following 8½ x 11-inch sheets are attached and made part of the plans for this proposal:

Revised: 6 & 28.

Added: 39A

The responsibility for notifying potential subcontractors and suppliers of these changes remains with the prime contractor.

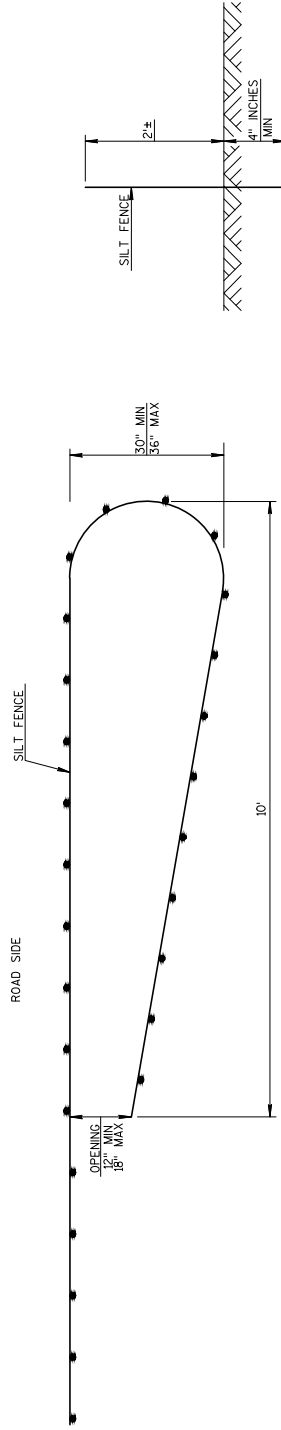
Sincerely,

*Mike Coleman*

Proposal Development Specialist  
Proposal Management Section

END OF ADDENDUM

Addendum No. 4  
ID 1009-32-33  
Revised Sheet 6  
April 30, 2015



PLAN VIEW

TEMPORARY SILT FENCE TURTLE TURN-AROUND DETAIL  
SCALE: NTS

CONSTRUCTION DETAILS

SHEET 6

E

PROJECT NO: 1009-32-33

HWY: NON-HIGHWAY

COUNTY: BROWN

PLOT BY: LBS CORPORATION

PLOT DATE: 4/27/2015 10:45 AM

PLOT NAME:

PLOT SCALE: \*\*\*\*

<p><b>CLEARING &amp; GRUBBING</b></p> <p>20,0015 CLEARING ACRES 20,0215 GRUBBING ACRES</p> <p>LOCATION PROJECT TOTAL</p> <p>0.09 0.09 0.09</p>	<p><b>MARKERS</b></p> <p>633,5200 DELINEATORS FLEXIBLE 633,5200 MARKERS CULVERT END</p> <p>LOCATION PROJECT TOTAL</p> <p>32 4 4</p>	<p><b>BREAKER RUN</b></p> <p>30,0106 BREAKER RUN CY SPILLWAY PARKING</p> <p>LOCATION PROJECT TOTAL</p> <p>105 40 145</p>	<p><b>CONSTRUCTION STAKING</b></p> <p>650,9910 CONSTRUCTION STAKING 650,6000 CONSTRUCTION STAKING PAIS</p> <p>LOCATION PROJECT TOTAL</p> <p>2 2 4</p>	<p><b>TRACKING PADS</b></p> <p>628,7560 TRACKING PADS EACH</p> <p>LOCATION PROJECT TOTAL</p> <p>2 2 4</p>
--	---	--	---	---

<p><b>MAINTENANCE AND REPAIR OF HAUL ROADS</b></p> <p>618,0100 MAINTENANCE AND REPAIR OF HAUL ROADS</p> <p>LOCATION PROJECT TOTAL</p> <p>1 1 2</p>	<p><b>DUST CONTROL</b></p> <p>624,0000 WATER MIST 1616 MIST</p> <p>LOCATION PROJECT TOTAL</p> <p>1616 1616 3232</p>	<p><b>MISCELLANEOUS</b></p> <p>642,5201 FIELD OFFICE EACH 642,5201 MOBILIZATION EACH</p> <p>LOCATION PROJECT TOTAL</p> <p>1 1 2</p>	<p><b>CONSTRUCTION STAKING</b></p> <p>650,9910 CONSTRUCTION STAKING 650,6000 CONSTRUCTION STAKING PAIS</p> <p>LOCATION PROJECT TOTAL</p> <p>2 2 4</p>	<p><b>TRACKING PADS</b></p> <p>628,7560 TRACKING PADS EACH</p> <p>LOCATION PROJECT TOTAL</p> <p>2 2 4</p>
--	---	---	---	---

<p><b>TOPSOIL</b></p> <p>625,0500 SALVAGED TOPSOIL SY</p> <p>LOCATION PROJECT TOTAL</p> <p>222,000 222,000 444,000</p>	<p><b>SEEDING</b></p> <p>630,0860 SPV,0060.03 SEEDING DEEP MARSH SPV,0085.02 SEEDING MEADOW AND UPLAND</p> <p>LOCATION PROJECT TOTAL</p> <p>460 15,800 150 175 175 444,000</p>	<p><b>TREES</b></p> <p>632,0010.01 TREES 632,0010.02 TREES 632,0010.03 TREES 632,0010.04 TREES 632,0010.05 TREES</p> <p>LOCATION PROJECT TOTAL</p> <p>124 124 124 124 124 496</p>	<p><b>MISCELLANEOUS</b></p> <p>642,5201 FIELD OFFICE EACH 642,5201 MOBILIZATION EACH</p> <p>LOCATION PROJECT TOTAL</p> <p>1 1 2</p>	<p><b>CONSTRUCTION STAKING</b></p> <p>650,9910 CONSTRUCTION STAKING 650,6000 CONSTRUCTION STAKING PAIS</p> <p>LOCATION PROJECT TOTAL</p> <p>2 2 4</p>	<p><b>TRACKING PADS</b></p> <p>628,7560 TRACKING PADS EACH</p> <p>LOCATION PROJECT TOTAL</p> <p>2 2 4</p>
--	--	---	---	---	---

<p><b>EROSION CONTROL</b></p> <p>522,0102 CULVERT PIPE 522,0112 APRON ENDWALLS 628,7504 FIBRE MAT 645,0200 FIBRE MAT</p> <p>LOCATION PROJECT TOTAL</p> <p>10,650 1,065 375 81,374 50 400</p>	<p><b>DRAINAGE</b></p> <p>522,0102 CULVERT PIPE 522,0112 APRON ENDWALLS 628,7504 FIBRE MAT 645,0200 FIBRE MAT</p> <p>LOCATION PROJECT TOTAL</p> <p>10,650 1,065 375 81,374 50 400</p>
--	---

<p><b>MISCELLANEOUS QUANTITIES</b></p> <p>642,5201 FIELD OFFICE EACH 642,5201 MOBILIZATION EACH</p> <p>LOCATION PROJECT TOTAL</p> <p>1 1 2</p>	<p><b>PLANT CARE</b></p> <p>SPV,020.01 WATER FOR SEEDING AND PLANTING 632,9101 LANDSCAPE PLANTING SURVILLANVE AND CACTLES EACH</p> <p>LOCATION PROJECT TOTAL</p> <p>15 15 30</p>
--	--

<p><b>EARTHWORK</b></p> <p>Common Excavation (CY) 19900 Excavation (CY) 19900 Cut (CY) 19900 Reduced Marsh in Fill (CY) 0 Marsh Excavation (CY) 0 Available Material (CY) 19900 Savaged/Unusable Material (CY) 0 Expanded Backfill (CY) 19900 Expanded Marsh Backfill (CY) 19900 Expanded Rock Backfill (CY) 19900 Expanded Fill (CY) 19900 Unexpanded Fill (CY) 19900 Expanded Fill (CY) 19900 Mass Waste (CY) 19900</p> <p>Factor 0.80 0.80 0.80 1.50 1.50 1.25 1.25 1.25 1.25 1.25 1.25 1.25</p>	<p><b>PLANT CARE</b></p> <p>SPV,020.01 WATER FOR SEEDING AND PLANTING 632,9101 LANDSCAPE PLANTING SURVILLANVE AND CACTLES EACH</p> <p>LOCATION PROJECT TOTAL</p> <p>15 15 30</p>
---	--

Addendum No. 4  
ID 1009-32-33  
Revised Sheet 28  
April 30, 2015

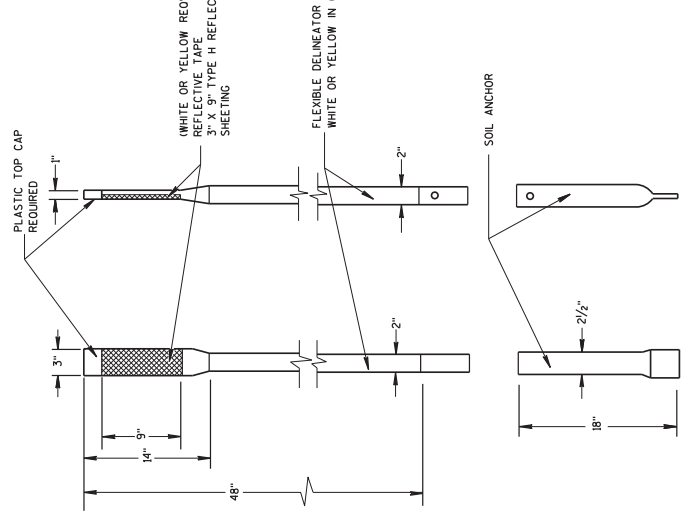
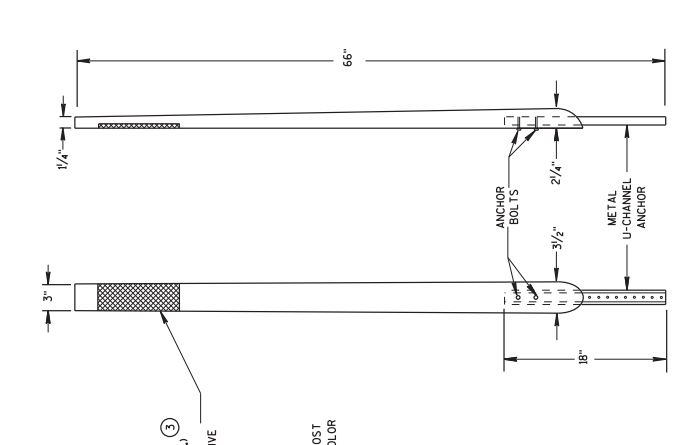
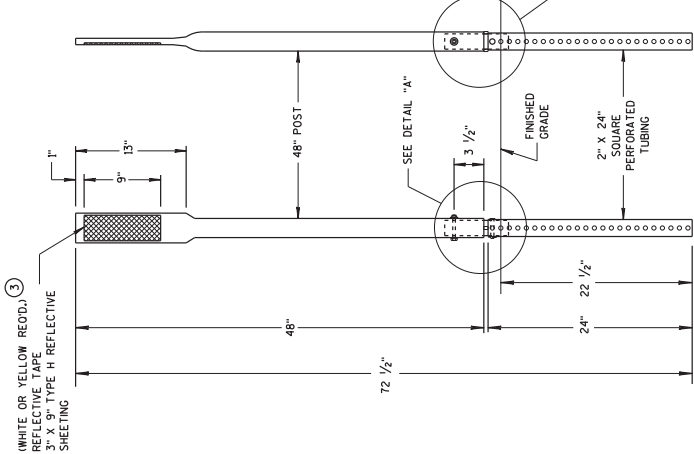
**GENERAL NOTES**

DETAILS OF CONSTRUCTION NOT SHOWN ON THIS DRAWING SHALL CONFORM TO THE PERTINENT REQUIREMENTS OF THE STANDARD SPECIFICATIONS AND THE APPLICABLE SPECIAL PROVISIONS.

① DELINEATORS SHALL BE PLACED AT A CONSTANT DISTANCE FROM THE EDGE OF THE SHOULDER FOR THE LENGTH OF THE INSTALLATION.

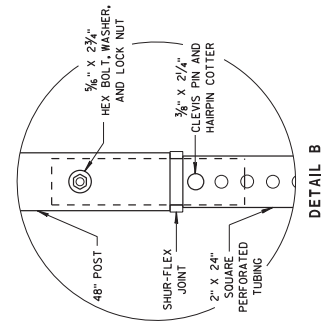
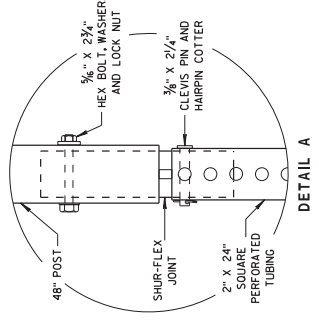
② EITHER ALTERNATE NO. 1, NO. 2 OR NO. 3 MAY BE FURNISHED.

③ AS PER SECTION 637.2.2.2 OF THE STANDARD SPECIFICATIONS FOR HIGHWAY AND STRUCTURE CONSTRUCTION.



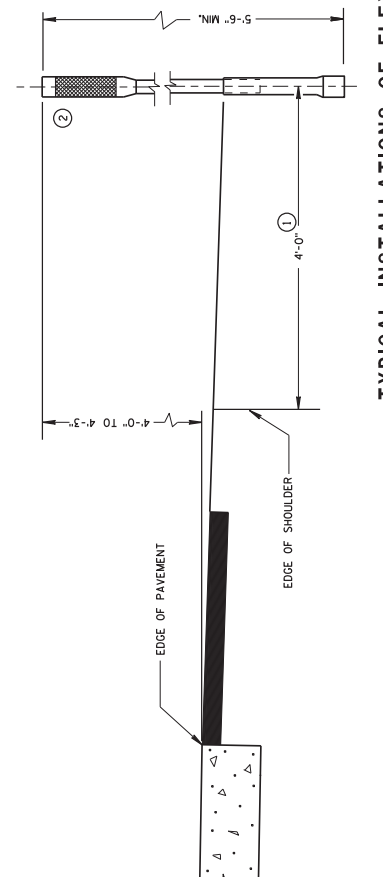
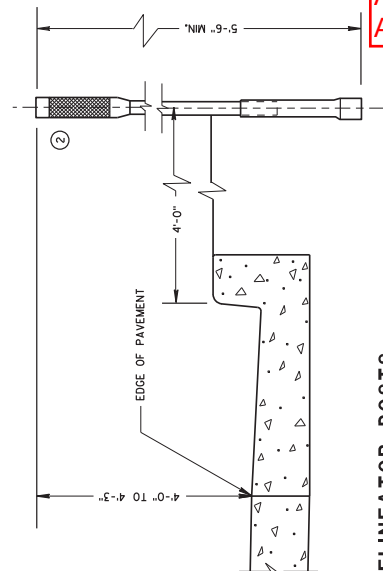
ALTERNATE 1  
ALTERNATE 2

ALTERNATE 3



6

6



<b>FLEXIBLE DELINEATOR POST</b>
STATE OF WISCONSIN DEPARTMENT OF TRANSPORTATION
APPROVED _____ DATE 9-26-2012 STATE TRAFFIC ENGINEER OF DESIGN P.W.H.A.

Addendum No. 4  
ID 1009-32-33  
Added Sheet 39A  
April 30, 2015

39A

TYPICAL INSTALLATIONS OF FLEXIBLE DELINEATOR POSTS

## SCHEDULE OF ITEMS

REVISED:

CONTRACT:  
20150512033PROJECT(S):  
1009-32-33FEDERAL ID(S):  
N/A

CONTRACTOR : \_\_\_\_\_

LINE NO	ITEM DESCRIPTION	APPROX. QUANTITY AND UNITS	UNIT PRICE		BID AMOUNT	
			DOLLARS	CTS	DOLLARS	CTS
0310	632.0101 Trees (species) (size) (root) 10. Ulmus Americana, Cg, 1" Cal.	124.000 EACH	.		.	
0320	632.9101 Landscape Planting Surveillance and Care Cycles	15.000 EACH	.		.	
0330	633.5200 Markers Culvert End	4.000 EACH	.		.	
0340	642.5201 Field Office Type C	1.000 EACH	.		.	
0350	645.0120 Geotextile Fabric Type HR	400.000 SY	.		.	
0360	650.6000 Construction Staking Pipe Culverts	4.000 EACH	.		.	
0370	650.9910 Construction Staking Supplemental Control (project) 01. 1009-32-33	LUMP	LUMP		.	
0390	SPV.0060 Special 02. Deep Marsh Root Stock/Seed	15,180.000 EACH	.		.	
0400	SPV.0060 Special 03. ANTI-SEEP COLLAR	2.000 EACH	.		.	
0410	SPV.0085 Special 01. Seeding Upland Buffer Mix	150.000 LB	.		.	

SCHEDULE OF ITEMS

REVISED:

CONTRACT:  
20150512033

PROJECT(S):  
1009-32-33

FEDERAL ID(S):  
N/A

CONTRACTOR : \_\_\_\_\_

LINE NO	ITEM DESCRIPTION	APPROX. QUANTITY AND UNITS	UNIT PRICE		BID AMOUNT	
			DOLLARS	CTS	DOLLARS	CTS
0420	SPV.0085 Special 02. Seeding Wet Meadow And Shallow Marsh Mix	175.000 LB	.		.	
0430	SPV.0105 Special 01. In Line Control Structure	LUMP	LUMP		.	
0440	SPV.0120 Special 01. Water For Seeded Areas	6,705.000 MGAL	.		.	
0450	SPV.0180 Special 01. Interlocking Concrete Block Revetment System	407.000 SY	.		.	
0460	633.0200 Delineators Flexible	32.000 EACH	.		.	
	SECTION 0001 TOTAL				.	
	TOTAL BID				.	