



Wisconsin Department of Transportation

April 4, 2016

Division of Transportation Systems Development

Bureau of Project Development
4802 Sheboygan Avenue, Rm 601
P O Box 7916
Madison, WI 53707-7916

Telephone: (608) 266-1631
Facsimile (FAX): (608) 266-8459

NOTICE TO ALL CONTRACTORS:

**Proposal #34: 9210-13-71, WISC 2016 125
Green Bay - Luxemburg
STH 54/57 Interchange - ECL
STH 54
Brown County**

Letting of April 12, 2016

This is Addendum No. 02, which provides for the following:

Schedule of Items

Added Bid Item Quantities					
Bid Item	Item Description	Unit	Old Quantity	Revised Quantity	Proposal Total
416.0610	Drilled Tie Bars	EACH	0	48	48
416.0620	Drilled Dowel Bars	EACH	0	308	308

Plan Sheets

Revised Plan Sheets	
Plan Sheet	Plan Sheet Title (brief description of changes to sheet)
8	Typical Section – Revised cross slope on 10 foot paved shoulder
14	Construction Detail – Removed detail for culvert replacement
77	Miscellaneous Quantities – Added bid items and tables

The responsibility for notifying potential subcontractors and suppliers of these changes remains with the prime contractor.

Sincerely,

Mike Coleman

Proposal Development Specialist
Proposal Management Section

ADDENDUM NO. 02

9210-13-71

April 4, 2016

Schedule of Items

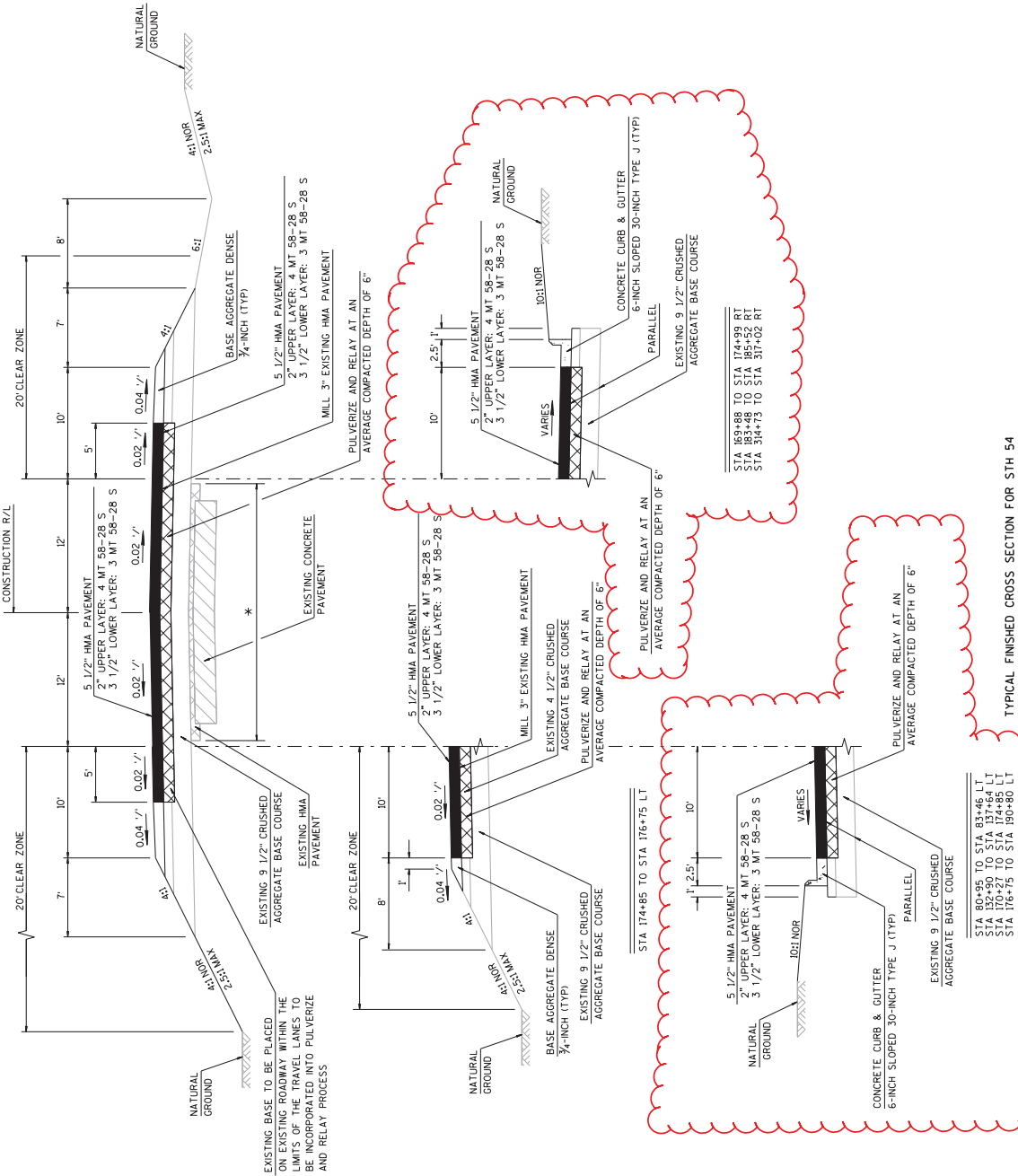
Attached, dated April 4, 2016, are the revised Schedule of Items Page 12.

Plan Sheets

The following 8½ x 11-inch sheets are attached and made part of the plans for this proposal:

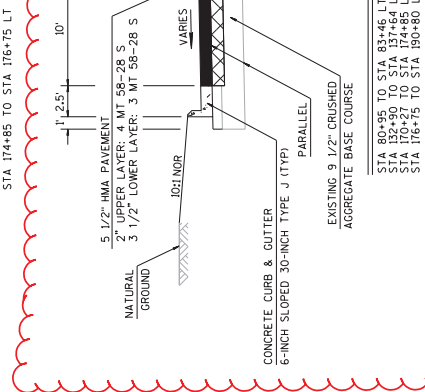
Revised: 8, 14, and 77

END OF ADDENDUM

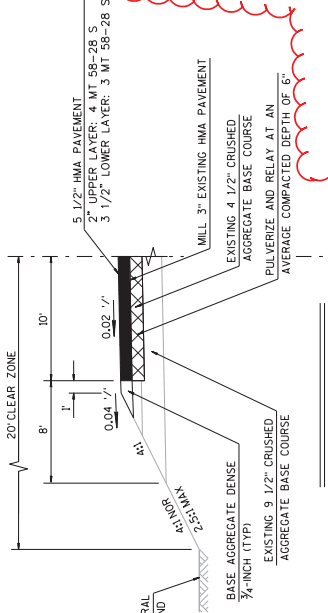


Addendum No. 02
 ID 9210-13-71
 Revised Sheet 8
 April 4, 2016

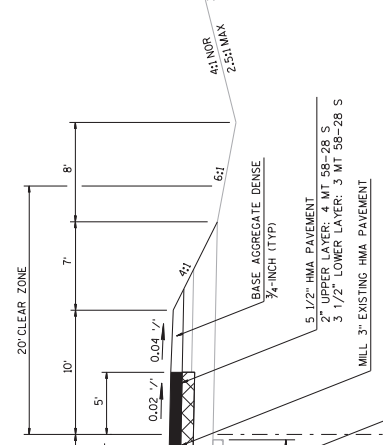
FILE NAME : F:\N3-921013\020302-16.DGN
 PLOT DATE : 28-MAR-2016 06:53
 PLOT BY : d00nzc
 PLOT NAME : 020302b.rvs
 PLOT SCALE : 10:1
 WISDOT/CADD SHEET 42



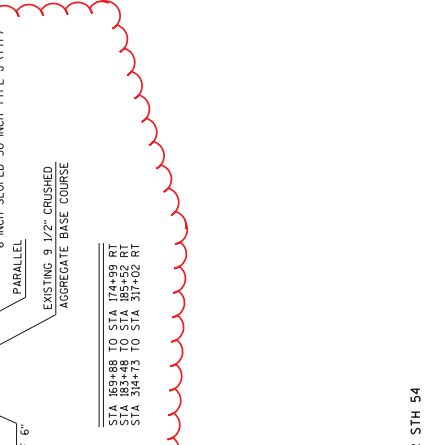
TYPICAL FINISHED CROSS SECTION FOR STA 174+85 TO STA 176+75 LT
 STA 174+85 TO STA 176+75 LT
 STA 176+75 TO STA 178+00 LT



TYPICAL FINISHED CROSS SECTION FOR STA 174+85 TO STA 176+75 LT
 STA 174+85 TO STA 176+75 LT
 STA 176+75 TO STA 178+00 LT



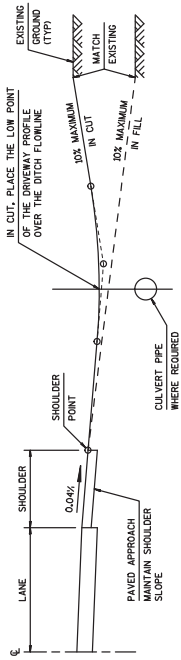
TYPICAL FINISHED CROSS SECTION FOR STA 174+85 TO STA 176+75 LT
 STA 174+85 TO STA 176+75 LT
 STA 176+75 TO STA 178+00 LT



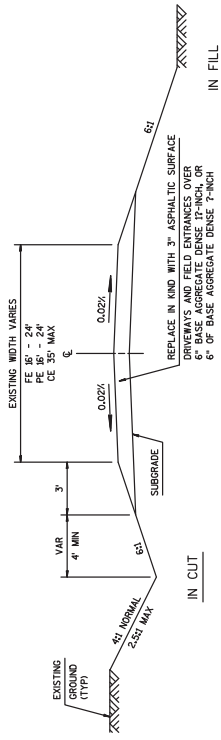
TYPICAL FINISHED CROSS SECTION FOR STA 174+85 TO STA 176+75 LT
 STA 174+85 TO STA 176+75 LT
 STA 176+75 TO STA 178+00 LT

TYPICAL FINISHED CROSS SECTION FOR STA 174+85 TO STA 176+75 LT
 STA 174+85 TO STA 176+75 LT
 STA 176+75 TO STA 178+00 LT

* STA 94+00 TO STA 94+00
 * STA 94+00 TO STA 96+00
 * STA 96+00 TO STA 317+75

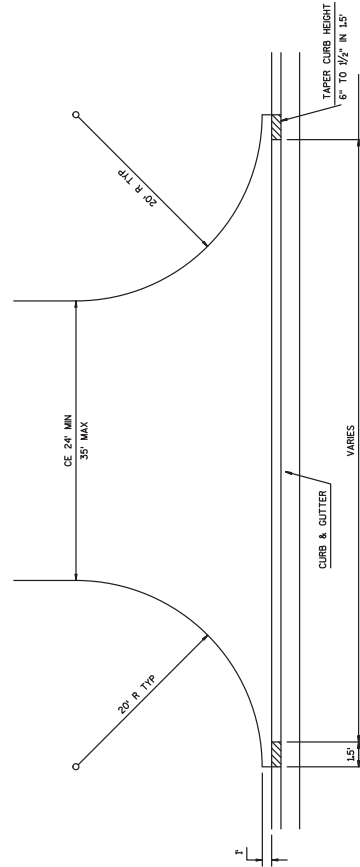


TYPICAL DRIVEWAY PROFILES



TYPICAL CROSS SECTION FOR PRIVATE DRIVE OR FIELD ENTRANCE

Addendum No. 02
ID 9210-13-71
Revised Sheet 14
April 4, 2016



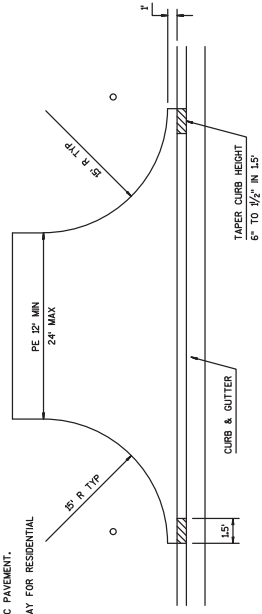
NOTE: NON-PAVED DRIVEWAYS SHALL CONSIST OF 6\"/>

RESIDENTIAL ENTRANCE ASPHALTIC DRIVEWAYS SHALL CONSIST OF 6\"/>

COMMERCIAL ENTRANCE ASPHALTIC DRIVEWAYS SHALL CONSIST OF 12\"/>

6\"/>

COMMERCIAL ENTRANCES



PRIVATE ENTRANCES

RURAL DRIVEWAYS WITH CURB & GUTTER

Addendum No. 02
ID 9210-13-71
Revised Sheet 77
April 4, 2016

CONCRETE TRUCK APRON

405.0100	416.0512	CONCRETE	TRUCK APRON
COLORING	CONCRETE	ROUNDABOUT	12-INCH
RED	CY		SY
STATION	TO	STATION	LOCATION
43+84	-	44+36	LT STH 54/STH 57 NE ON-RAMP
Stage 1 Total			
	19		56
TOTALS			
	19		56

PULVERIZE AND RELAY

STAGE 1	STATION	TO	STATION	LOCATION	SY	325.0100
	59+80	-	80+95	STH 54	7990	
	80+95	-	83+46	STH 54	1088	
	83+46	-	94+00	STH 54	3982	
	94+00	-	132+90	STH 54	14956	
	132+90	-	137+64	STH 54	2054	
	137+64	-	161+00	STH 54	8825	
	161+00	-	169+88	STH 54	3355	
	169+88	-	174+99	RT	1249	
	169+88	-	170+27	LT	74	
	170+27	-	174+85	LT	1120	
	174+85	-	176+75	LT	464	
	174+99	-	181+89	RT	1303	
	176+75	-	182+12	LT	1313	
Stage 1 Total						47773
STAGE 2						
	181+89	-	183+48	RT	300	
	182+12	-	183+43	LT	320	
Stage 2 Total						620
STAGE 3						
	183+43	-	190+80	LT	1802	
	183+48	-	185+52	RT	499	
	185+52	-	190+80	RT	997	
	190+80	-	314+73	STH 54	46818	
	314+73	-	317+02	STH 54	993	
	317+02	-	317+75	STH 54	276	
Stage 3 Total						51385
TOTAL						99778

CONCRETE PAVEMENT REPLACEMENT AND REPAIR

STAGE 1	STATION	TO	STATION	LOCATION	SY	416.1710	416.1720	416.0610
	14+40	-	14+59	STH 54/STH 57 SE OFF-RAMP	-	32	-	22
	16+33	-	16+82	STH 54/STH 57 SE OFF-RAMP	-	82	-	22
	16+92	-	17+26	STH 54/STH 57 SE OFF-RAMP	-	57	-	22
	17+51	-	17+70	STH 54/STH 57 SE OFF-RAMP	-	25	-	22
	18+10	-	18+59	STH 54/STH 57 SE OFF-RAMP	-	82	-	22
	18+70	-	18+89	STH 54/STH 57 SE OFF-RAMP	-	32	-	22
	19+15	-	19+35	STH 54/STH 57 SE OFF-RAMP	-	33	-	22
	19+91	-	20+10	STH 54/STH 57 SE OFF-RAMP	-	32	-	22
	20+46	-	20+73	STH 54/STH 57 SE OFF-RAMP	-	45	-	22
	21+56	-	22+37	STH 54/STH 57 SE OFF-RAMP	-	135	-	11
	17+67	-	17+73	WB STH 54/STH 57 SE OFF-RAMP	7	-	-	22
	18+98	-	19+04	WB STH 54/STH 57 SE OFF-RAMP	10	-	-	22
	18+99	-	19+11	EB STH 54/STH 57 SE OFF-RAMP	20	-	-	22
	19+70	-	19+76	EB STH 54/STH 57 SE OFF-RAMP	10	-	-	22
	43+79	-	44+36	LT STH 54/STH 57 NE ON-RAMP	-	-	-	37
Stage 1 Total						47	555	48
UNDISTRIBUTED						12	139	-
TOTALS						59	694	48
TOTALS						59	694	48

SCHEDULE OF ITEMS

REVISED:

CONTRACT:
20160412034PROJECT(S):
9210-13-71FEDERAL ID(S):
WISC 2016125

CONTRACTOR : _____

LINE NO	ITEM DESCRIPTION	APPROX. QUANTITY AND UNITS	UNIT PRICE		BID AMOUNT	
			DOLLARS	CTS	DOLLARS	CTS
1170	ASP.1T0A On-the-Job Training Apprentice at \$5.00/HR	2,000.000 HRS	5.00000		10000.00	
1180	ASP.1T0G On-the-Job Training Graduate at \$5. 00/HR	1,320.000 HRS	5.00000		6600.00	
1190	SPV.0060 Special 01. Adjusting Sanitary Manhole Covers	3.000 EACH	.		.	
1200	SPV.0090 Special 01. Concrete Curb & Gutter 6-Inch Sloped 36-Inch HES Type D	332.000 LF	.		.	
1210	SPV.0090 Special 02. Concrete Curb & Gutter 4-Inch Sloped 36-Inch HES Type R	95.000 LF	.		.	
1220	416.0610 Drilled Tie Bars	48.000 EACH	.		.	
1230	416.0620 Drilled Dowel Bars	308.000 EACH	.		.	
	SECTION 0001 TOTAL				.	
	TOTAL BID				.	