

Wisconsin Department of Transportation

November 9, 2017

Division of Transportation Systems Development

Bureau of Project Development
 4802 Sheboygan Avenue, Rm 601
 P O Box 7916
 Madison, WI 53707-7916

Telephone: (608) 266-1631
 Facsimile (FAX): (608) 266-8459

NOTICE TO ALL CONTRACTORS:

Proposal #26: 8510-01-71, WISC 2017 525
Port Wing - Superior
Engdahl Road to USH 2/USH 53
STH 13
Douglas County

8510-03-71
Port Wing - Superior
Miller Creek Bridge B-16-0053
STH 13
Douglas County

Letting of November 14, 2017

This is Addendum No. 01, which provides for the following:

Schedule of Items:

Revised Bid Item Quantities					
Bid Item	Item Description	Unit	Old Quantity	Revised Quantity	Proposal Total
646.0106	Pavement Marking Epoxy 4-Inch	LF	59,504	37,605	97,109
649.0402	Temporary Pavement Marking Paint 4-Inch	LF	123,092	-47,882	75,210
650.8000	Construction Staking Resurfacing Reference	LF	61,996	-30,634	31,362
SPV.0060.01	Cleaning Painting and Lubricating Bearings	EA	16	-8	8

Added Bid Item Quantities					
Bid Item	Item Description	Unit	Old Quantity	Revised Quantity	Proposal Total
204.0115	Removing Asphaltic Surface Butt Joints	SY	0	215	215

Plan Sheets:

Revised Plan Sheets	
Plan Sheet	Plan Sheet Title (brief description of changes to sheet)
27	Miscellaneous Quantity Sheet – Removing Asphaltic Surface Butt Joints Table Added.
32	Miscellaneous Quantity Sheet – Pavement Marking Table and Construction Staking Table revised to show corrected totals.
36	Miscellaneous Quantity Sheet – Pavement Marking Table revised to show corrected totals.
130	Structure Typical Sections Sheet – Estimate of Quantities Table revised to show corrected total for Cleaning Painting and Lubricating Bearings Item.

Schedule of Items

Attached, dated November 9, 2017, are the revised Schedule of Items Pages 6 – 8.

Plan Sheets

The following 8½ x 11-inch sheets are attached and made part of the plans for this proposal:

Revised: 27, 32, 36, and 130

The responsibility for notifying potential subcontractors and suppliers of these changes remains with the prime contractor.

Sincerely,

Mike Coleman

Proposal Development Specialist
Proposal Management Section

END OF ADDENDUM

REMOVING SMALL PIPE CULVERTS

STATION	LOCATION	EACH	REMARKS
STH 13			
111+57	RT	1	REMOVE 3' EXISTING CMP & AEW
149+61	RT	1	REMOVE 4' EXISTING CMP & AEW
189+86	LT	1	REMOVE 4' EXISTING CMP & AEW
635+50	RT	1	REMOVE 6' EXISTING CMP & AEW
630+13	RT	2	REMOVE 16' EXISTING CMP & BOTH AEW
ITEM TOTAL		7	

REMOVING ASPHALTIC SURFACE

STATION	LOCATION	LS	REMARKS
STH 13			
635+45	LT	1	REMOVE EXISTING 60-INCH AEW
ITEM TOTAL		1	

REMOVING OLD STRUCTURE (635+45)

STATION	LOCATION	LS	REMARKS
STH 13			
635+45	LT	1	REMOVE EXISTING 60-INCH AEW
ITEM TOTAL		1	

REMOVING ASPHALTIC SURFACE

STATION	LOCATION	LS	REMARKS
STH 13			
525+89.27	RT	6	C&G REPLACEMENT AREA
545+96.83	RT	5	C&G REPLACEMENT AREA
546+75.37	RT	16	C&G REPLACEMENT AREA
563+86.45	RT	6	C&G REPLACEMENT AREA
620+32.88	RT	7	C&G REPLACEMENT AREA
ITEM TOTAL		47	

REMOVING ASPHALTIC SURFACE BUTT JOINTS

STATION	LOCATION	SY	REMARKS
STH 13 INTERSECTIONS			
USH 53 EXISTING RAMP		34	10' LENGTH AT SIDEROAD WILL LIMITS
USH 53 EXT RAMP		50	10' LENGTH AT SIDEROAD WILL LIMITS
CTH UU		28	10' LENGTH AT SIDEROAD WILL LIMITS
CTH U		26	10' LENGTH AT SIDEROAD WILL LIMITS
OLD HWY 13		25	10' LENGTH AT SIDEROAD WILL LIMITS
RIVER RD		26	10' LENGTH AT SIDEROAD WILL LIMITS
HANSON RD		26	10' LENGTH AT SIDEROAD WILL LIMITS
ITEM TOTAL		216	

REMOVING ASPHALTIC SURFACE BUTT JOINTS

STATION	LOCATION	SY	REMARKS
STH 13			
525+89.27	RT	25	10' LENGTH AT SIDEROAD WILL LIMITS
549+43.88	LT	18	10' LENGTH AT SIDEROAD WILL LIMITS
549+43.82	RT	19	10' LENGTH AT SIDEROAD WILL LIMITS
551+73.05	RT	80	10' LENGTH AT SIDEROAD WILL LIMITS
551+75.36	LT	80	10' LENGTH AT SIDEROAD WILL LIMITS
ITEM TOTAL		324	

REMOVING ASPHALTIC SURFACE BUTT JOINTS

STATION	LOCATION	LF	REMARKS
STH 13			
525+89.27	RT	82	10' LENGTH AT SIDEROAD WILL LIMITS
549+43.88	LT	82	10' LENGTH AT SIDEROAD WILL LIMITS
549+43.82	RT	82	10' LENGTH AT SIDEROAD WILL LIMITS
551+73.05	RT	80	10' LENGTH AT SIDEROAD WILL LIMITS
551+75.36	LT	80	10' LENGTH AT SIDEROAD WILL LIMITS
ITEM TOTAL		324	

REMOVING ASPHALTIC SURFACE BUTT JOINTS

STATION	LOCATION	LF	REMARKS
STH 13			
525+89.27	RT	82	10' LENGTH AT SIDEROAD WILL LIMITS
549+43.88	LT	82	10' LENGTH AT SIDEROAD WILL LIMITS
549+43.82	RT	82	10' LENGTH AT SIDEROAD WILL LIMITS
551+73.05	RT	80	10' LENGTH AT SIDEROAD WILL LIMITS
551+75.36	LT	80	10' LENGTH AT SIDEROAD WILL LIMITS
ITEM TOTAL		324	

REMOVING ASPHALTIC SURFACE BUTT JOINTS

STATION	LOCATION	LF	REMARKS
STH 13			
525+89.27	RT	82	10' LENGTH AT SIDEROAD WILL LIMITS
549+43.88	LT	82	10' LENGTH AT SIDEROAD WILL LIMITS
549+43.82	RT	82	10' LENGTH AT SIDEROAD WILL LIMITS
551+73.05	RT	80	10' LENGTH AT SIDEROAD WILL LIMITS
551+75.36	LT	80	10' LENGTH AT SIDEROAD WILL LIMITS
ITEM TOTAL		324	

REMOVING ASPHALTIC SURFACE BUTT JOINTS

STATION	LOCATION	STA	REMARKS
STH 13			
25+19.19	LT & RT	90	SHOULDER SHAPING MATERIAL
25+19.19	LT & RT	90	SHOULDER SHAPING MATERIAL
115+00	LT & RT	90	SHOULDER SHAPING MATERIAL
160+00	LT & RT	90	SHOULDER SHAPING MATERIAL
204+16.77	LT & RT	68	SHOULDER SHAPING MATERIAL
551+61.08	LT & RT	40	SHOULDER SHAPING MATERIAL
571+00	LT & RT	28	SHOULDER SHAPING MATERIAL
631+80.88	LT & RT	108	SHOULDER SHAPING MATERIAL
ITEM TOTAL		604	

REMOVING ASPHALTIC SURFACE BUTT JOINTS

STATION	LOCATION	STA	REMARKS
STH 13			
25+19.19	LT & RT	90	SHOULDER SHAPING MATERIAL
25+19.19	LT & RT	90	SHOULDER SHAPING MATERIAL
115+00	LT & RT	90	SHOULDER SHAPING MATERIAL
160+00	LT & RT	90	SHOULDER SHAPING MATERIAL
204+16.77	LT & RT	68	SHOULDER SHAPING MATERIAL
551+61.08	LT & RT	40	SHOULDER SHAPING MATERIAL
571+00	LT & RT	28	SHOULDER SHAPING MATERIAL
631+80.88	LT & RT	108	SHOULDER SHAPING MATERIAL
ITEM TOTAL		604	

REMOVING ASPHALTIC SURFACE BUTT JOINTS

STATION	LOCATION	STA	REMARKS
STH 13			
25+19.19	LT & RT	90	SHOULDER SHAPING MATERIAL
25+19.19	LT & RT	90	SHOULDER SHAPING MATERIAL
115+00	LT & RT	90	SHOULDER SHAPING MATERIAL
160+00	LT & RT	90	SHOULDER SHAPING MATERIAL
204+16.77	LT & RT	68	SHOULDER SHAPING MATERIAL
551+61.08	LT & RT	40	SHOULDER SHAPING MATERIAL
571+00	LT & RT	28	SHOULDER SHAPING MATERIAL
631+80.88	LT & RT	108	SHOULDER SHAPING MATERIAL
ITEM TOTAL		604	

Addendum No. 01
ID 8510-01-71
Revised Sheet 27
November 9, 2017

DRILLED TIE BARS

STATION	LOCATION	416 (6x10) EACH
STH 13		
525+89.27	RT	2
532+95.07	LT	2
546+14.50	RT	2
563+86.45	RT	2
620+32.88	RT	2
ITEM TOTAL		10

PREPARE FOUNDATION FOR ASPHALTIC PAVING (6510-01-71)

STATION	LOCATION	LS	REMARKS
STH 13			
25+19.19	LT & RT	1	PREPARE FOUNDATION FOR ASPHALTIC PAVING
ITEM TOTAL		1	

BASE COURSE ITEMS

STATION	LOCATION	TON	REMARKS
STH 13			
25+19.19	LT & RT	2182	SHOULDER SHAPING MATERIAL
631+80.88	LT & RT	96	SHOULDER SHAPING MATERIAL
525+89.27	RT	5	C&G REPLACEMENT AREA
545+96.83	RT	4	C&G REPLACEMENT AREA
546+75.37	RT	12	C&G REPLACEMENT AREA
563+86.45	RT	40	C&G REPLACEMENT AREA
620+32.88	RT	32	C&G REPLACEMENT AREA
551+61.08	LT	26	C&G REPLACEMENT AREA
571+00	LT	24	C&G REPLACEMENT AREA
631+80.88	RT	5	C&G REPLACEMENT AREA
ITEM TOTAL		2437	

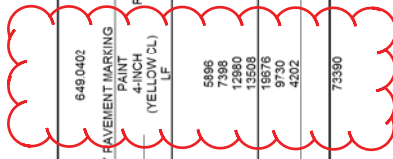
HMA PAVEMENT ITEMS

STATION	LOCATION	GAL	TON	REMARKS
STH 13				
25+19.19	LT & RT	2388	2452	HMA PAVEMENT
70+00	LT & RT	2094	2150	HMA PAVEMENT
115+00	LT & RT	2095	2140	HMA PAVEMENT
160+00	LT & RT	1784	1832	HMA PAVEMENT
204+16.77	LT & RT	1102	1132	HMA PAVEMENT
551+61.08	LT & RT	2629	2699	HMA PAVEMENT
571+00	LT & RT	645	662	HMA PAVEMENT
631+80.88	LT & RT	15001	15402	HMA PAVEMENT
ITEM TOTAL		455,0605	460,6245	

NOTE: ALL ITEMS AND QUANTITIES ON THIS SHEET ARE FOR ENGINEER ESTIMATE CATEGORY 0010 UNLESS OTHERWISE NOTED.

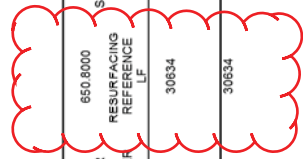
PAVEMENT MARKING ITEMS

STATION- STATION	LOCATION	648.0106	648.0128	646.0406	647.0576	646.0600	648.0100	649.0400	649.0402	649.1400
STH 13										
25+19.19 - 70+00	LT & RT	8602	2948	2948	50		0.85			
70+00 - 115+00	LT & RT	9000	3699	3699			0.86			
115+00 - 150+00	LT & RT	8000	6490	6490			0.86			
150+00 - 204+16.77 B.K./5.19+40 A.H.	LT & RT	8354	6754	6754			0.84			
204+16.77 B.K./5.16+40 A.H. - 571+00	LT & RT	10080	9838	9838	300		1.04			34
571+00 - 624+53.42	LT & RT	10347	4865	4865			1.02			
624+53.42 - 645+13.66	LT & RT	2686	2101	2101			0.26			
645+13.66 - 650+00	LT & RT	59049	36695	36695						
SUBTOTAL										
ITEM TOTAL		84744	140	36695	50	300	5.73	4250	73390	34



CONSTRUCTION STAKING

STATION - STATION	LOCATION	650.4500	650.5000	650.5500	650.8000	650.9910.01	650.9920
STH 13							
525+65.68 - 550+29	LT & RT	275	189	189	30634	1	544
547+65 - 550+29	LT & RT	275	189	189	30634	1	544
551+60 - 553+98	LT & RT	238	189	189	30634	1	544
ITEM TOTAL		513	513	189	30634	1	544



SAVING CONCRETE

STATION - STATION	LOCATION	690.0250
STH 13		
525+65.68 - 528+10.83	RT	3
528+10.83 - 545+16.91	LT	3
545+16.91 - 548+16.91	RT	3
548+16.91 - 550+28.46	LT	3
550+28.46 - 553+81.19	RT	3
553+81.19 - 555+48.05	LT	3
555+48.05 - 563+84.27	RT	3
563+84.27 - 564+06.40	LT	3
564+06.40 - 565+56.52	RT	3
ITEM TOTAL		15

SAWING ASPHALT

STATION - STATION	LOCATION	690.0150	REMARKS
STH 13			
525+65.68 - 528+10.83	RT	31	C & G REPLACEMENT AREA
528+10.83 - 545+16.91	LT	24	C & G REPLACEMENT AREA
545+16.91 - 548+16.91	RT	24	C & G REPLACEMENT AREA
548+16.91 - 550+28.46	LT	375	C & G AND GUARDRAIL REPLACEMENT AREA
550+28.46 - 553+81.19	RT	278	GUARDRAIL REPLACEMENT AREA
553+81.19 - 555+48.05	LT	231	GUARDRAIL REPLACEMENT AREA
555+48.05 - 563+84.27	RT	174	GUARDRAIL REPLACEMENT AREA
563+84.27 - 564+06.40	LT	28	C & G REPLACEMENT AREA
564+06.40 - 565+56.52	RT	36	C & G REPLACEMENT AREA
ITEM TOTAL		1210	

DITCH CLEANING

STATION	LOCATION	SPV/0090.02
STH 13		
70+01	RT	50
175+95	LT & RT	100
180+84	RT	50
532+70	LT	100
573+17	RT	50
ITEM TOTAL		400

Addendum No. 01
ID 8510-01-71
Revised Sheet 32
November 9, 2017

NOTE: ALL ITEMS AND QUANTITIES ON THIS SHEET ARE FOR ENGINEER ESTIMATE CATEGORY 0010 UNLESS OTHERWISE NOTED.

PAVEMENT MARKING ITEMS

STATION - STATION	LOCATION	646.0106 PAVEMENT MARKING EPOXY 4-INCH (WHITE) (YELLOW)	646.0406 SAME DAY EPOXY 4-INCH (YELLOW CL)	646.0600 REMOVING PAVEMENT MARKINGS	648.0100 LOCATING NO-PASSING ZONES	649.0400 REMOVABLE TAPE 4-INCH (YELLOW CL)	649.0402 TEMPORARY PAVEMENT MARKING PAINT 4-INCH (WHITE)	649.1400 STOP LINE REMOVABLE TAPE 24-INCH
LF	LF	LF	LF	LF	MILES	LF	LF	LF
STH 13 624+53.42 - 631+80.88	LT & RT	1455	910	300	0.14	1400	1820	34
		1455	910	300	0.14	1400	1820	34
SUBTOTAL		2365	910	300	0.14	4250	1820	34
ITEM TOTAL								

CONSTRUCTION STAKING

STATION - STATION	LOCATION	650.4500 SUBGRADE	650.5000 BASE	650.6500 STRUCTURE LAYOUT	650.8000 RESURFACING REFERENCE	650.9910.02 SUPPLEMENTAL CONTROL (8510-00-71)	650.9920 SLOPE STAKES
LF	LF	LF	LF	LS	LF	LS	LF
CATEGORY 0010	LT & RT	303	303		728	1	613
STH 13 624+53 - 627+56	LT & RT	280	280				
	LT & RT	280	280				
CATEGORY 0010 SUBTOTALS		583	583	0	728	1	613
CATEGORY 0020	LT & RT			1			
B-16-0655	LT & RT			1			
CATEGORY 0020 SUBTOTALS		0	0	1	0	0	0
ITEM TOTAL		583	583	1	728	1	613

SAWING ASPHALT

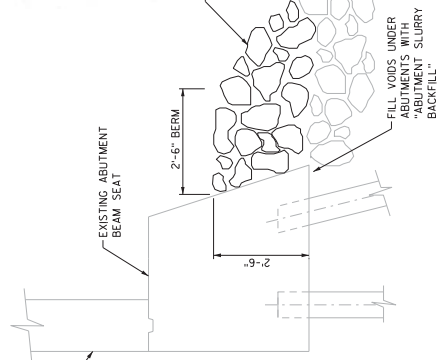
STATION - STATION	LOCATION	690.0150	REMARKS
LF	LF	LF	
STH 13 625+23.79 - 627+33.04	RT	214	GUARDRAIL REPLACEMENT AREA
625+62.20 - 627+33.04	LT	175	GUARDRAIL REPLACEMENT AREA
627+30.04	LT & RT	28	APPROACH SLAB REPLACEMENT AREA
629+29.02 - 630+90.63	LT	167	GUARDRAIL REPLACEMENT AREA
629+29.02 - 631+30.52	RT	206	GUARDRAIL REPLACEMENT AREA
629+32.02	LT & RT	29	APPROACH SLAB REPLACEMENT AREA
ITEM TOTAL		819	

Addendum No. 01
ID 8510-01-71
Revised Sheet 36
November 9, 2017

NOTE: ALL ITEMS AND QUANTITIES ON THIS SHEET ARE FOR ENGINEER ESTIMATE CATEGORY 0010 UNLESS OTHERWISE NOTED.

TOTAL ESTIMATE OF QUANTITIES

BID NO.	BID ITEMS	UNIT	WEST ABUT	EAST ABUT	TOTAL
203.0600	REMOVING OLD STRUCTURE OVER WATERWAY WITH MINIMAL DEBRIS STATION 627+60	LS	---	---	---
203.0610	EXCAVATION FOR STRUCTURES BRIDGES B-16-53	TON	---	---	---
203.1000	BACKFILL STRUCTURE TYPE 1	LS	---	---	---
502.0100	CONCRETE MASONRY BRIDGES	CY	153	29	182
502.3100	EXPANSION DEVICE B-16-53	LS	1	---	1
502.3200	PROTECTIVE SURFACE TREATMENT	SY	698	45	743
502.4206	ADHESIVE ANCHORS NO.6 BAR	EACH	---	74	74
505.0600	BAR STEEL REINFORCEMENT HS COATED STRUCTURES	LB	36502	3675	40177
505.0904	BAR COUPLERS NO. 4	EACH	8	6	14
505.0905	BAR COUPLERS NO. 5	EACH	488	6	494
505.1500	CONCRETE SURFACE REPAIR	EA	10	---	10
511.200	TEMPORARY SHORING B-16-53	SF	---	47	47
513.4061	RAILING TUBULAR TYPE M B-16-53	LF	282	41	323
516.0500	RUBBERIZED MEMBRANE WATERPROOFING	SF	---	23	23
517.3003	STRUCTURE OVERCOATING	LS	1	---	1
517.3005	STRUCTURE OVERCOATING AND PRIMING B-16-53	LS	---	---	---
606.0203	RRIPRAP MEDIUM	CY	---	24	24
612.0406	PIPE UNDERDRAIN WRAPPED 6-INCH	LF	120	120	240
SPV.0025	10. ABUTMENT UNDERCUT SLURRY BACKFILL	CF	---	75	75
SPV.0060	OL CLEANING PAINTING AND LUBRICATING BEARINGS	EACH	---	4	4
	NON-BID ITEMS				
	JOINT FILLER 1/2"				
	JOINT SEALER				
	NAME PLATE				



SECTION THROUGH ABUTMENT
(SLOPE REPAIR DETAILS)

CLEAN AND PAINT END 6 FT OF ORDERS AND END CROSS FRAME AT BOTH ABUTMENTS. TOP COAT COLOR SHALL BE FEDERAL COLOR NO. 60095.

CLEAN AND PAINT BEARINGS AT BOTH ABUTMENTS. RE-LUBRICATE EXPANSION BEARINGS AT WEST ABUTMENT.

NO.	DATE	REVISION	QUANTITY	REVISION	W/JZ	BY
1	11/8/17					

DEPARTMENT OF TRANSPORTATION

STRUCTURE B-16-53

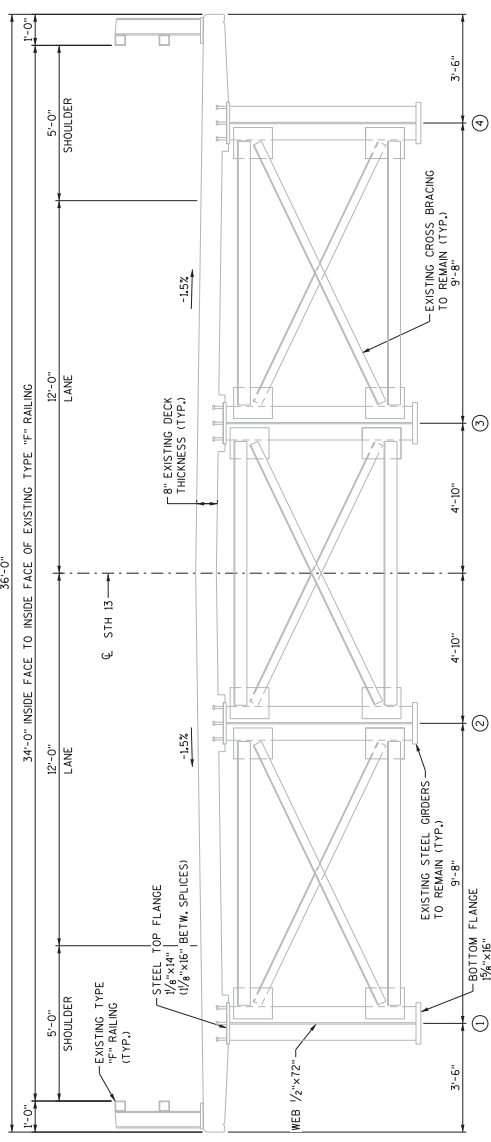
DESIGNED BY: WJM
PLANS CHECKED: W/JZ

TYPICAL SECTIONS SHEET 2 OF 9

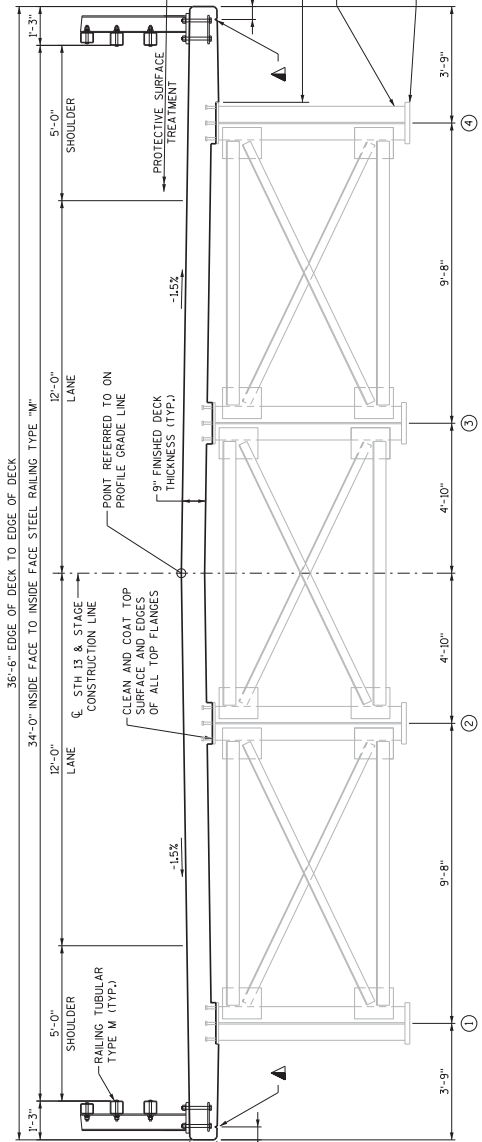
130

William C. DeLuca
11/08/17

Addendum No. 01
ID 8510-03-71
Revised Sheet 130
November 9, 2017



EXISTING TYPICAL SECTION
(LOOKING EAST)



FINISHED TYPICAL SECTION
(LOOKING EAST)

▲ EXTEND 3/4" DRIP GROOVE TO END OF DECK (TYP.)



Proposal Schedule of Items

Proposal ID: 20171114026 Project(s): 8510-01-71, 8510-03-71

Federal ID(s): WISC 2017525, N/A

SECTION: 0001

Contract Items

Alt Set ID:

Alt Mbr ID:

Proposal Line Number	Item ID Description	Approximate Quantity and Units	Unit Price	Bid Amount
0156	642.5001 Field Office Type B	1.000 EACH	_____.	_____.
0158	643.0100 Traffic Control (project) 01. 8510-01-71	1.000 EACH	_____.	_____.
0160	643.0100 Traffic Control (project) 02. 8510-03-71	1.000 EACH	_____.	_____.
0162	643.0300 Traffic Control Drums	2,700.000 DAY	_____.	_____.
0164	643.0420 Traffic Control Barricades Type III	90.000 DAY	_____.	_____.
0166	643.0715 Traffic Control Warning Lights Type C	1,080.000 DAY	_____.	_____.
0168	643.0900 Traffic Control Signs	5,010.000 DAY	_____.	_____.
0170	645.0120 Geotextile Type HR	86.000 SY	_____.	_____.
0172	646.0106 Pavement Marking Epoxy 4-Inch	97,109.000 LF	_____.	_____.
0174	646.0126 Pavement Marking Epoxy 8-Inch	140.000 LF	_____.	_____.
0176	646.0406 Pavement Marking Same Day Epoxy 4-Inch	37,605.000 LF	_____.	_____.
0178	646.0600 Removing Pavement Markings	600.000 LF	_____.	_____.
0180	647.0576 Pavement Marking Stop Line Epoxy 24-Inch	50.000 LF	_____.	_____.
0182	648.0100 Locating No-Passing Zones	5.870 MI	_____.	_____.
0184	649.0400 Temporary Pavement Marking Removable Tape 4-Inch	8,500.000 LF	_____.	_____.
0186	649.0402 Temporary Pavement Marking Paint 4-Inch	75,210.000 LF	_____.	_____.



Proposal Schedule of Items

Proposal ID: 20171114026 Project(s): 8510-01-71, 8510-03-71

Federal ID(s): WISC 2017525, N/A

SECTION: 0001

Contract Items

Alt Set ID:

Alt Mbr ID:

Proposal Line Number	Item ID Description	Approximate Quantity and Units	Unit Price	Bid Amount
0188	649.1400 Temporary Pavement Marking Stop Line Removable Tape 24-Inch	68.000 LF	_____.	_____.
0190	650.4500 Construction Staking Subgrade	1,096.000 LF	_____.	_____.
0192	650.5000 Construction Staking Base	1,096.000 LF	_____.	_____.
0194	650.5500 Construction Staking Curb Gutter and Curb & Gutter	189.000 LF	_____.	_____.
0196	650.6500 Construction Staking Structure Layout (structure) 01. B-16-053	LS	LUMP SUM	_____.
0198	650.8000 Construction Staking Resurfacing Reference	31,362.000 LF	_____.	_____.
0200	650.9910 Construction Staking Supplemental Control (project) 01. 8510-01-71	LS	LUMP SUM	_____.
0202	650.9910 Construction Staking Supplemental Control (project) 02. 8510-03-71	LS	LUMP SUM	_____.
0204	650.9920 Construction Staking Slope Stakes	1,157.000 LF	_____.	_____.
0206	661.0100 Temporary Traffic Signals for Bridges (structure) 01. B-16-052	LS	LUMP SUM	_____.
0208	661.0100 Temporary Traffic Signals for Bridges (structure) 02. B-16-53	LS	LUMP SUM	_____.
0210	690.0150 Sawing Asphalt	2,029.000 LF	_____.	_____.
0212	690.0250 Sawing Concrete	15.000 LF	_____.	_____.
0214	715.0415 Incentive Strength Concrete Pavement	500.000 DOL	1.00000	500.00
0216	715.0502 Incentive Strength Concrete Structures	1,266.000 DOL	1.00000	1,266.00



Proposal Schedule of Items

Proposal ID: 20171114026 Project(s): 8510-01-71, 8510-03-71

Federal ID(s): WISC 2017525, N/A

SECTION: 0001

Contract Items

Alt Set ID:

Alt Mbr ID:

Proposal Line Number	Item ID Description	Approximate Quantity and Units	Unit Price	Bid Amount
0218	ASP.1T0A On-the-Job Training Apprentice at \$5.00/HR	2,000.000 HRS	5.00000	10,000.00
0220	ASP.1T0G On-the-Job Training Graduate at \$5.00/HR	630.000 HRS	5.00000	3,150.00
0222	SPV.0025 Special 10. Abutment Undercut Slurry Backfill	100.000 CF	_____.	_____.
0224	SPV.0060 Special 01. Cleaning Painting And Lubricating Bearings	8.000 EACH	_____.	_____.
0226	SPV.0090 Special 01. Sawing Pavement Deck Preperation Areas	112.000 LF	_____.	_____.
0228	SPV.0090 Special 02. Ditch Cleaning	400.000 LF	_____.	_____.
0230	SPV.0180 Special 01. Fast Set Deck Patching	6.000 SY	_____.	_____.
0232	204.0115 Removing Asphaltic Surface Butt Joints	215.000 SY	_____.	_____.
Section: 0001			Total:	_____.
			Total Bid:	_____.

