



Wisconsin Department of Transportation

January 2, 2018

Division of Transportation Systems Development

Bureau of Project Development
4802 Sheboygan Avenue, Rm 601
P O Box 7916
Madison, WI 53707-7916

Telephone: (608) 266-1631
Facsimile (FAX): (608) 266-8459

NOTICE TO ALL CONTRACTORS:

Proposal #01: 1007-11-71, WISC 2018 030
Illinois State Line – Madison
E Church Rd to Church St-NB
IH 39
Dane County

1007-11-76, WISC 2018 031
Illinois State Line – Madison
Church Street to CTH AB-NB
IH 39
Dane County

Letting of January 9, 2018

This is Addendum No. 02, which provides for the following:

Special Provisions:

Deleted Special Provisions	
Article No.	Description
44	Salvaged Topsoil

Schedule of Items:

Added Bid Item Quantities					
Bid Item	Item Description	Unit	Old Quantity	Revised Quantity	Proposal Total
654.1150	Concrete Bases Camera Pole 50-FT	EACH	0	2	2

Deleted Bid Item Quantities					
Bid Item	Item Description	Unit	Old Quantity	Revised Quantity	Proposal Total
672.0250	Base Camera Pole 50-FT	EACH	2	-2	0

Plan Sheets:

Revised Plan Sheets – 1007-11-71	
Plan Sheet	Plan Sheet Title (brief description of changes to sheet)
125-126	ITS Plans Construction Detail (revised detail name)
227	Miscellaneous Quantities (revised item schedule)

The responsibility for notifying potential subcontractors and suppliers of these changes remains with the prime contractor.

Sincerely,

Mike Coleman

Proposal Development Specialist
Proposal Management Section

ADDENDUM NO. 02
1007-11-71/1007-11-76
January 2, 2018

Special Provisions

44. DELETED.

Schedule of Items

Attached, dated January 2, 2018, are the revised Schedule of Items Pages 18 – 23.

Plan Sheets

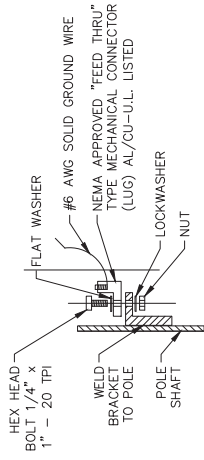
The following 8½ x 11-inch sheets are attached and made part of the plans for this proposal:

1007-11-71

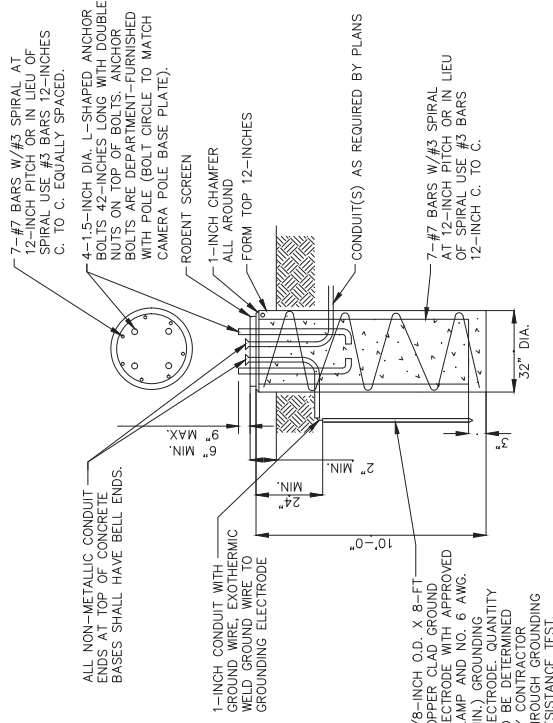
Revised: 125, 126, and 227.

END OF ADDENDUM

NOT TO SCALE



FIELD INSTALLED GROUNDING LUG



NOTES

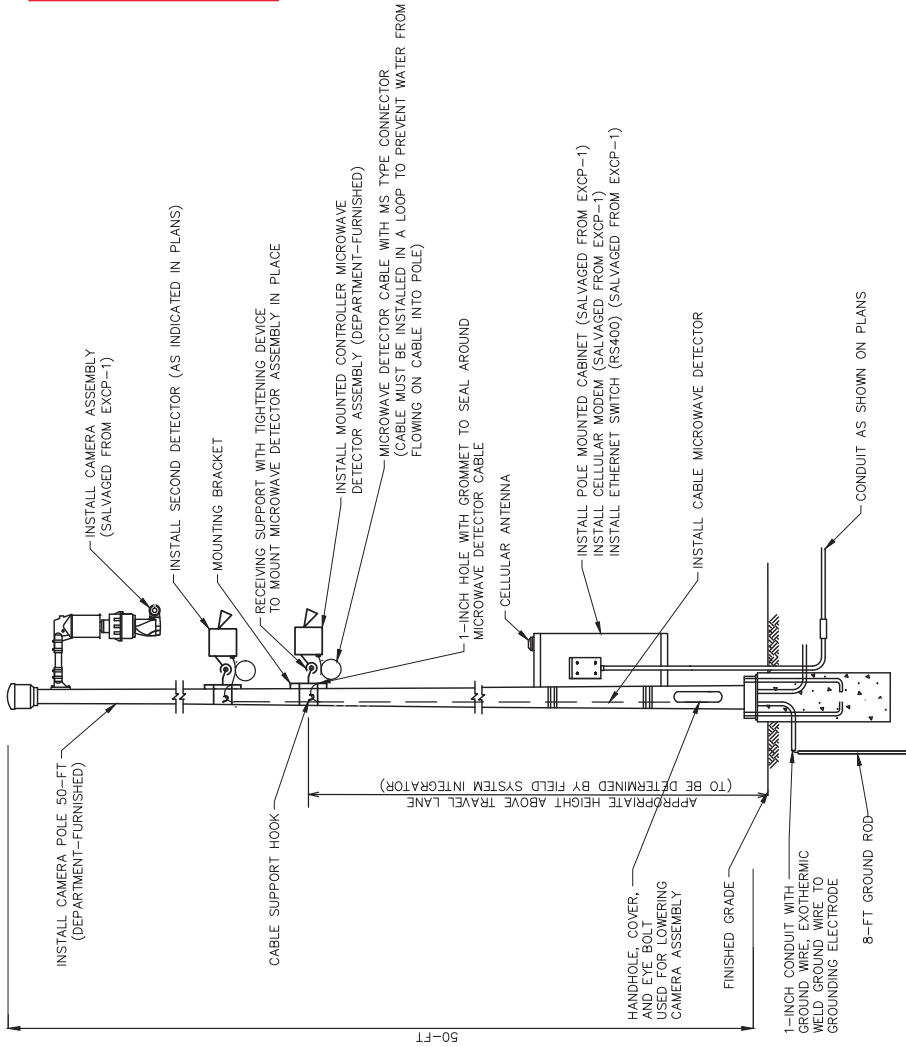
- ALL HARDWARE AND FASTENERS SHALL BE STAINLESS STEEL.
- POLE DRAWINGS SHOWN FOR BIDDING INFORMATION PURPOSES ONLY. POLES AND ANCHOR BOLTS WILL BE DEPARTMENT-FURNISHED.
- CONTRACTOR SHALL CONFIRM BOLT PATTERN OF CAMERA POLE PRIOR TO CONSTRUCTION OF CONCRETE BASE.
- CONTRACTOR SHALL INSTALL GROUNDING LUG AS SHOWN.

MATERIALS DATA

CONCRETE $f_c = 3,500$ psi
HIGH STRENGTH BAR $f_y = 60,000$ psi
STEEL REINFORCEMENT

CONCRETE BASES CAMERA POLE 50-FT

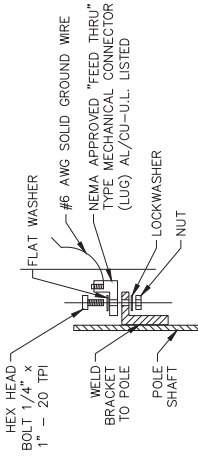
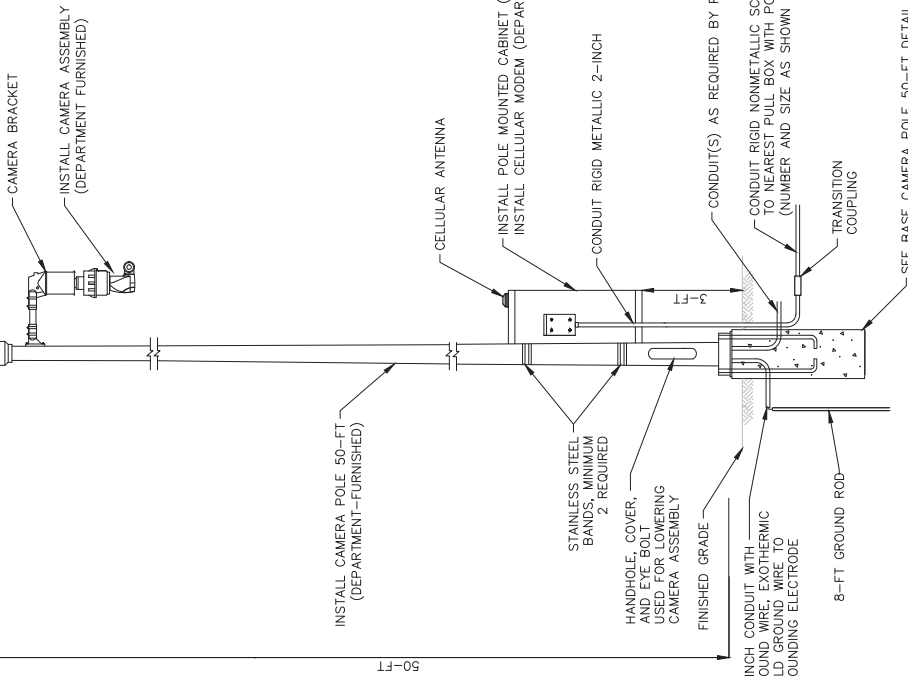
Addendum No. 02
ID 1007-11-71
Revised Sheet 125
January 2, 2018



CAMERA & POLE MOUNTED CABINET MOUNTING

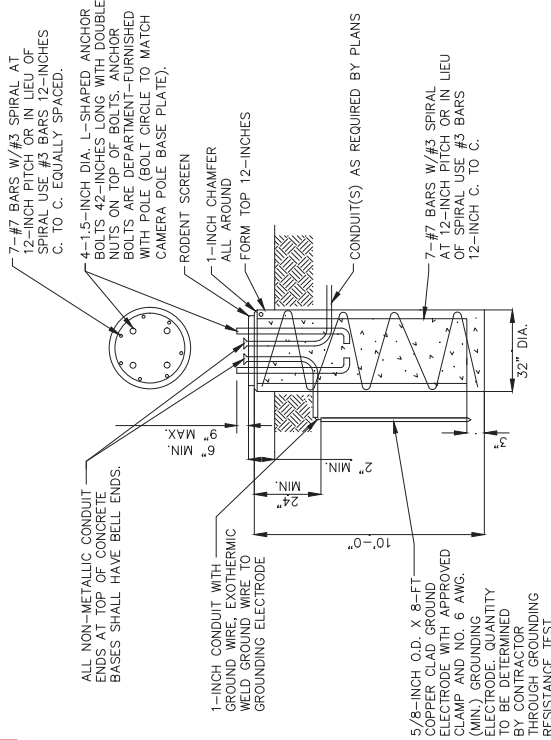
CCTV-13-0101 & SDS-13-0133 - 1-39/90 SOUTH OF CTH B

NOT TO SCALE



Addendum No. 02
 ID 1007-11-71
 Revised Sheet 126
 January 2, 2018

FIELD INSTALLED GROUNDING LUG



MATERIALS DATA

CONCRETE $f_c = 3,500$ psi
 HIGH STRENGTH BAR $f_y = 60,000$ psi
 STEEL REINFORCEMENT

CONCRETE BASES CAMERA POLE 50-FT

NOTES

- ALL HARDWARE AND FASTENERS SHALL BE STAINLESS STEEL.
- POLE DRAWINGS SHOWN FOR BIDDING INFORMATION PURPOSES ONLY. POLES AND ANCHOR BOLTS WILL BE DEPARTMENT-FURNISHED.
- CONTRACTOR SHALL CONFIRM BOLT PATTERN OF CAMERA POLE PRIOR TO CONSTRUCTION OF CONCRETE BASE.
- CONTRACTOR SHALL INSTALL GROUNDING LUG AS SHOWN.

ITS DEVICES & COMMUNICATION ITEMS

ITEM ID	EQUIPMENT CODE	STATION	OFFSET	654.0105 CONCRETE BASES TYPES	654.1150 CONCRETE BASES CAMERA POLE 50-FT EACH	657.0255 TRANSFORMER BASES BREAKAWAY 11 1/2-INCH BOLT CIRCLE EACH	657.0322 POLES MOUNTED ALUMINUM CABINET EACH	673.0225.S INSTALL POLE	675.0300 INSTALL MOUNTED CONTROLLER MICROWAVE DETECTOR ASSEMBLY EACH	677.0150 INSTALL 50-FT EACH	677.0200 INSTALL CAMERA ASSEMBLY EACH	678.0600 INSTALL ETHERNET SWITCHES EACH	678.0800 INSTALL CELLULAR MODEMS EACH	SPV.0105.403 RELOCATE SOLAR-POWERED BLUETOOTH SENSOR EACH
CCTV-13-0101	CP-1	1966+45 'NE'	RT	1	1	1	1	1	1	1	1	1	1	1
SDS-13-0133	CP-1	1966+45 'NE'	RT	1	1	1	1	1	1	1	1	1	1	1
CCTV-13-0112	CP-2	2153+50 'NE'	RT	1	1	1	1	1	1	1	1	1	1	1
SDS-13-0134	DP-1	2174+00 'NE'	RT	1	1	1	1	1	1	1	1	1	1	1
CATEGORY 1200 SUBTOTALS				1	2	1	1	3	4	2	2	2	3	0
CATEGORY 1800														
WDS-0004	DP-1	2174+00 'NE'	RT	1	1	1	1	1	1	1	1	1	1	1
CATEGORY 1800 SUBTOTALS				0	0	0	0	0	0	0	0	0	0	1
TOTALS				1	2	1	1	3	4	2	2	2	3	1

ITS POWER CONNECTION ITEMS

ITEM ID	EQUIPMENT CODE	STATION	OFFSET	656.0200.400 ELECTRICAL SERVICE METER BREAKER PEDESTAL (CCTV-13-0112)	656.0500.400 ELECTRICAL SERVICE METER BREAKER DISCONNECT BOX (CCTV-13-0112)
CATEGORY 1200					
CCTV-13-0112	MB-1	2152+80 'NE'	RT	1	1
TOTALS					
				1	1

Addendum No. 02
ID 1007-11-71
Revised Sheet 227
January 2, 2018



Proposal Schedule of Items

Proposal ID: 20180109001 Project(s): 1007-11-71, 1007-11-76

Federal ID(s): WISC 2018030, WISC 2018031

SECTION: 0001 Contract Items

Alt Set ID: Alt Mbr ID:

Proposal Line Number	Item ID Description	Approximate Quantity and Units	Unit Price	Bid Amount
0510	657.0255 Transformer Bases Breakaway 11 1/2-Inch Bolt Circle	1.000 EACH	_____.	_____.
0512	657.0322 Poles Type 5-Aluminum	1.000 EACH	_____.	_____.
0514	670.0100 Field System Integrator 400. ITS 1007-11-71	LS	LUMP SUM	_____.
0516	670.0100 Field System Integrator 401. ITS 1007-11-76	LS	LUMP SUM	_____.
0518	670.0200 ITS Documentation 400. ITS 1007-11-71	LS	LUMP SUM	_____.
0520	670.0200 ITS Documentation 401. ITS 1007-11-76	LS	LUMP SUM	_____.
0522	671.0132 Conduit HDPE 3-Duct 2-Inch **P**	31,855.000 LF	_____.	_____.
0524	671.0232 Conduit HDPE Directional Bore 3-Duct 2-Inch **P**	1,070.000 LF	_____.	_____.
0528	673.0110 Communication Vault Type Round	18.000 EACH	_____.	_____.
0530	673.0200 Tracer Wire Marker Posts	18.000 EACH	_____.	_____.
0532	673.0225.S Install Pole Mounted Cabinet	3.000 EACH	_____.	_____.
0534	674.0300 Remove Cable	95.000 LF	_____.	_____.
0536	674.0400 Reinstall Cable	95.000 LF	_____.	_____.
0538	675.0300 Install Mounted Controller Microwave Detector Assembly	4.000 EACH	_____.	_____.
0540	677.0150 Install Camera Pole 50-FT	2.000 EACH	_____.	_____.



Proposal Schedule of Items

Proposal ID: 20180109001 Project(s): 1007-11-71, 1007-11-76

Federal ID(s): WISC 2018030, WISC 2018031

SECTION: 0001 Contract Items

Alt Set ID: Alt Mbr ID:

Proposal Line Number	Item ID Description	Approximate Quantity and Units	Unit Price	Bid Amount
0542	677.0200 Install Camera Assembly	2.000 EACH	_____.	_____.
0544	678.0100.S Install Overhead Freeway DMS Full Matrix	1.000 EACH	_____.	_____.
0546	678.0600 Install Ethernet Switches	2.000 EACH	_____.	_____.
0548	678.0800 Install Cellular Modems	3.000 EACH	_____.	_____.
0550	690.0150 Sawing Asphalt	2,861.000 LF	_____.	_____.
0552	690.0250 Sawing Concrete	2,991.000 LF	_____.	_____.
0554	715.0415 Incentive Strength Concrete Pavement	163,512.000 DOL	1.00000	163,512.00
0556	715.0502 Incentive Strength Concrete Structures	12,966.000 DOL	1.00000	12,966.00
0558	ASP.1T0A On-the-Job Training Apprentice at \$5.00/HR	3,200.000 HRS	5.00000	16,000.00
0560	ASP.1T0G On-the-Job Training Graduate at \$5.00/HR	6,000.000 HRS	5.00000	30,000.00
0562	SPV.0035 Special 001. Roadway Embankment	315,924.000 CY	_____.	_____.
0564	SPV.0035 Special 700. High Performance Concrete (HPC) Masonry Structures **P**	2,758.000 CY	_____.	_____.
0566	SPV.0060 Special 001. Baseline CPM Progress Schedule	1.000 EACH	_____.	_____.
0568	SPV.0060 Special 002. CPM Progress Schedule Updates and Accepted Revisions	18.000 EACH	_____.	_____.
0570	SPV.0060 Special 003. Removing Billboards	1.000 EACH	_____.	_____.



Proposal Schedule of Items

Proposal ID: 20180109001 Project(s): 1007-11-71, 1007-11-76

Federal ID(s): WISC 2018030, WISC 2018031

SECTION: 0001 Contract Items

Alt Set ID: Alt Mbr ID:

Proposal Line Number	Item ID Description	Approximate Quantity and Units	Unit Price	Bid Amount
0572	SPV.0060 Special 004. Test Pits	30.000 EACH	_____.	_____.
0574	SPV.0060 Special 005. Landmark Reference Monuments Special	1.000 EACH	_____.	_____.
0576	SPV.0060 Special 006. Emergency Access Gate	2.000 EACH	_____.	_____.
0578	SPV.0060 Special 007. Department Owned Field Office Equipment and Maintenance	1.000 EACH	_____.	_____.
0580	SPV.0060 Special 008. Roadway Cleanup	16.000 EACH	_____.	_____.
0582	SPV.0060 Special 009. Repair State Owned Energy Absorbing Terminal (EAT)	12.000 EACH	_____.	_____.
0584	SPV.0060 Special 200. Temporary Concrete Barrier Gate	3.000 EACH	_____.	_____.
0586	SPV.0060 Special 201. Install Department Furnished Crash Cushion Low Maintenance	2.000 EACH	_____.	_____.
0588	SPV.0060 Special 202. Repair State Owned Crash Cushion Low Maintenance	2.000 EACH	_____.	_____.
0590	SPV.0060 Special 203. Repair State Owned Crash Cushion	12.000 EACH	_____.	_____.
0594	SPV.0060 Special 401. Remove Poles Wood	1.000 EACH	_____.	_____.
0596	SPV.0090 Special 001. Furnishing Temporary Snow Fence	6,520.000 LF	_____.	_____.
0598	SPV.0090 Special 002. Installing Temporary Snow Fence	6,520.000 LF	_____.	_____.
0600	SPV.0090 Special 003. Concrete Pavement Joint Sealing	2,236.000 LF	_____.	_____.



Proposal Schedule of Items

Proposal ID: 20180109001 Project(s): 1007-11-71, 1007-11-76

Federal ID(s): WISC 2018030, WISC 2018031

SECTION: 0001 Contract Items

Alt Set ID: Alt Mbr ID:

Proposal Line Number	Item ID Description	Approximate Quantity and Units	Unit Price	Bid Amount
0602	SPV.0090 Special 004. Re-Lap Guardrail	1,620.000 LF	_____.	_____.
0604	SPV.0090 Special 005. Repair State Owned Guardrail	3,600.000 LF	_____.	_____.
0606	SPV.0090 Special 150. Compost Tube	6,860.000 LF	_____.	_____.
0608	SPV.0090 Special 200. Traffic Control Gawk Screen Furnished	1,000.000 LF	_____.	_____.
0610	SPV.0090 Special 201. Traffic Control Gawk Screen Installed	1,000.000 LF	_____.	_____.
0612	SPV.0090 Special 202. Traffic Control Glare Screen Furnished	1,408.000 LF	_____.	_____.
0614	SPV.0090 Special 203. Traffic Control Glare Screen Installed	1,408.000 LF	_____.	_____.
0616	SPV.0090 Special 204. Concrete Barrier Temporary Precast Left In Place	14,744.000 LF	_____.	_____.
0618	SPV.0090 Special 205. Maintenance and Removal of Concrete Barrier Temp Precast L.I.P. by Others	1,650.000 LF	_____.	_____.
0620	SPV.0090 Special 206. Repair State Owned Concrete Barrier Temporary Precast	1,400.000 LF	_____.	_____.
0622	SPV.0090 Special 850. Fence Chain Link Polymer-Coated 4-Ft.	115.000 LF	_____.	_____.
0624	SPV.0105 Special 001. Survey Project 1007-11-71 with Optional AMG for Conc Pavement & Base Course	LS	LUMP SUM	_____.
0626	SPV.0105 Special 002. Survey Project 1007-11-76 with Optional AMG for Conc Pavement & Base Course	LS	LUMP SUM	_____.



Proposal Schedule of Items

Proposal ID: 20180109001 Project(s): 1007-11-71, 1007-11-76

Federal ID(s): WISC 2018030, WISC 2018031

SECTION: 0001 Contract Items

Alt Set ID: Alt Mbr ID:

Proposal Line Number	Item ID Description	Approximate Quantity and Units	Unit Price	Bid Amount
0628	SPV.0105 Special 005. Removing Weigh Scale System	LS	LUMP SUM	_____.
0630	SPV.0105 Special 401. Salvage ITS Equipment	LS	LUMP SUM	_____.
0632	SPV.0105 Special 402. Salvage Roadside DMS	LS	LUMP SUM	_____.
0634	SPV.0105 Special 403. Relocate Solar-Powered Bluetooth Sensor	LS	LUMP SUM	_____.
0636	SPV.0165 Special 700. Longitudinal Grooving Bridge Deck **P**	52,904.000 SF	_____.	_____.
0638	SPV.0165 Special 850. Wall Concrete Panel Mechanically Stabilized Earth R-13-260 **P**	2,465.000 SF	_____.	_____.
0640	SPV.0165 Special 851. Wall Concrete Panel Mechanically Stabilized Earth R-13-261 **P**	1,955.000 SF	_____.	_____.
0642	SPV.0165 Special 852. Temporary Wall Wire Faced Mechanically Stabilized Earth	1,415.000 SF	_____.	_____.
0644	204.0120 Removing Asphaltic Surface Milling	6,262.000 SY	_____.	_____.
0646	416.0620 Drilled Dowel Bars	182.000 EACH	_____.	_____.
0648	416.1715 Concrete Pavement Repair SHES	56.000 SY	_____.	_____.
0650	460.7624 HMA Pavement 4 HT 58-28 V	790.000 TON	_____.	_____.
0652	608.0412 Storm Sewer Pipe Reinforced Concrete Class IV 12-Inch	29.000 LF	_____.	_____.
0654	SPV.0060 Special 205. Emergency Response To Traffic Incident Involving Conc Barrier Temp Precast	8.000 EACH	_____.	_____.



Proposal Schedule of Items

Proposal ID: 20180109001 Project(s): 1007-11-71, 1007-11-76

Federal ID(s): WISC 2018030, WISC 2018031

SECTION: 0001 Contract Items

Alt Set ID: Alt Mbr ID:

Proposal Line Number	Item ID Description	Approximate Quantity and Units	Unit Price	Bid Amount
0656	SPV.0060 Special 206. Emergency Response To Traffic Incident Involving Crash Cushion	5.000 EACH	_____.	_____.
0658	SPV.0060 Special 207. Emergency Response To Traffic Incident Involving Guardrail or EAT	5.000 EACH	_____.	_____.
0660	654.1150 Concrete Bases Camera Pole 50-FT	2.000 EACH	_____.	_____.
Section: 0001			Total:	_____.
			Total Bid:	_____.