

Wisconsin Department of Transportation

May 7, 2018

Division of Transportation Systems Development

Bureau of Project Development
4802 Sheboygan Avenue, Rm 601
P O Box 7916
Madison, WI 53707-7916

NOTICE TO ALL CONTRACTORS:

Telephone: (608) 266-1631
Facsimile (FAX): (608) 266-8459

Proposal #21: 4555-02-71
Brown County, CTH MM
Bower Creek Bridge & Approaches
CTH MM
Brown County

Letting of May 8, 2018

This is Addendum No. 01, which provides for the following:

Schedule of Items:

Revised Bid Item Quantities					
Bid Item	Item Description	Unit	Old Quantity	Revised Quantity	Proposal Total
550.0020	Pre-boring Rock or Consolidated Materials	LF	48	144	192

Plan Sheets:

Revised Plan Sheets	
Plan Sheet	Plan Sheet Title (brief description of changes to sheet)
53	B-5-436 Structure Plan: Revised the bid item 550.0020 Pre-boring Unconsolidated Materials quantity.

Schedule of Items

Attached, dated May 7, 2018, are the revised Schedule of Items Page 2.

Plan Sheets

The following 8½ x 11-inch sheets are attached and made part of the plans for this proposal:
Revised: 53

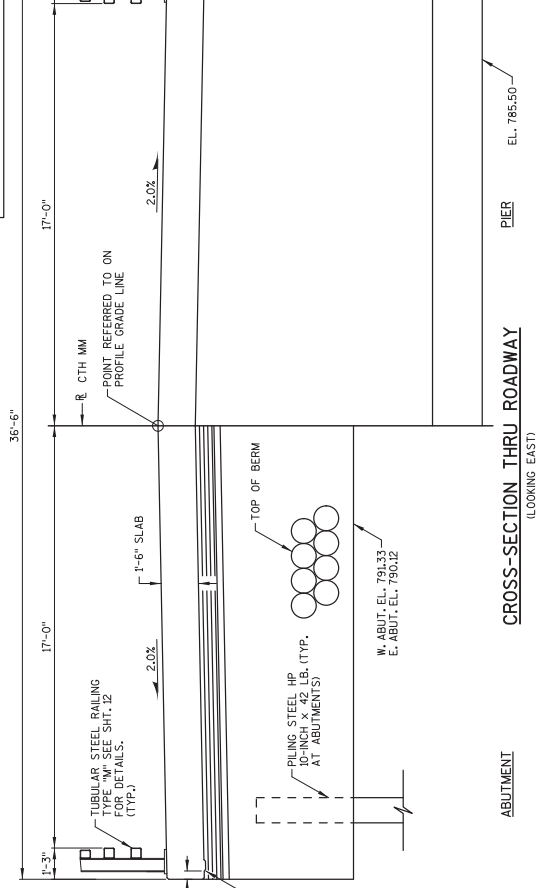
The responsibility for notifying potential subcontractors and suppliers of these changes remains with the prime contractor.

Sincerely,

Mike Coleman

Proposal Development Specialist
Proposal Management Section

END OF ADDENDUM



CROSS-SECTION THRU ROADWAY
(LOOKING EAST)

Addendum No. 01
ID 4555-02-71
Revised Sheet 53
May 7, 2018

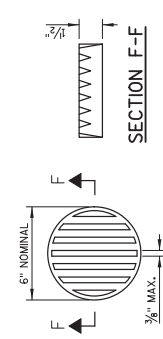
GENERAL NOTES

- DRAWINGS SHALL NOT BE SCALED.
- BAR STEEL REINFORCEMENT SHALL BE EMBEDDED 2" CLEAR UNLESS SHOWN OR NOTED OTHERWISE.
- THE SLOPE OF THE FILL IN FRONT OF THE ABUTMENTS SHALL BE COVERED WITH RIPRAP HEAVY AND GEOTEXTILE TYPE HR WITHIN THE LIMITS SHOWN ON SHEET 1, ON THE ABUTMENT SHEETS OR AS DIRECTED BY THE ENGINEER.
- THE FIRST DIGIT OF A THREE DIGIT BAR MARK AND THE FIRST TWO DIGITS OF A FOUR DIGIT BAR MARK SIGNIFY THE BAR SIZE.
- THE EXISTING STRUCTURE (P-5-106) IS A TWO SPAN PRESTRESSED CONCRETE BOX GIRDER BRIDGE, 52.3' LONG X 30.5' WIDE, TO BE REMOVED.
- ALL REQUIRED REMOVAL OF THE EXISTING SUBSTRUCTURES IS INCLUDED IN THE BID ITEM "REMOVING OLD STRUCTURE OVER WATERWAY WITH MINIMAL DEBRIS, STATION 10+00."
- SLAB FALSEWORK SHALL BE SUPPORTED ON PILES OR THE SUBSTRUCTURE UNLESS AN ALTERNATIVE METHOD IS APPROVED BY THE ENGINEER.
- EXCAVATION REQUIRED UNDER THE BID ITEM "EXCAVATION FOR STRUCTURES BRIDGES B-5-436" IS NOT USED TO BALANCE THE EARTHWORK.
- THE EXISTING STREAM BED SHALL BE USED AS THE UPPER LIMITS OF EXCAVATION AT THE PIER.
- CONCRETE POURED UNDER WATER WILL BE ALLOWED AND SHALL BE DONE IN ACCORDANCE WITH SECTION 502.3.5.3 STANDARD SPECIFICATIONS.

William C. Decker
05/04/18



05/03/2018

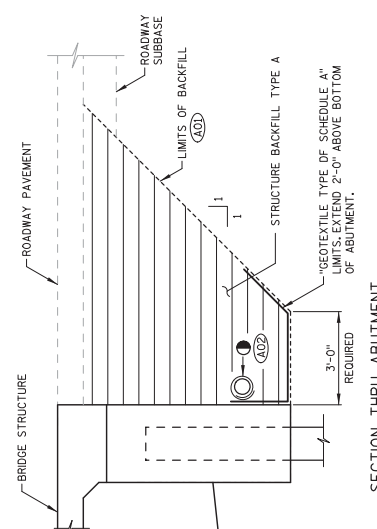


RODENT SHIELD DETAIL

DIMENSIONS ARE APPROXIMATE. THE GRATE IS SIZED TO FIT INTO A PIPE COUPLING. ORIENT SO SLOTS ARE VERTICAL.

THE RODENT SHIELD, PIPE COUPLING AND SCREWS SHALL BE NUMBERED IDENTICAL TO THE BID ITEM "PIPE UNDERDRAIN WRAPPED 6-INCH."

THE RODENT SHIELD SHALL BE A PVC GRATE SIMILAR TO THIS DETAIL. THE GRATE IS COMMERCIALY AVAILABLE AS A FLOOR TRAINER. A PIPE COUPLING IS REQUIRED FOR THE ALIGNMENT OF THE RODENT SHIELD. THE PIPE COUPLING SHALL BE FASTENED TO THE PIPE WITH TWO OR MORE NO. 10 X 1-1/2 INCH SHEET METAL SCREWS.



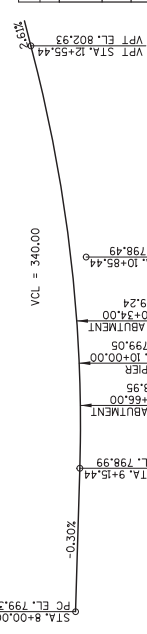
SECTION THRU ABUTMENT
(WINGWALLS SIMILAR)

BACKFILL STRUCTURE LIMITS

- THE UPPER LIMITS OF "EXCAVATION FOR STRUCTURES BRIDGES B-5-436" SHALL BE THE EXISTING GROUNDLINE.
- BACKFILL PAY LIMITS: BACKFILL BEYOND BACKFILL PAY LIMITS SHALL BE INCIDENTAL TO EXCAVATION FOR STRUCTURES. LIMITS OF EXCAVATION SHALL BE DETERMINED BY THE CONTRACTOR.
- AT THE BACKFACE OF ABUTMENT ALL VOLUME WHICH CANNOT BE PLACED BEHIND BUTTRESS SHALL BE PLACED BEHIND STRUCTURE BY THE NEW STRUCTURE SHALL BE BACKFILLED WITH STRUCTURE BACKFILL.
- EXCAVATION BELOW THE ABUTMENT AND ABUTMENT BEDDING MATERIALS REQUIRES ENGINEER APPROVAL. GEOTEXTILE SHALL BE PLACED TO THE BOTTOM OF EXCAVATION AND EXTEND 2'-0" ABOVE THE BOTTOM OF THE ABUTMENT.
- PIPE UNDERDRAIN WRAPPED (6-INCH) SLOPE 0.5% MIN. TO SUITABLE DRAINAGE. ATTACH RODENT SHIELD AT ENDS OF PIPE UNDERDRAIN. SEE DETAIL THIS SHEET.
- PLAGE PIPE UNDERDRAIN WRAPPED (6-INCH) ABOVE GROUNDWATER. MIN. INVERT = EL. 7915.5.

TOTAL ESTIMATED QUANTITIES

BID ITEM NUMBER	BID ITEM	UNIT	WEST ABUTMENT	PIER	EAST ABUTMENT	TOTALS
203.0600.0	REMOVING OLD STRUCTURE OVER WATERWAY WITH MINIMUM DEBRIS STA. 10+00	LS				1
206.1000	EXCAVATION FOR STRUCTURES BRIDGES B-5-436	LS				1
210.1500	BACKFILL STRUCTURE TYPE A	TON	167	228		395
502.0100	CONCRETE MASONRY BRIDGES	CY	30	51		81
502.3200	PROTECTIVE SURFACE TREATMENT	SY	18	23		41
505.0400	BAR STEEL REINFORCEMENT HS STRUCTURES	LB	2,720	8,310		11,030
505.0600	BAR STEEL REINFORCEMENT HS COATED STRUCTURES	LB	1,435	80		1,515
513.0601	RAILING TUBULAR TYPE M B-5-436	LF			1,435	1,435
516.0500	RUBBERIZED MEMBRANE WATERPROOFING	SY				
550.0020	PRE-BORING ROCK OR CONSOLIDATED MATERIALS	LF				
550.1000	PIILING STEEL HP 10-INCH X 42 LB	LF	120	120		240
606.0300	PIPE UNDERDRAIN WRAPPED 3-INCH	LF	20	10		30
645.0106	GEOTEXTILE TYPE DF SCHEDULE A	SY	56	56		112
645.0220	GEOTEXTILE TYPE HR	SY	240	230		470
	FILLER	SIZE				
						1/2" & 3/4"



PROFILE GRADE LINE, CTH MM

NO.	DATE	REVISION	BY
1	5/3/18	PRE-BORING ROCK OR CONSOLIDATED MATERIALS QUANTITY UPDATED.	CAB

STATE OF WISCONSIN
DEPARTMENT OF TRANSPORTATION
STRUCTURE B-5-436
KAM
KAM

CROSS SECTION & QUANTITIES
SHEET 2 OF 12
53



Proposal Schedule of Items

Proposal ID: 20180508021 Project(s): 4555-02-71

Federal ID(s): N/A

SECTION: 0001

Contract Items

Alt Set ID:

Alt Mbr ID:

Proposal Line Number	Item ID Description	Approximate Quantity and Units	Unit Price	Bid Amount
0034	502.3200 Protective Surface Treatment	364.000 SY	_____.	_____.
0036	505.0400 Bar Steel Reinforcement HS Structures	13,750.000 LB	_____.	_____.
0038	505.0600 Bar Steel Reinforcement HS Coated Structures	37,470.000 LB	_____.	_____.
0040	513.4061 Railing Tubular Type M (structure) 01. B-5-436	146.000 LF	_____.	_____.
0042	516.0500 Rubberized Membrane Waterproofing	16.000 SY	_____.	_____.
0044	520.1024 Apron Endwalls for Culvert Pipe 24-Inch	2.000 EACH	_____.	_____.
0046	520.3324 Culvert Pipe Class III-A 24-Inch	38.000 LF	_____.	_____.
0048	550.0020 Pre-Boring Rock or Consolidated Materials	192.000 LF	_____.	_____.
0050	550.1100 Piling Steel HP 10-Inch X 42 Lb	240.000 LF	_____.	_____.
0052	606.0300 Riprap Heavy	230.000 CY	_____.	_____.
0054	612.0406 Pipe Underdrain Wrapped 6-Inch	142.000 LF	_____.	_____.
0056	614.2300 MGS Guardrail 3	137.500 LF	_____.	_____.
0058	614.2500 MGS Thrie Beam Transition	158.000 LF	_____.	_____.
0060	614.2610 MGS Guardrail Terminal EAT	4.000 EACH	_____.	_____.
0062	619.1000 Mobilization	1.000 EACH	_____.	_____.
0064	624.0100 Water	21.000 MGAL	_____.	_____.

